

CE

For industrial
sliding doors



Tub

Instructions and warnings for the fitter

Istruzioni ed avvertenze per l'installatore

Instructions et recommandations pour l'installateur

Anweisungen und Hinweise für den Installateur

Instrucciones y advertencias para el instalador

Instrukcje i uwagi dla instalatora

Instructies en waarschuwingen voor de gebruiker

COMPANY
WITH QUALITY SYSTEM
CERTIFIED BY DNV
=ISO 9001/2000=

Nice

Tub

Table of contents:

page

1	Warning	2	5	Testing and commissioning	7
2	Product description and intended use	3	5.1	Testing	7
2.1	Operating limits	3	5.2	Commissioning	7
2.2	Typical system	3	6	Maintenance and disposal	8
2.3	List of cables	4	6.1	Maintenance	8
3	Installation	4	6.2	Disposal	8
3.1	Preliminary checks	4	7	Technical characteristics	8
3.2	Installation of the gear motor	5	6 Instructions and warnings for users of the TUB3500 gear motor		9
3.3	Installation of the various devices to the control unit	6			
3.4	Electrical connections	6			
4	Operating control	6			
4.1	Power supply connection	6			
4.2	Direction control	6			
4.3	Gate movement control	6			

1) Warning

This manual contains important information regarding safety. Before you start installing the components, it is important that you read all the information contained herein. Store this manual safely for future use.

Due to the dangers which may arise during both the installation and use of the TUB3500, installation must be carried out in full respect of the laws, provisions and rules currently in force in order to ensure maximum safety. This chapter provides details of general warnings. Other, more specific warnings are detailed in Chapters "3.1 Preliminary Checks" and "5 Testing and Commissioning".

⚠ According to the most recent European legislation, the production of automatic doors or gates is governed by the provisions listed in Directive 98/37/CE (Machine Directive) and, more specifically, to provisions: EN 12445, EN 12453 and EN 12635, which enable manufacturers to declare the presumed conformity of the product.

Please access "www.niceforyou.com" for further information, and guidelines for risk analysis and how to draw up the Technical Documentation.

- This manual has been especially written for use by qualified fitters. Except for the enclosed specification "Instructions and Warnings for Users of the TUB3500 gearmotor" which is to be removed by the installer, none of the information provided in this manual can be considered as being of interest to end users!
- Any use or operation of TUB3500 which is not explicitly provided for in these instructions is not permitted. Improper use may cause damage and personal injury.
- Risk analysis must be carried out before starting installation, to include the list of essential safety requisites provided for in Enclosure I of the Machine Directive, indicating the relative solutions employed.

N.B. Risk analysis is one of the documents included in the "Technical Documentation" for this automation.

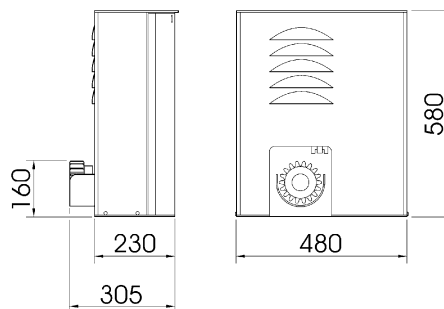
- Check whether additional devices are needed to complete the automation with TUB3500 based on the specific application requirements and dangers present. The following risks must be considered: impact, crushing, shearing, dragging, etc. as well as other general dangers.

- Do not modify any components unless such action is specified in this manual. Operations of this type are likely to lead to malfunctions. NICE disclaims any liability for damage resulting from modified products.
- During installation and use, ensure that solid objects or liquids do not penetrate inside the control unit or other open devices. If necessary, please contact the NICE customer service department; the use of TUB3500 in these conditions can be dangerous.
- The automation system must not be used until it has been commissioned as described in chapter 5: "Testing and commissioning".
- The packing materials of TUB3500 must be disposed of in compliance with local regulations.
- If a fault occurs that cannot be solved using the information provided in this manual, refer to the NICE customer service department.

- In the event that any automatic switches are tripped or fuses blown, you must identify the fault and eliminate it before resetting the switches or replacing fuses.
- Before accessing the terminals within the TUB3500, disconnect all power supply circuits, by means of the magneto-thermal switch for example on the control unit.

2) Product description and intended use

The TUB3500 is a sliding gate gear motor of significant dimension for industrial use, with built-in control unit and is also prearranged for the inclusion of NICE receivers. The gear motor, which functions electrically, can be disengaged by means of a key, thereby allowing the gate to be opened manually.



1

2.1) Operating limits

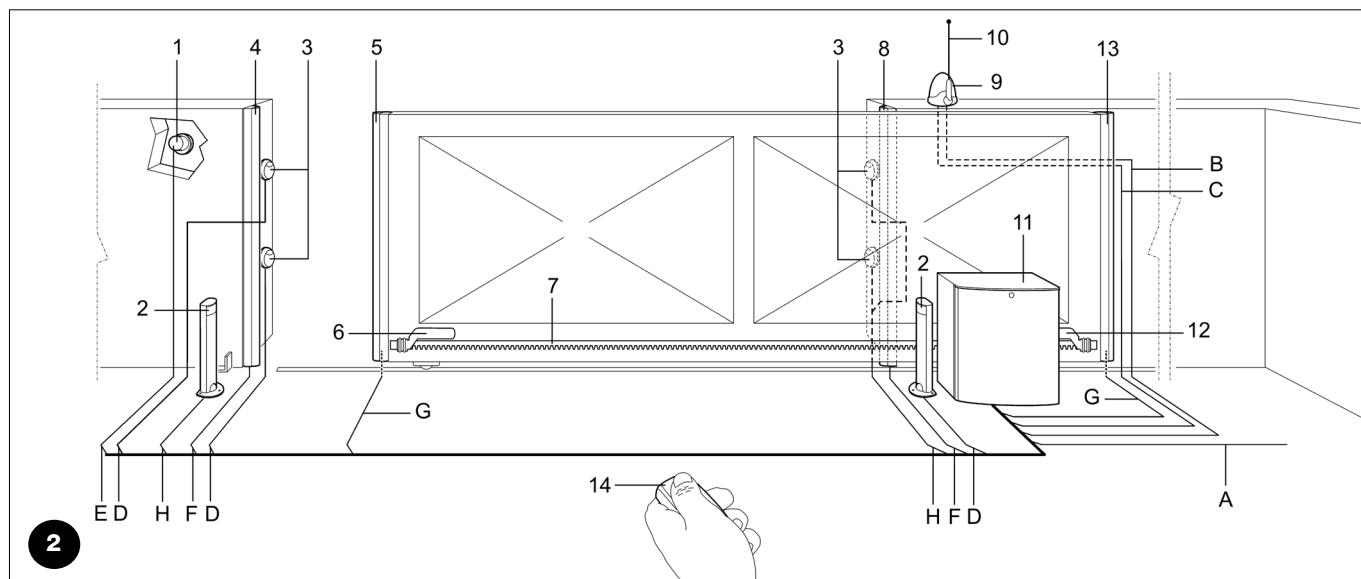
The data relating to the performance of the TUB3500 are indicated in chapter 7 "Technical characteristics" and are the only values that allow the use capabilities to be correctly evaluated. In general, TUB3500 is suitable for the automation of gates up to 3500 Kg or up to 30 m in length following that indicated in table 1.

Table 1: limits in relation to the length of the leaf

Length of leaf in metres	Maximum cycles/hour
Up to 5	30
5÷10	15
10÷15	10
15÷20	7
20÷25	6
25÷30	5

2.2) Typical system

The figure below indicates a typical sliding gate automation system using the TUB3500.



2

- | | | |
|---------------------------------|------------------------------------|--|
| 1. Key operated selector switch | 6. "Open" stop bracket | 11. Motor |
| 2. Photocell on post | 7. Rack | 12. "Closed" stop bracket |
| 3. FOTO photocells | 8. Secondary fixed edge (optional) | 13. Secondary moveable edge (optional) |
| 4. Main fixed edge (optional) | 9. Flashing light | 14. Radio transmitter |
| 5. Main moveable edge | 10. Aerial | |

2.3) List of cables

Figure 2 shows the cables needed for the connection of various devices in a typical installation; Table 2 shows the cable characteristics.

⚠ The cables used must be suitable for the type of installation. For example, an H05VV-F type cable is recommended for indoor applications or an H07RN-F if fitted externally.

Table 2: List of cables

Connection	Cable type	Maximum length allowed
A. Power line	1 - 4x1.5mm ² cable	30 m (1)
B. Flashing light	1 - 2x1.5mm ² cable	20 m
C. Aerial	1 RG58 type shielded cable	(recommended less than 5 meters)
D. Transmitter photocells	1 - 2x0.25mm ² cable	30 m (3)
E. Key operated selector switch	2 - 2x0.25mm ² cables	50 m (2)
F. Fixed edges	1 - 2x0.5mm ² cable	30 m (4) (6)
G. Moveable edges	1 - 2x0.5mm ² cable	30 m (4) (5) (6)
H. Receiver photocells	2 - 2x0.25mm ² cables	30 m (2) (3)

Note 1: Power supply cables longer than 30 m may be used provided they have a larger gauge, e.g. 4x2.5mm², and a safety earthing system is provided near the automation unit.

Note 2: A single 4x0.25mm² cable can be used instead of two 2x0.25mm² cables.

Note 3: Use shielded cables if the length exceeds 30 m, connecting the braid to earth only on the control unit side

Note 4: Several safety edges may be necessary in particular applications. See the instructions manual for the advised type of connection if there is more than one edge.

Note 5: Special devices which enable connection even when the leaf is moving must be used to connect movable edges to sliding leaves.

Note 6: The necessary number of conductors to connect the moveable and fixed edges depends on the method used to guarantee the required safety category. The example refers to the TCB65 edges connected to the TCE interface.

3) Installation

⚠ Installation of the TUB3500 must be performed by qualified technical personnel only, in compliance with current legislation, standards and regulations, and that provided in the present instructions.

3.1) Preliminary checks

The following controls must be performed before proceeding with the installation of the TUB3500:

- Check that all the materials are in excellent condition, suitable for use and that they conform to the standards currently in force.
 - Make sure that the structure of the gate is suitable for automation.
 - Check that the weight of the gate is within the maximum limit of 3500 Kg and 30 m in length.
 - Make sure that there are no points of excessive friction in the opening or closing travel of the gate
 - Make sure there is no danger of the gate derailing or exiting from its guides.
 - Make sure that the mechanical stops are sturdy enough, and that there is no risk of deformation even when the leaf hits the mechanical stop violently
 - Make sure that the gate is well balanced. It must not move by itself when it is placed in any position.
 - Make sure there is no risk of flooding in the area in which the gear motor is fixed. Mount the gear motor raised from the ground if necessary
 - Make sure that the installation area enables the release of the gear motor and that it is safe and easy to release.
 - Make sure that the mounting positions of the various devices are protected from impacts and that the mounting surfaces are sufficiently sturdy
 - Never immerse components in water or other liquids
 - Keep TUB3500 away from heat sources and naked flames; in potentially explosive atmospheres, especially acidic or saline; Situations such as these could damage TUB3500 and cause either malfunctions or dangerous situations.
- If there is an access door in the leaf, or within the movement range of the gate, make sure that it does not obstruct normal travel, if necessary mount a suitable interblock system.
 - Connect the control unit to a power supply line equipped with a safety earthing system
 - The power supply line must be protected by suitable magneto-thermal and differential devices.

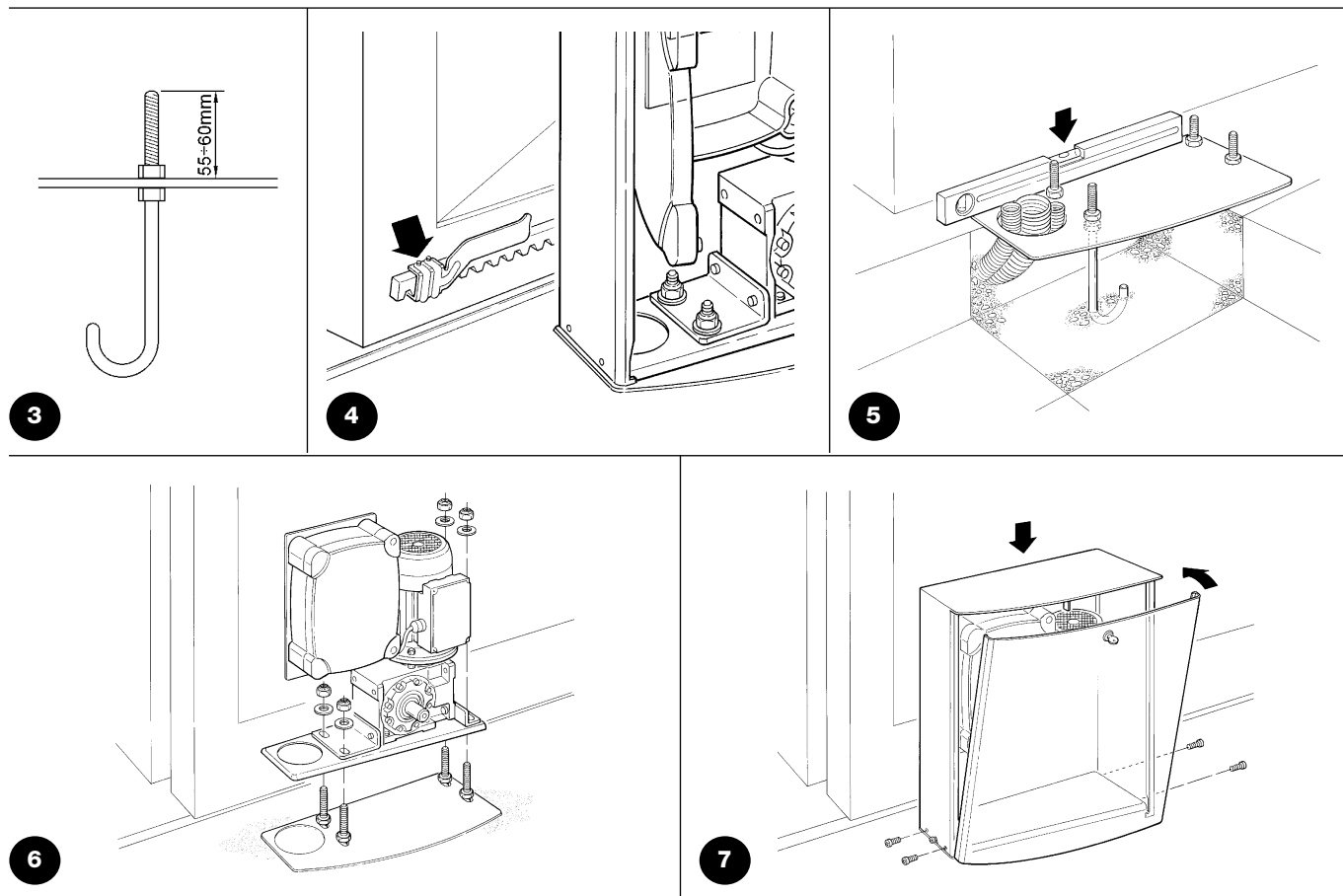
3.2) Installation of the gear motor

If a base for the gear motor already exists, fixing must be performed directly to the surface by means of expansion bolts.

If this is not so, it is necessary to:

1. Dig an adequately large foundation hole.
2. Prepare one or more conduits for the electrical cables as shown in Figure 5
3. Assemble the four clamps on the foundation plate setting one nut underneath and one on top of the plate as in fig. 3. so that the threaded section protrudes out of the plate as much as possible.
4. Pour the concrete and, before it starts to harden, set the foundation plate checking that it is parallel to the leaf and perfectly level as shown in Fig. 5. Wait for the concrete to harden completely
5. Remove the body from the gear motor following the procedure shown in Fig.7 in reverse order.
6. Place the gear motor on top of the foundation plate and make sure it is perfectly parallel to the leaf, then secure it by tightening the 4 nuts with washers to the respective clamps as shown in Fig. 6.
7. Release the pinion as shown in the "Release and manual movement" paragraph in the Chapter "Instructions and Warnings for users of the TUB3500 gear motor"
8. Open the leaf up completely and place the first piece of the rack on the pinion and check that the beginning of the rack corresponds to the beginning of the leaf. Make sure that there is at least 2÷3 mm of play between the rack and the pinion, then fasten the rack to the leaf using suitable means.
9. Slide the leaf, using the pinion as a reference point for the fastening the other elements of the rack
10. Cut away any excess of the rack
11. Open and close the gate several times and make sure that the rack is aligned with the pinion with a maximum tolerance of 10-15 mm. Moreover, check that the play of 2-3 mm between the pinion and the rack has been respected along the entire length.
12. Fix the two "Opening" and "Closing" limit switch brackets with the relative dowels to the outer sides of the rack as shown in Figure 4. Considering that the leaf will slide for a further 2÷3 cm after the limit switches have activated, the brackets should be positioned at a sufficient distance from the mechanical stops.
13. Perform the operation described in point 7 in reverse and block the pinion.
14. Secure the body to the TUB3500 as shown in Fig. 7 and ensure that the limit switch lever positioned above the pinion moves freely.
15. Close the gear motor door and make sure that the safety microswitch positioned to the right of the electric motor is activated.

⚠ In order to prevent the weight of the leaf from affecting the gear motor, it is important that there is a play of 2÷3 mm between the rack and the pinion.



3.3) Installation of the various devices to the control unit.

Perform the installation of all foreseen devices following the respective instructions. Check which devices can be connected to the TUB3500 from the "MindyA500" manual.

3.4) Electrical connections

⚠ The electrical connections must be performed by skilled and qualified personnel in strict observance of current legislation, standards and regulations with the system disconnected from electricity supply.

1. The two yellow plastic screws must be removed in order to open the control unit door and access the electronic control board of the TUB3500.

2. Cut the cable slop, positioned beneath the control unit, to the correct size so that all the electrical cables can pass through.
3. Secure the cables with a couple of cable clips.
4. To perform the electrical connections, carefully follow the control unit instructions in the "mindyA500" manual.

4) Operating control

Position the gate approximately halfway along its total travel so that it can be easily opened or closed before performing the control and starting the automation.

4.1) Power supply connection

⚠ The connection of TUB3500 to the mains must be made by qualified and experienced personnel in possession of the necessary requisites and in full respect of the laws, provisions and standards currently in force.

• As soon as power is supplied to the TUB3500 by means of the magneto-thermal switch on the power unit, check that the OK Led in the centre of the unit starts to flash and that the Photo input led is on.

- Now push the microswitch lever, which is positioned to the right of the electric motor, and check that the ALT led and the FCA and FCC limit-switch leds light.
- If this does not happen, turn the power off straight away from the control unit and check carefully the electrical connections.
- Further troubleshooting information can be found in the "mindyA500" control unit manual.

4.2) Direction control

For motors with three-phase power supply, the direction in which the motor moves depends on the connection of the 3 power supply phases, therefore it is impossible to see before hand if the motor turns in the desired direction and if the limit switches intervene in the required direction.

It is necessary to perform the controls following the procedure below to set-up the movement direction.

a. Motor direction control:

Position the gate half open and give an impulse command on the Open input of the A500 control unit (terminal 20) and check if the gate actually performs an opening movement. If the direction is correct pass to the next point, otherwise turn off the power to the

control unit straight away and invert the cables on terminals 3 and 4 of the A500 terminal block, then check the direction of the motor once again.

b. Limit-switch intervention control:

During the opening manoeuvre of the motor and before the gate is completely open, simulate the intervention of the limit-switch in the required direction and check that the manoeuvre stops, if this does not happen, turn off the power to the control unit and invert the connections of terminals 10 and 12 of the A500 terminal block, then perform the control of the limit-switch intervention once again.

4.3 Gate movement control

Once the limit-switch brackets have been secured (Fig. 4) in the rack, perform a few manoeuvres to make sure that the gate is moving correctly.

1. Control an opening manoeuvre:

- a. Make sure the gate opens with an even speed;
- b. Make sure that the limit-switch bracket (Fig.4) activate the micro-switch, stopping the leaf with a maximum movement of 2-3 cm (be careful because the time required for the leaf to stop may increase when hot).
- c. When the gate has stopped moving, check that it finished 4-5cm away from the end stop.

2. Control a closing movement: as in point 1 .

3. If the stopping distance of the gate is greater than 2-3 cm, adjust the mechanical brake as shown in paragraph "5.1 Testing".

4. Perform a number of opening and closing manoeuvres to highlight possible fitting and adjustment errors or other errors such as points of greater friction.

5. Make sure that the TUB3500 gear motor, rack and limit-switch brackets are well secured, stable and adequately resistant especially during the sharp starting and stopping movements of the gate.

5) Testing and commissioning

These are the most important stages in the automation system installation procedure in order to ensure the maximum safety levels. Testing can also be adopted as a method of periodically checking that all the various devices in the system are functioning correctly.

⚠ Testing of the entire system must be performed by qualified and experienced personnel who must establish which tests to conduct on the basis of the risks involved, and verify the compliance of the system with applicable regulations, legislation and standards, in particular with all the provisions of EN standard 12445 which establishes the test methods for automation systems for gates

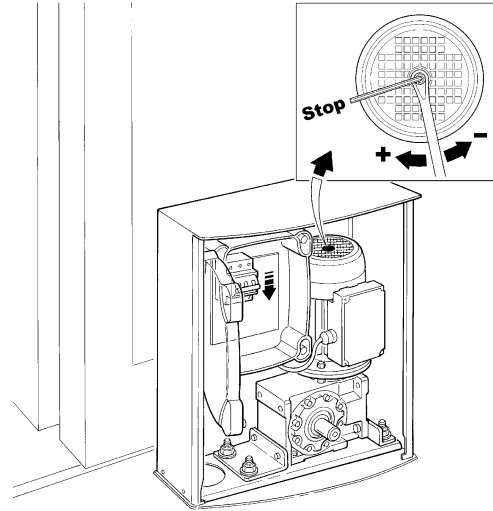
5.1) Testing

Each component of the system, e.g. safety edges, photocells, emergency stop, etc. requires a specific testing phase. We therefore recommend observing the procedures shown in the relative instruction manuals.

To test TUB3500 proceed as follows

1. Ensure that the instructions outlined in this manual and in particular in chapter 1 "Warnings" have been observed in full;
2. Using the control or stop devices (key-operated selector switch, control keys or radio transmitter) test the opening, closing and stopping of the gate and make sure that the leaves move in the intended direction
3. Check the proper operation of all the safety devices, one by one (photocells, sensitive edges, emergency stop, etc.).
4. If the dangerous situations caused by the movement of the leaf have been safeguarded by limiting the force of impact, the user must measure the impact force according to EN Standard 12445.
5. Check that the stopping distance of the gate is 2-3 cm, otherwise adjust the mechanical brake as follows (figure 8):
 - a. Give the nut on the motor shaft a half turn in a clockwise direction;
 - b. If the half turn isn't enough, turn the nut a little bit more;
 - c. Be careful not to over tighten the nut because it could completely block the electric motor.

8



⚠ Before adjusting the mechanical brake, the power supply must be turned off placing the magneto-thermal switch on the control unit in the "OFF" position.

5.2) Commissioning

Commissioning can take place only after all the testing phases of the TUB3500 and the other devices have been terminated successfully. It is not permissible to execute partial commissioning or to enable use of the system in makeshift conditions.

1. Prepare and store for at least 10 years the technical documentation for the automation, which must include at least: assembly drawing of the automation, wiring diagram, analysis of hazards and solutions adopted, manufacturer's declaration of conformity of all the devices installed (use the annexed CE declaration of conformity for TUB3500); copy of the instruction manual and maintenance schedule of the automation.
2. Post a label on the gate providing at least the following data: type of automation, name and address of manufacturer (person responsible for "commissioning"), serial number, year of manufacture and "CE" marking.
3. Post a permanent label or sign near the gate detailing the operations for the release and manual manoeuvre.
4. Prepare the declaration of conformity of the automation system and deliver it to the owner
5. Prepare the "Installation instructions and warnings" of the automation system and deliver it to the owner
6. Prepare the maintenance schedule of the automation system and deliver it to the owner; it must provide all directions regarding the maintenance of the single automation devices.
7. Before commissioning the automation system inform the owner in writing regarding dangers and hazards that are still existing (e.g. in the "Installation instructions and warnings").

6) Maintenance and disposal

This chapter provides information about how to draw-up a maintenance schedule, and the disposal of the TUB3500.

6.1) Maintenance

The automation must be subjected to regular maintenance, in order to guarantee it lasts and to maintain its level of safety.

⚠ The maintenance operations must be performed in strict compliance with the safety directions provided in this manual and according to the applicable legislation and standards.

If other devices are present, follow the directions provided in the corresponding maintenance schedule.

1. TUB3500 requires scheduled maintenance work every 6 months or 10,000 manoeuvres (max.) after the previous maintenance:
2. Disconnect all power supplies

3. Check for any deterioration of the components which form the automation, paying particular attention to erosion or oxidation of the structural parts. Replace any parts which are below the required standard.
4. Check the wear and tear on the moving parts: pinion, rack and the leaf components; if necessary replace them.
5. Connect the electric power sources up again, and carry out all the test and checks foreseen in Paragraph "5.1 Testing".

6.2) Disposal

TUB3500 is constructed of various types of materials, some of which can be recycled: steel, aluminium, plastic, electric cables; while others must be disposed of.

⚠ Some electronic components may contain polluting substances; do not pollute the environment. Enquire about the recycling or disposal systems available in compliance with regulations locally in force.

1. Disconnect the power supply of the automation system
2. Disassemble all the devices and accessories, following in reverse order the procedures described in chapter 3 "Installation".

3. Wherever possible, separate any parts which can or must be recycled or disposed of in different ways, e.g. metal parts must be disposed of separately from plastic ones, as must the electronic cards etc.
4. Sort the various materials and consign them to local licensed firms for recovery and disposal.

7) Technical characteristics

Nice S.p.a., in order to improve its products, reserves the right to modify their technical characteristics at any time without prior notice. In any case, the manufacturer guarantees their functionality and fitness for the intended purposes. All the technical characteristics refer to a room temperature of 20°C (±5°C).

Technical characteristics: TUB3500

Type	Electromechanical self-braking gear motor for the automatic movement of sliding gates for industrial use, complete with electronic control unit
Pinion	Z= 18; Module =6; Pitch =18.8; Pitch diameter =108mm
Peak thrust	418Nm; corresponds to the ability to start a leaf moving with a maximum static friction of 7740N
Nominal torque	190Nm; corresponds to the ability to keep a leaf with a dynamic friction max. 3520N moving.
Nominal torque speed	0.167m/s (10m/min)
Maximum frequency of operating cycles	200 cycles/day
Maximum continuous operating time	30 minutes (the control unit foresees a maximum operation time of 120 seconds which can be modified to 210 seconds).
Operating limits	TUB3500 is generally capable of automating gates up to 3500 Kg in weight and 30 m in length.
Power supply	Three-phase 400V ac +/-10%; 50Hz.
Max. absorbed power	550 W
Insulation class	1 (a safety earthing system is required)
Operating temperature	-20°C ÷ 50°C
Use in particularly acidic or saline atmospheres or potentially explosive	No
Protection level	IP 44
Dimension and weight	580X480X240; 60Kg

Other technical characteristics are indicated in the A500 control unit instructions

Congratulations on choosing a Nice product for your automation system!

Nice S.p.A. produces components for automating gates, doors, shutters and awnings: gear motors, control units, radio control units, flashing lights, photocells and accessories.

Nice only uses first rate materials and production processes and constantly develops innovative technical, aesthetic and ergonomic solutions in order to make its products as simple to use as possible: your fitter will certainly have chosen the most suitable article for your requirements from the large range of Nice products. Nice however, is not the producer of your automated system as this is the result of a process of analysis, evaluation, choice of materials and installation performed by your fitter.

Each automated system is unique and only your fitter has the experience and professionalism required to create a system that is tailor-made to your requirements, featuring long-term safety and reliability, and, above all, professionally installed and compliant with current regulations.

An automated system is handy to have as well as being a valid security system. Just a few, simple operations are required to ensure it lasts for years.

Even if your automated system satisfies regulatory safety levels, this does not eliminate "residue risks", that is, the possibility of dangerous situations being generated, usually due to irresponsible or incorrect use. For this reason we would like to give you some suggestions on how to avoid these risks:

- **Before using your automated system** for the first time, ask your fitter to explain how residue risks can arise and spend a few minutes reading the **instructions and warnings for the user** handbook that the fitter will have given you. Keep this manual for future use and, if you should ever sell your automated system, hand it over to the new owner.

- **Your automated system is a machine which carries out your commands to the letter;** irresponsible or incorrect use may cause it to become dangerous: do not move the automated system if animals or objects are in its working radius.

- **Children:** an automated system ensures a high level of safety as it always offers reliable and safe operation and its detection systems stop it from moving in the presence of people or objects. However, children should not be allowed to play near it. Do not let them accidentally use the system by leaving the remote control unit within their reach: **it is not a toy!**

- **Faults.** If you notice any abnormal behaviour, disconnect the system from the electricity supply immediately and perform the manual release operation. Do not attempt to make repairs yourself but call in your fitter: in the meantime the system can work as a non-automated gate once the gear motor has been released as described further on.

- **Maintenance.** Just like all machines, your automated system requires periodic maintenance to ensure it works as long as possible and in total safety. Agree on a routine maintenance plan with your fitter; Nice recommends a visit once every six months for normal residential use but this period can vary depending on how often the system is used. All controls, maintenance work or repairs may only be carried out by qualified personnel.

- Do not modify the system or its programming and adjustment parameters even if you think you can do it: your fitter is responsible for this.

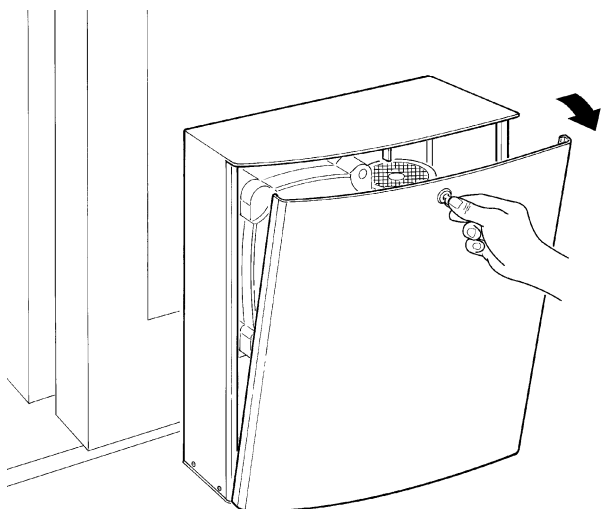
- Final testing, routine maintenance and any repairs must be documented by the fitter and such documents kept by the owner of the system.

- **Disposal.** At the end of the life of the automatic system, make sure that it is demolished by qualified personnel and that the materials are recycled or disposed of according to local regulations.

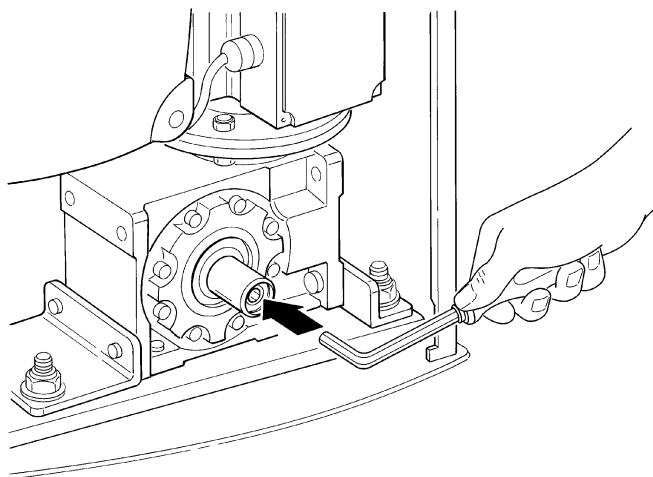
- **In case of breakage** or during a power failure. While waiting for your fitter to call (or power to come on again if the system does not have buffer batteries), the system can be used just like any other manual opening system. To do this, perform the manual release operation: this can be done by the user and Nice has made it as easy as possible, without the need for tools or physical effort.

Manual movement and release: before carrying out this operation **please note** that release can only occur when the leaf is stationary.

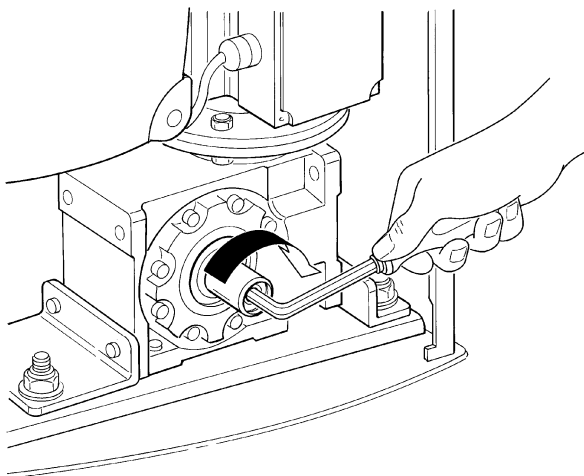
1. Open the TUB3500 door with the supplied key figure 9.
2. Take the hexagonal key and insert it into the shaft figure 10.
3. Unscrew the screw inside the shaft **completely** as shown in figure 11.
4. Remove the hexagonal key and close the TUB3500 door.
5. Manually manoeuvre the leaf as shown in figure 12.



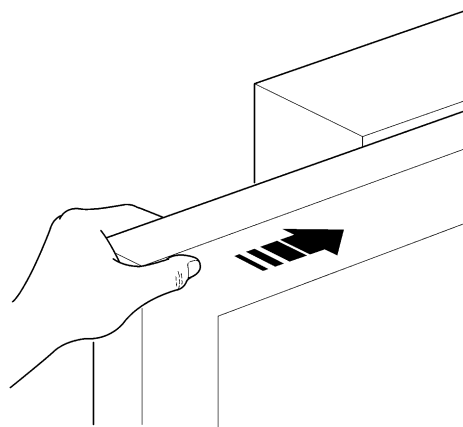
9



10



11



12

To block: follow the same operations in reverse order

If a fault occurs the automation must be repaired as soon as possible.

Are you satisfied? If you wish to add a new automated system to your house, contact your fitter and we at Nice will provide the advice of a specialist, the most developed products on the market, leading-edge operativeness and maximum compatibility.

Thank you for reading these suggestions and we trust you are fully satisfied with your new system: please contact your fitter for all your current or future requirements.

Tub

Indice		pag.
1	Avvertenze	12
2	Descrizione del prodotto e destinazione d'uso	13
2.1	Limiti d'impiego	13
2.2	Impianto tipico	13
2.3	Elenco cavi	14
3	Installazione	14
3.1	Verifiche preliminari	14
3.2	Fissaggio del motoriduttore	15
3.3	Installazione dei vari dispositivi alla centrale	16
3.4	Collegamenti elettrici	16
4	Verifica del funzionamento	16
4.1	Allacciamento dell'alimentazione	16
4.2	Verifica della direzione	16
4.3	Verifica movimento del cancello	16
5	Collaudo e messa in servizio	17
5.1	Collaudo	17
5.2	Messa in servizio	17
6	Manutenzione e smaltimento	18
6.1	Manutenzione	18
6.2	Smaltimento	18
7	Caratteristiche tecniche	18
	Istruzioni ed avvertenze destinate all'utilizzatore del motoriduttore TUB3500	19

1) Avvertenze

Questo manuale di istruzioni contiene importanti informazioni riguardanti la sicurezza per l'installazione, è necessario leggere tutte le istruzioni prima di procedere all'installazione. Conservare con cura questo manuale anche per utilizzi futuri.

Considerando i pericoli che si possono verificare durante l'installazione e l'uso di TUB3500, per la massima sicurezza è necessario che l'installazione avvenga nel pieno rispetto di leggi, norme e regolamenti. In questo capitolo saranno riportate avvertenze di tipo generico; altre importanti avvertenze sono presenti nei capitoli "3.1 Verifiche preliminari"; "5 Collaudo e messa in servizio".

▲ Secondo la più recente legislazione europea, la realizzazione di una porta o cancello automatico ricade in quanto previsto dalla Direttiva 98/37/CE (Direttiva Macchine) e nel particolare, alle norme: EN12445; EN12453 ed EN12635, che consentono di dichiarare la presunzione di conformità.

Ulteriori informazioni, linee guida all'analisi dei rischi ed alla realizzazione del Fascicolo Tecnico, sono disponibili su: "www.niceforyou.com".

- Il presente manuale è destinato solamente al personale tecnico qualificato per l'installazione. Salvo lo specifico allegato da staccare a cura dell'installatore "Istruzioni ed avvertenze destinate all'utilizzatore del motoriduttore TUB3500", nessun'altra informazione contenuta nel presente fascicolo può essere considerata d'interesse per l'utilizzatore finale!
- L'uso di TUB3500 diverso da quanto previsto in queste istruzioni è vietato; usi impropri possono causare pericoli o danni a persone e cose.
- Prima di iniziare l'installazione è necessario eseguire l'analisi dei rischi che comprende l'elenco dei requisiti essenziali di sicurezza previsti nell'allegato I della Direttiva Macchine, indicando le relative soluzioni adottate.

Si ricorda che l'analisi dei rischi è uno dei documenti che costituiscono il "fascicolo tecnico" dell'automazione.

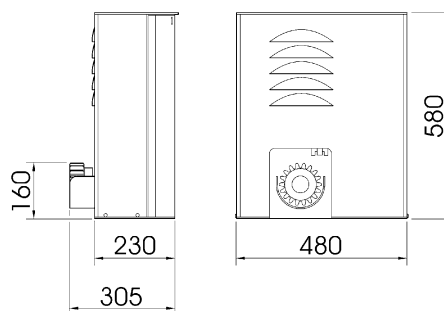
- Verificare la necessità di ulteriori dispositivi per completare l'automazione con TUB3500 in base alla specifica situazione d'impiego ed ai pericoli presenti; devono essere considerati ad esempio i rischi d'impatto, schiacciamento, cesoiamento, convogliamento, ecc., ed altri pericoli in genere.

- Non eseguire modifiche su nessuna parte se non previste nelle presenti istruzioni; operazioni di questo tipo possono solo causare malfunzionamenti; NICE declina ogni responsabilità per danni derivati da prodotti modificati.
- Durante l'installazione e l'uso evitare che parti solide o liquidi possano penetrare all'interno della centrale e di altri dispositivi aperti; eventualmente rivolgersi al servizio di assistenza NICE; l'uso di TUB3500 in queste situazioni può causare situazioni di pericolo.
- L'automatismo non può essere utilizzato prima di aver effettuato la messa in servizio come specificato nel capitolo: "5 Collaudo e messa in servizio".
- Il materiale dell'imballaggio di TUB3500 deve essere smaltito nel pieno rispetto della normativa locale.

- Nel caso di guasto non risolvibile facendo uso delle informazioni riportate nel presente manuale, interpellare il servizio di assistenza NICE.
- Qualora si verificano interventi di interruttori automatici o di fusibili, prima di ripristinarli è necessario individuare ed eliminare il guasto.
- Prima di accedere ai morsetti interni di TUB3500 scollegare tutti i circuiti di alimentazione; ad esempio utilizzando l'interruttore magnetotermico presente sulla centrale.

2) Descrizione del prodotto e destinazione d'uso

TUB3500 è un motoriduttore per cancelli scorrevoli di grandi dimensioni per uso industriale, con centrale incorporata e predisposta per l'inserimento dei ricevitori NICE. Funziona mediante energia elettrica, in caso di mancanza di alimentazione elettrica, è possibile effettuare lo sblocco del motoriduttore mediante apposita chiave e muovere manualmente il cancello.



1

2.1) Limiti d'impiego

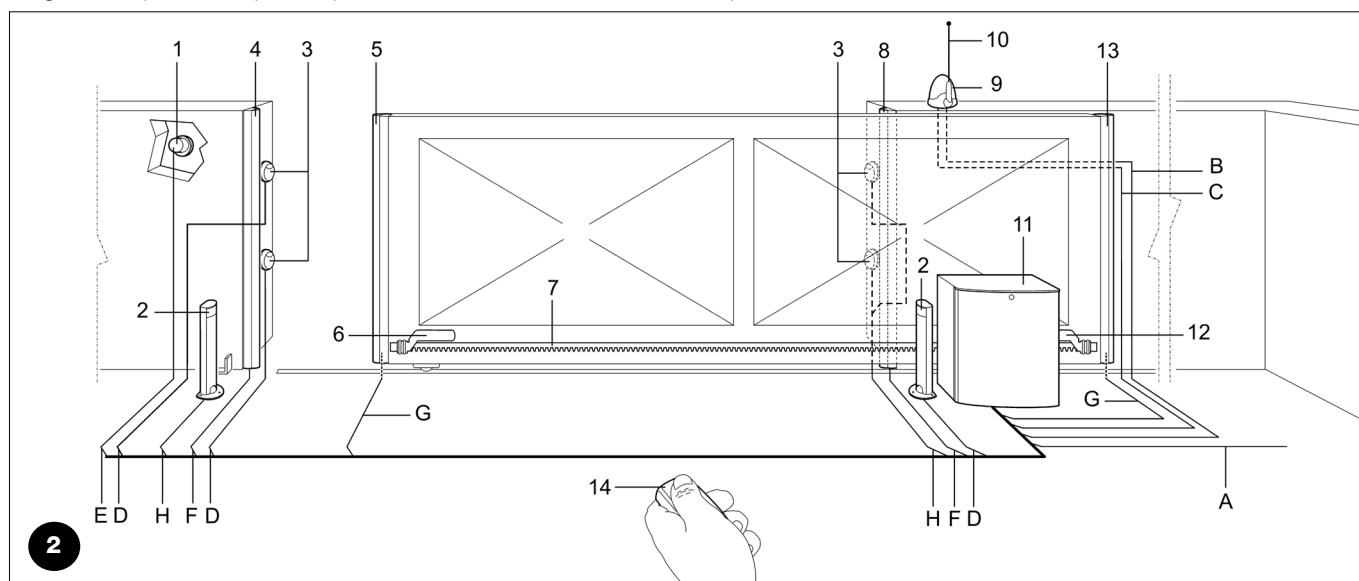
I dati relativi alle prestazioni di TUB3500 sono riportati nel capitolo "7 Caratteristiche tecniche" e sono gli unici valori che consentono la corretta valutazione dell'idoneità all'uso. Generalmente TUB3500 è in grado di automatizzare cancelli con peso fino a 3500Kg oppure lunghezza fino a 30m secondo quanto riportato nelle tabelle N°1.

Tabella N°1: limiti in relazione alla lunghezza dell'anta

Lunghezza anta metri	Cicli/ora massimi
Fino a 5	30
5÷10	15
10÷15	10
15÷20	7
20÷25	6
25÷30	5

2.2) Impianto tipico

In figura 2 è riportato l'impianto tipico dell'automazione di un cancello di tipo scorrevole utilizzando TUB3500.



2

- | | | |
|-------------------------------------|---------------------------------------|---|
| 1. Selettore a chiave | 6. Staffa di finecorsa "Aperto" | 11. Motore |
| 2. Fotocellule su colonnina | 7. Cremagliera | 12. Staffa di finecorsa "Chiuso" |
| 3. Fotocellule FOTO | 8. Bordo secondario fisso (opzionale) | 13. Bordo secondario mobile (opzionale) |
| 4. Bordo primario fisso (opzionale) | 9. Lampeggiante | 14. Radio trasmettitore |
| 5. Bordo primario mobile | 10. Antenna | |

2.3) Elenco cavi

Nell'impianto tipico di figura 2 sono indicati anche i cavi necessari per i collegamenti dei vari dispositivi; in tabella N°2 sono indicate le caratteristiche dei cavi.

⚠ I cavi utilizzati devono essere adatti al tipo di installazione; ad esempio si consiglia un cavo tipo H05VV-F per posa in ambienti interni oppure H07RN-F se posato all'esterno.

Tabella N°2 : elenco cavi

Collegamento	Tipo cavo	Lunghezza massima consentita
A. Linea elettrica di alimentazione	N° 1 cavo 4x1,5mm ²	30 m (1)
B. Lampeggiante	N° 1 cavo 2x1,5mm ²	20 m
C. Antenna	N° 1 cavo schermato tipo RG58	(consigliato minore di 5 metri)
D. Fotocellule trasmettitore	N° 1 cavo 2x0,25mm ²	30 m (3)
E. Selettore a chiave	N° 2 cavi 2x0,25mm ²	50 m (2)
F. Bordi fissi	N° 1 cavo 2x0,5mm ²	30 m (4) (6)
G. Bordi mobili	N° 1 cavo 2x0,5mm ²	30 m (4) (5) (6)
H. Fotocellule ricevitore	N° 2 cavi 2x0,25mm ²	30 m (2) (3)

Nota 1: se il cavo di alimentazione è più lungo di 30 m occorre un cavo con sezione maggiore, ad esempio 4x2,5mm² ed è necessaria una messa a terra di sicurezza in prossimità dell'automazione.

Nota 2: i due cavi 2x0,25mm² possono essere sostituiti da un solo cavo 4x0,25mm².

Nota 3: usare cavetti schermati se la lunghezza supera i 30 m collegando la calza a terra solo dal lato della centrale.

Nota 4: in particolari applicazioni si può rendere necessario l'utilizzo di più bordi sensibili. Se presente più di un bordo vedere il manuale di istruzioni per il tipo di collegamento consigliato.

Nota 5: per il collegamento dei bordi mobili su ante scorrevoli occorre utilizzare opportuni dispositivi che permettono la connessione anche con l'anta in movimento.

Nota 6: il numero di conduttori necessari per il collegamento dei bordi mobili o fissi dipende dalla tecnica usata per garantire la categoria di sicurezza richiesta. L'esempio si riferisce ai bordi TCB65 collegati alle interfacce TCE.

3) Installazione

⚠ L'installazione di TUB3500 deve essere effettuata solo da personale tecnico qualificato, nel rispetto di leggi, norme e regolamenti e di quanto riportato nelle presenti istruzioni.

3.1) Verifiche preliminari

Prima di procedere con l'installazione di TUB3500 è necessario eseguire questi controlli:

- Verificare che tutto il materiale da utilizzare sia in ottimo stato, adatto all'uso e conforme alle norme.
- Verificare che la struttura del cancello sia adatta ad essere automatizzata.
- Verificare che il peso del cancello rientri nel limite massimo di 3500 Kg e 30 mt di lunghezza.
- Verificare che in tutta la corsa del cancello, sia in chiusura che in apertura, non ci siano punti con maggiore attrito.
- Verificare che non vi sia pericolo di deragliamento dell'anta e che non ci siano rischi d'uscita dalle guide
- Verificare la robustezza degli arresti meccanici di oltrecorsa controllando che non vi siano deformazioni anche se l'anta dovesse sbattere con forza sull'arresto.
- Verificare che l'anta sia in equilibrio cioè non deve muoversi se lasciata ferma in una qualsiasi posizione.
- Verificare che la zona di fissaggio del motoriduttore non sia soggetta ad allagamenti; eventualmente prevedere il montaggio del motoriduttore adeguatamente sollevato da terra.
- Verificare che la zona di fissaggio del motoriduttore permetta lo sblocco ed una manovra manuale facile e sicura.
- Verificare che i punti di fissaggio dei vari dispositivi siano in zone protette da urti e le superfici siano sufficientemente solide.
- Evitare che le parti dell'automatismo possano venir immerse in acqua o in altre sostanze liquide.
- Non porre TUB3500 vicino a fiamme o fonti di calore; in atmosfere potenzialmente esplosive, particolarmente acide o saline; questo può danneggiare TUB3500 ed essere causa di malfunzionamenti o situazioni di pericolo.
- Nel caso sia presente una porta di passaggio interna all'anta oppure una porta sull'area di movimento dell'anta, occorre assicurarsi che non intralci la normale corsa ed eventualmente provvedere con un opportuno sistema di interblocco.
- Collegare la centrale ad una linea di alimentazione elettrica dotata di messa a terra di sicurezza.
- La linea di alimentazione elettrica deve essere protetta da un adeguato dispositivo magnetotermico e differenziale.

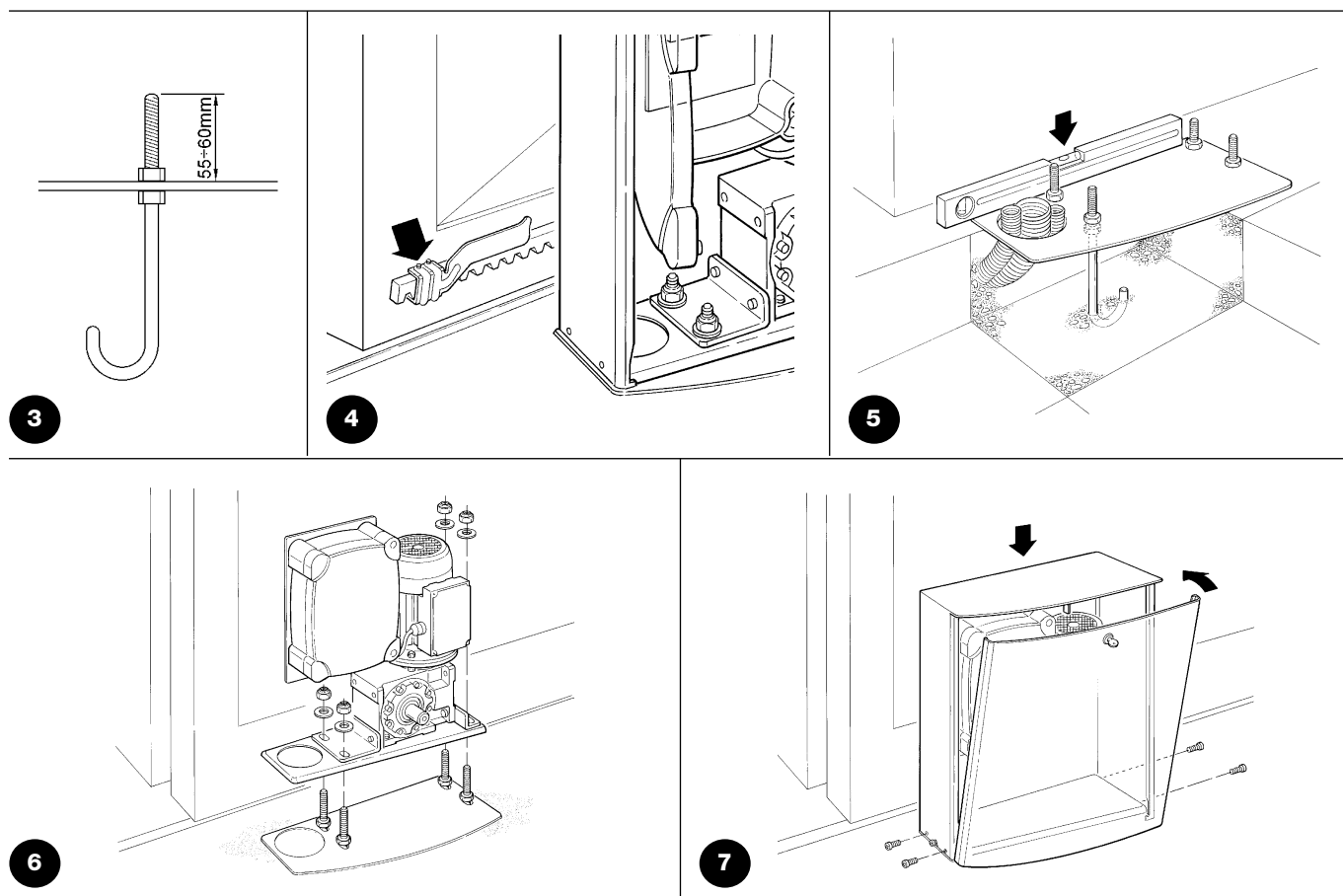
3.2) Fissaggio del motoriduttore

Se la superficie di appoggio è già esistente il fissaggio del motoriduttore dovrà avvenire direttamente sulla superficie utilizzando adeguati mezzi ad esempio attraverso tasselli ad espansione.

Altrimenti, per fissare il motoriduttore:

1. Eseguire uno scavo di fondazione di adeguate dimensioni.
2. Predisporre uno o più tubi per il passaggio dei cavi elettrici come in Figura 5.
3. Assemblare le 4 zanche sulla piastra di fondazione ponendo un dado sotto ed uno sopra alla piastra come in figura 3 in modo che la parte filettata sporga il più possibile dalla piastra.
4. Effettuare la colata di calcestruzzo e, prima che inizi la presa, porre la piastra di fondazione; verificare che sia parallela all'anta e perfettamente in bolla come in fig.5. Attendere la completa presa del calcestruzzo.
5. Togliere la scocca al motoriduttore eseguendo l'operazione inversa a quella rappresentata in figura 7.
6. Appoggiare sopra alla piastra di fondazione il motoriduttore e posizionarlo perfettamente parallelo all'anta poi fissarlo con forza alle 4 zanche con i 4 dadi e le rispettive rondelle in dotazione come in figura 6.
7. Sbloccare il pignone come indicato nel paragrafo "Sblocco e movimento manuale" sul capitolo "Istruzioni ed avvertenze destinate all'utilizzatore del motoriduttore TUB3500"
8. Aprire completamente l'anta, appoggiare sul pignone il primo tratto di cremagliera e verificare che l'inizio della cremagliera corrisponda all'inizio dell'anta. Verificare che tra pignone e cremagliera vi sia un gioco di 2÷3 mm, quindi fissare con mezzi adeguati la cremagliera sull'anta.
9. Far scorrere l'anta ed utilizzare sempre il pignone come riferimento per fissare gli altri elementi della cremagliera.
10. Tagliare l'ultimo tratto di cremagliera per la parte eccedente.
11. Provare a muovere l'anta varie volte in apertura e chiusura e verificare che la cremagliera scorra allineata sul pignone con un disallineamento massimo di 10-15 mm e che per tutta la lunghezza sia stato rispettato il gioco di 2-3mm tra pignone e cremagliera.
12. Fissare con i relativi grani le staffe di finecorsa di "Apertura" e di "Chiusura" ai lati estremi della cremagliera come in figura 4. Occorre considerare che quando intervengono i finecorsa, l'anta si muoverà per altri 2÷3 cm; è consigliabile quindi porre le staffe di finecorsa con opportuno margine sugli arresti meccanici.
13. Eseguire l'operazione inversa a quella eseguita nel punto 7 e bloccare il pignone.
14. Fissare la scocca a TUB3500 come indicato in figura 7 ed assicurarsi che la levetta del finecorsa posta sopra al pignone si muova liberamente.
15. Chiudere la porta del motoriduttore ed assicurarsi che sia azionato il microinterruttore di sicurezza posto alla destra del motore elettrico.

⚠ Per evitare che il peso dell'anta possa gravare sul motoriduttore è importante che tra cremagliera e pignone ci sia un gioco di 2÷3 mm.



3.3) Installazione dei vari dispositivi alla centrale.

Effettuare l'installazione di tutti i dispositivi previsti seguendo le rispettive istruzioni. Verificare nel manuale "mindyA500" i dispositivi che possono essere collegati a TUB3500.

3.4) Installazione dei vari dispositivi alla centrale.

⚠ Tutti i collegamenti elettrici devono essere eseguiti in assenza di tensione all'impianto e da personale esperto, qualificato, in possesso dei requisiti richiesti e nel pieno rispetto di leggi, norme e regolamenti.

1. Per aprire la porta della centrale ed accedere alla scheda elettronica di controllo di TUB3500 occorre togliere le 2 viti in plastica gialle.

2. Tagliare alla giusta misura i passacavi posti sotto alla centrale e far passare tutti i cavi elettrici.
3. Bloccare tutti i cavi con un paio di fascette bloccacavi.
4. Seguire con attenzione le istruzioni della centrale nel manuale "mindyA500" per eseguire i collegamenti elettrici.!

4) Verifica del funzionamento

Prima di iniziare la fare di verifica ed avviamento dell'automazione è consigliabile porre l'anta a metà corsa circa in modo che sia libera di muoversi sia in apertura che in chiusura.

4.1) Allacciamento dell'alimentazione

⚠ L'allacciamento dell'alimentazione a TUB3500 deve essere eseguito da personale esperto, qualificato, in possesso dei requisiti richiesti e nel pieno rispetto di leggi, norme e regolamenti.

• Non appena viene fornita alimentazione a TUB3500 armando il magnetotermico presente sulla centrale elettrica verificare che il led OK posto al centro della centrale inizi a lampeggiare e che il led dell'ingresso Foto sia acceso.

- Ora premere la levetta del microinterruttore posizionato alla destra del motore elettrico e verificare che si accendano anche i led di ALT e dei finecorsa FCA e FCC.
- Se tutto questo non avviene occorre spegnere immediatamente l'alimentazione alla centrale e controllare con maggiore attenzione i collegamenti elettrici.
- Altre informazioni utili per la ricerca e la diagnosi dei guasti sono presenti nel manuale della centrale "mindyA500".

4.2) Verifica della direzione

Con l'alimentazione del motore di tipo trifase, la direzione di movimento del motore dipende dal collegamento delle 3 fasi di alimentazione, quindi non è possibile prevedere in anticipo se il motore giri dalla parte richiesta e se i finecorsa intervengono nella direzione di movimento richiesta.

Per la messa a punto della direzione del movimento è necessario effettuare le verifiche seguendo la procedura sotto descritta.

a. Verifica direzione motore:

Posizionare il cancello a metà della corsa quindi dare un impulso di comando sull'ingresso di Apre della centrale A500 (morsetto N°20) e verificare che il cancello esegua effettivamente una manovra nella direzione di apertura. Se la direzione risulta corret-

ta passare al punto seguente, altrimenti togliere immediatamente alimentazione alla centrale ed invertire il collegamento dei cavi sui morsetti 3 e 4 della morsettiera dell' A500, quindi ripetere nuovamente la verifica della direzione del motore.

b. Verifica intervento finecorsa:

Durante il movimento in apertura del motore prima che il cancello arrivi all'apertura totale simulare l'intervento del finecorsa nella direzione richiesta e verificare che la manovra si arresti. Se questo non avviene togliere immediatamente alimentazione alla centrale ed invertire il collegamento dei morsetti 10 e12 della morsettiera dell' A500, quindi ripetere nuovamente la verifica dell'intervento dei finecorsa.

4.3 Verifica movimento del cancello

Dopo aver fissato correttamente le staffe di finecorsa (Figura 4) nella cremagliera è consigliabile effettuare alcune manovre per verificare il corretto movimento del cancello.

1. Comandare una manovra in apertura:

- a. verificare che l'apertura del cancello avvenga a velocità costante;
- b. Verificare che la staffa di finecorsa (figura 4) vada ad azionare il microinterruttore arrestando l'anta e permettendone uno spostamento massimo di altri 2-3cm (fare attenzione perché col caldo il tempo d'arresto dell'anta potrebbero aumentare).
- c. Quando l'anta è ferma verificare che il cancello si sia arrestato a 4-5cm dalla sua battuta d'arresto.

2. Comandare una manovra in chiusura: come punto 1.

3. Nel caso lo spazio d'arresto dell'anta sia superiore ai 2÷3 cm regolare il freno meccanico come indicato nel paragrafo "5.1 Collaudo".
4. Effettuare varie manovre di apertura e chiusura con lo scopo di evidenziare eventuali difetti di montaggio e regolazione o altre anomalie come ad esempio punti con maggior attrito.

5. Verificare che il fissaggio del motoriduttore TUB3500, della cremagliera e delle staffe di finecorsa siano solidi, stabili ed adeguatamente resistenti anche durante le brusche partenze ed arresti del cancello.

5) Collaudo e messa in servizio

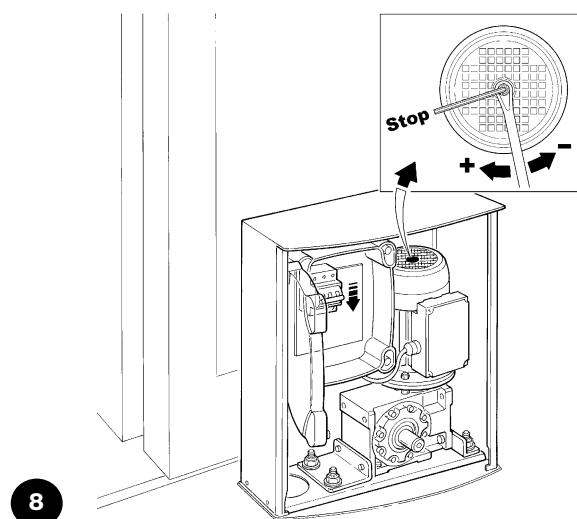
Queste sono le fasi più importanti nella realizzazione dell'automazione al fine di garantire la massima sicurezza. Il collaudo può essere usato anche come verifica periodica dei dispositivi che compongono l'automatismo.

⚠ Il collaudo dell'intero impianto deve essere eseguito da personale esperto e qualificato che deve farsi carico delle prove richieste, in funzione del rischio presente e di verificare il rispetto di quanto previsto da leggi, normative e regolamenti, ed in particolare tutti i requisiti della norma EN12445 che stabilisce i metodi di prova per la verifica degli automatismi per cancelli.

5.1) Collaudo

Ogni singolo elemento dell'automatismo, ad esempio bordi sensibili, fotocellule, arresto di emergenza, ecc. richiede una specifica fase di collaudo; per questi dispositivi si dovranno eseguire le procedure riportate nei rispettivi manuali istruzioni. Per il collaudo di TUB3500 eseguire la seguente sequenza di operazioni:

1. Verificare che sia stato rispettato rigorosamente tutto quanto previsto nel presente manuale ed in particolare nel capitolo "1 Avvertenze";
2. Utilizzando i dispositivi di comando o arresto previsti (selettore a chiave, pulsanti di comando o trasmettitori radio), effettuare delle prove di apertura, chiusura ed arresto del cancello e verificare che il comportamento corrisponda a quanto previsto.
3. Verificare uno ad uno il corretto funzionamento di tutti i dispositivi di sicurezza presenti nell'impianto (fotocellule, bordi sensibili, arresto di emergenza, ecc.).
4. Se le situazioni pericolose provocate dal movimento dell'anta sono state salvaguardate mediante la limitazione della forza d'impatto si deve eseguire la misura della forza secondo quanto previsto dalla norma EN 12445.
5. "Verificare che lo spazio d'arresto dell'anta sia di 2-3 cm altrimenti regolare il freno meccanico nel seguente modo (figura 8):
 - a. Far girare in senso orario e per circa mezzo giro il dado presente nell'albero motore;
 - b. Se mezzo giro non fosse ancora sufficiente avvitare un altro po' il dado;
 - c. Fare attenzione a non stringere troppo il dado perché potrebbe bloccare completamente il motore elettrico.



⚠ Prima della regolazione del freno meccanico è indispensabile spegnere l'alimentazione elettrica ponendo su "OFF" il magnetotermico presente nella centrale.

5.2) Messa in servizio

La messa in servizio può avvenire solo dopo aver eseguito con esito positivo tutte le fasi di collaudo di TUB3500 e degli altri dispositivi presenti.

E' vietata la messa in servizio parziale o in situazioni "provvisorie".

1. Realizzare e conservare per almeno 10 anni i fascicoli tecnici dell'automazione che dovrà comprendere almeno: disegno complessivo dell'automazione, schema dei collegamenti elettrici, analisi dei rischi e relative soluzioni adottate, dichiarazione di conformità del fabbricante di tutti i dispositivi utilizzati (per TUB3500 utilizzare la Dichiarazione CE di conformità allegata); copia del manuale di istruzioni per l'uso e del piano di manutenzione dell'automazione.
2. Apporre sul cancello una targhetta contenente almeno i seguenti dati: tipo di automazione, nome e indirizzo del costruttore (responsabile della "messa in servizio"), numero di matricola, anno di costruzione e marchio "CE".
3. Fissare in maniera permanente in prossimità del cancello un'etichetta o una targa con indicate le operazioni per lo sblocco e la manovra manuale.
4. Realizzare e consegnare al proprietario la dichiarazione di conformità dell'automazione.
5. Realizzare e consegnare al proprietario il manuale di "Istruzioni ed avvertenze per l'uso dell'automazione".
6. Realizzare e consegnare al proprietario il piano di manutenzione dell'automazione (che deve raccogliere tutte le prescrizioni sulla manutenzione dei singoli dispositivi).
7. Prima di mettere in servizio l'automatismo informare adeguatamente ed in forma scritta il proprietario (ad esempio sul manuale di istruzioni ed avvertenze per l'uso dell'automazione) sui pericoli ed i rischi ancora presenti.

6) Manutenzione e smaltimento

In questo capitolo sono riportate le informazioni per la realizzazione del piano di manutenzione e lo smaltimento di TUB3500.

6.1) Manutenzione

Per mantenere costante il livello di sicurezza e per garantire la massima durata dell'intera automazione è necessaria una manutenzione regolare.

⚠ La manutenzione deve essere effettuata nel pieno rispetto delle prescrizioni sulla sicurezza del presente manuale e secondo quanto previsto dalle leggi e normative vigenti.

Per gli altri dispositivi diversi da TUB3500 seguire quanto previsto nei rispettivi piani manutenzione.

1. Per TUB3500 è necessaria una manutenzione programmata al massimo entro 6 mesi o 10.000 manovre dalla precedente manutenzione.

2. Scollegare qualsiasi sorgente di alimentazione elettrica.
3. Verificare lo stato di deterioramento di tutti i materiali che compongono l'automazione con particolare attenzione a fenomeni di erosione o di ossidazione delle parti strutturali; sostituire le parti che non forniscono sufficienti garanzie.
4. Verificare lo stato di usura delle parti in movimento: pignone, cremagliera e tutte le parti dell'anta, sostituire le parti usurate.
5. Ricollegare le sorgenti di alimentazione elettrica ed eseguire tutte le prove e le verifiche previste nel paragrafo "5.1 Collaudo".

6.2) Smaltimento

TUB3500 è costituito da diverse tipologie di materiali, alcuni di questi possono essere riciclati; acciaio, alluminio, plastica, cavi elettrici; altri dovranno essere smaltiti.

⚠ Alcuni componenti elettronici potrebbero contenere sostanze inquinanti, non disperderli nell'ambiente. Informatevi sui sistemi di riciclaggio o smaltimento attenendovi alle norme in vigore a livello locale.

1. Scollegare l'alimentazione elettrica dall'automatismo.
2. Smontare tutti i dispositivi ed accessori, seguendo il procedimento inverso a quello descritto nel capitolo "3 Installazione".

3. Separare per quanto possibile le parti che possono o devono essere riciclate o smaltite in modo diverso, ad esempio le parti metalliche da quelle plastiche, le schede elettroniche ecc.
4. Smistare ed affidare i vari materiali così separati ai centri abilitati al recupero ed allo smaltimento previsti a livello locale!

7) Caratteristiche tecniche

Con lo scopo di migliorare i propri prodotti, Nice s.p.a. si riserva il diritto modifiche le caratteristiche tecniche in qualsiasi momento e senza preavviso pur mantenendo funzionalità e destinazione d'uso.

Tutte le caratteristiche tecniche riportate si riferiscono alla temperatura ambientale di 20°C (±5°C).

Caratteristiche tecniche: TUB3500

Tipologia	Motoriduttore elettromeccanico autofrenante per il movimento automatico di cancelli scorrevoli per uso industriale completo di centrale elettronica di controllo
Pignone	Z= 18; Modulo=6; Passo=18.8; Diametro primitivo=108mm
Coppia massima allo spunto	418Nm; corrispondente alla capacità di mettere in movimento un'anta il cui attrito statico sviluppa un carico resistente fino a 7740N
Coppia nominale	190Nm; corrispondente alla capacità di mantenere in movimento un'anta il cui attrito dinamico sviluppa un carico resistente fino a 3520N
Velocità alla coppia nominale	0.167m/s (10m/min)
Frequenza massima cicli di funzionamento	200 cicli/giorno
Tempo massimo funzionamento continuo	30 minuti (la centrale prevede un tempo di lavoro massimo di 120 secondi modificabili a 210 secondi).
Limiti d'impiego	Generalmente TUB3500 è in grado di automatizzare cancelli con peso fino a 3500Kg e lunghezza fino a 30m
Alimentazione	Trifase 400Vac +/-10%; 50Hz.
Potenza massima assorbita	550 W
Classe di isolamento	1 (è necessaria la messa a terra di sicurezza)
Temperatura di funzionamento	-20°C ÷ 50°C
Utilizzo in atmosfera particolarmente acida o salina o potenzialmente esplosiva	No
Grado di protezione	IP 44
Dimensioni e peso	580X480X240; 60Kg

Altre caratteristiche tecniche sono presenti nelle istruzioni della centrale A500

Complimenti per aver scelto per la vostra automazione un prodotto Nice! Nice s.p.a. produce componenti per l'automazione di cancelli, porte, serrande, tapparelle e tende da sole: motoriduttori, centrali di comando, radio-comandi, lampeggianti, fotocellule e accessori. Nice utilizza solo materiali e lavorazioni di qualità, e per vocazione ricerca soluzioni innovative che semplifichino al massimo l'utilizzo delle sue apparecchiature, curate nelle soluzioni tecniche, estetiche, ergonomiche: nella grande gamma Nice il vostro installatore avrà senz'altro scelto il prodotto più adatto alle vostre esigenze. Nice non è però il produttore della vostra automazione, che è invece il risultato di un'opera di analisi, valutazione, scelta dei materiali, e realizzazione dell'impianto eseguita dal vostro installatore di fiducia. Ogni automazione è unica e solo il vostro installatore possiede l'esperienza e la professionalità necessarie ad eseguire un impianto secondo le vostre esigenze, sicuro ed affidabile nel tempo, e soprattutto a regola d'arte, rispondente cioè alle normative in vigore. Un impianto di automazione è una bella comodità, oltre che un valido sistema di sicurezza e, con poche, semplici attenzioni, è destinato a durare negli anni. Anche se l'automazione in vostro possesso soddisfa il livello di sicurezza richiesto dalle normative, questo non esclude l'esistenza di un "rischio residuo", cioè la possibilità che si possano generare situazioni di pericolo, solitamente dovute ad un utilizzo incosciente o addirittura errato, per questo motivo desideriamo darvi alcuni consigli sui comportamenti da seguire per evitare ogni inconveniente:

- **Prima di usare per la prima volta l'automazione,** fatevi spiegare dall'installatore l'origine dei rischi residui, e dedicate qualche minuto alla lettura del manuale di **istruzioni ed avvertenze per l'utilizzatore** consegnatovi dall'installatore. Conservate il manuale per ogni dubbio futuro e consegnatelo ad un eventuale nuovo proprietario dell'automazione.

- **La vostra automazione è un macchinario che esegue fedelmente i vostri comandi;** un uso incosciente ed improprio può farlo diventare pericoloso: non comandate il movimento dell'automazione se nel suo raggio di azione si trovano persone, animali o cose.

- **Bambini:** un impianto di automazione garantisce un alto grado di sicurezza, impedendo con i suoi sistemi di rilevazione il movimento in presenza di persone o cose, e garantendo un'attivazione sempre prevedibile e sicura. È comunque prudente vietare ai bambini di giocare in prossimità dell'automazione e per evitare attivazioni involontarie non lasciare i telecomandi alla loro portata: **non è un gioco!**

- **Anomalie:** Non appena notate qualunque comportamento anomalo da parte dell'automazione, togliete alimentazione elettrica all'impianto ed eseguite lo sblocco manuale. Non tentate da soli alcuna riparazione, ma richiedete l'intervento del vostro installatore di fiducia: nel frattempo l'impianto può funzionare come un'apertura non automatizzata, una volta sbloccato il motoriduttore come descritto più avanti.

- **Manutenzione:** Come ogni macchinario la vostra automazione ha bisogno di una manutenzione periodica affinché possa funzionare più a lungo possibile ed in completa sicurezza. Concordate con il vostro installatore un piano di manutenzione con frequenza periodica; Nice consiglia un intervento ogni 6 mesi per un normale utilizzo domestico, ma questo periodo può variare in funzione dell'intensità d'uso. Qualunque intervento di controllo, manutenzione o riparazione deve essere eseguito solo da personale qualificato.

- Anche se ritenete di saperlo fare, non modificate l'impianto ed i parametri di programmazione e di regolazione dell'automazione: la responsabilità è del vostro installatore.

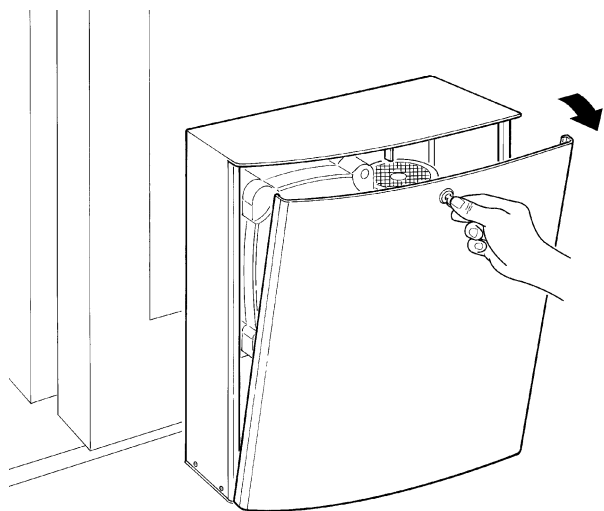
- Il collaudo, le manutenzioni periodiche e le eventuali riparazioni devono essere documentate da chi le esegue e i documenti conservati dal proprietario dell'impianto.

- **Smaltimento:** Al termine della vita dell'automazione, assicuratevi che lo smantellamento sia eseguito da personale qualificato e che i materiali vengano riciclati o smaltiti secondo le norme valide a livello locale.

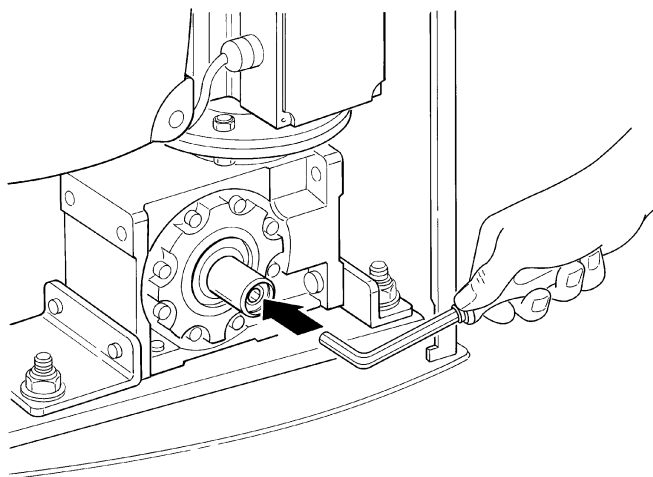
- **In caso di rotture o assenza di alimentazione:** Attendendo l'intervento del vostro installatore, o il ritorno dell'energia elettrica se l'impianto non è dotato di batterie tampone, l'automazione può essere azionata come una qualunque apertura non automatizzata. Per fare ciò è necessario eseguire lo sblocco manuale (unico intervento consentito all'utente sull'automazione): tale operazione è stata particolarmente studiata da Nice per assicurarvi sempre la massima facilità di utilizzo, senza uso di attrezzi particolari o necessità di sforzo fisico.

Sblocco e movimento manuale: prima di eseguire questa operazione porre **attenzione** che lo sblocco può avvenire solo quando l'anta è ferma.

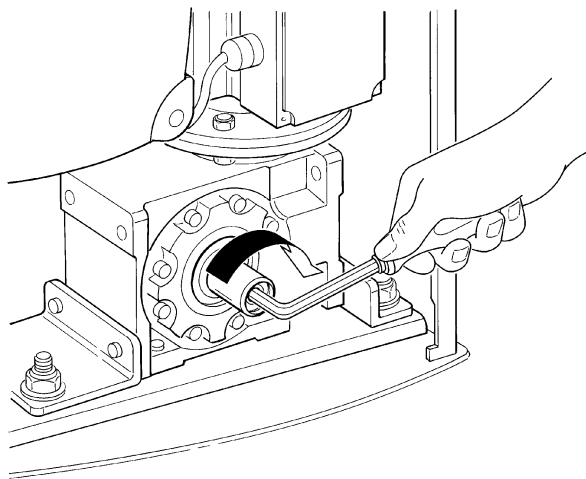
1. Aprire la porta di TUB3500 con la chiave in dotazione figura 9.
2. Prendere la chiave esagonale ed infilarla nell'albero figura 10.
3. Avvitare **completamente** la vite all'interno dell'albero come indicato in figura 11.
4. Togliere la chiave esagonale e richiudere la porta di TUB3500.
5. Muovere manualmente l'anta come indicato in figura 12.



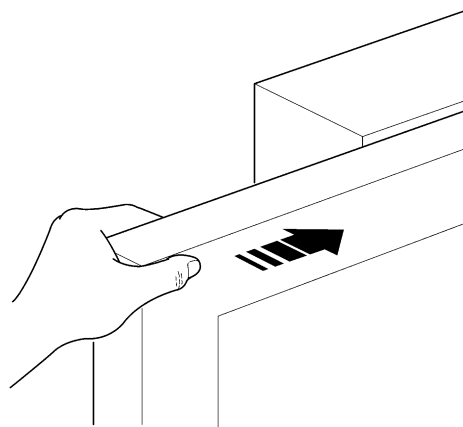
9



10



11



12

Per bloccare: eseguire, al contrario le stesse operazioni

In caso di guasto è necessario far riparare quanto prima l'automatismo.

Siete soddisfatti? Nel caso voleste aggiungere nella vostra casa un nuovo impianto di automazione, rivolgendovi allo stesso installatore e a Nice vi garantirete, oltre che la consulenza di uno specialista e i prodotti più evoluti del mercato, il migliore funzionamento e la massima compatibilità delle automazioni. Vi ringraziamo per aver letto queste raccomandazioni, e vi auguriamo la massima soddisfazione dal vostro nuovo impianto: per ogni esigenza presente o futura rivolgetevi con fiducia al vostro installatore.

Tub

Table des matières:

page

1	Avertissements	22	4.3	Contrôle du mouvement du portail	26
2	Description du produit et type d'utilisation	23	5	Essai et mise en service	27
2.1	Limites d'utilisation	23	5.1	Essai	27
2.2	Installation typique	23	5.2	Mise en service	27
2.3	Liste des câbles	24	6	Maintenance et mise au rebut	28
3	Installation	24	6.1	Maintenance	28
3.1	Contrôles préliminaires	24	6.2	Mise au rebut	28
3.2	Fixation de l'opérateur	25	7	Caractéristiques techniques	28
3.3	Installation des divers dispositifs de la logique de commande.	26		Instructions et recommandations destinées à l'utilisateur de l'opérateur TUB3500	29
3.4	Connexions électriques	26			
4	Contrôle du fonctionnement	26			
4.1	Branchement au secteur	26			
4.2	Contrôle de la direction du mouvement	26			

1) Avertissements

Ce manuel d'instructions contient des informations importantes concernant la sécurité pour l'installation, il faut lire toutes les instructions avant de procéder à l'installation. Conserver avec soin ce manuel également pour des consultations futures.

Compte tenu des dangers qui peuvent se vérifier durant l'installation et l'utilisation de TUB3500, pour le maximum de sécurité il faut que l'installation soit faite dans le plein respect des lois, normes et règlements. Dans ce chapitre, nous donnons des recommandations d'ordre général; d'autres recommandations importantes se trouvent dans les chapitres "3.1 Contrôles préliminaires"; "5 Essai et mise en service".

⚠ D'après la législation européenne la plus récente, la réalisation d'une porte ou d'un portail automatique possède les caractéristiques prévues par la Directive 98/37/CE (Directive Machines) et en particulier par les normes EN 12445, EN 12453 et EN 12635 qui permettent de déclarer la présomption de conformité.

D'autres informations et les conseils pour l'analyse des risques et la réalisation du dossier technique sont disponibles sur le site: "www.niceforyou.com".

- Le présent manuel est destiné uniquement au personnel technique qualifié pour l'installation. À part l'encart spécifique "Instructions et recommandations destinées à l'utilisateur de l'opérateur TUB3500" qui sera détaché par l'installateur, aucune autre information contenue dans la présente notice ne peut être considérée comme intéressante pour l'utilisateur final!
- Une utilisation de TUB3500 différente de ce qui est prévu dans cette notice est interdite; des utilisations impropres peuvent être source de dangers ou de dommages aux personnes et aux choses.
- Avant de commencer l'installation, il faut effectuer l'analyse des risques comprenant la liste des conditions de sécurité requises par l'annexe I de la Directive Machines, en indiquant les solutions adoptées.

Nous rappelons que l'analyse des risques est l'un des documents qui constituent le "dossier technique" de l'automatisation.

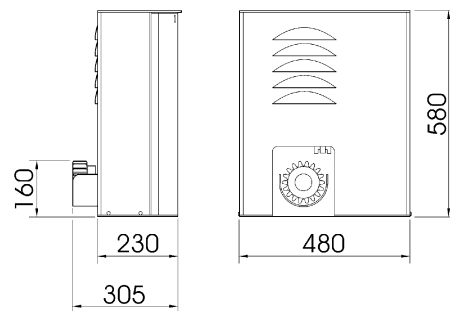
- Vérifier la nécessité d'autres dispositifs pour compléter l'automatisation avec TUB3500 suivant les conditions spécifiques de l'application et les risques présents; il faut considérer par exemple les risques d'impact, écrasement, cisaillement, coincement, etc., et d'autres dangers en général.

- Ne pas effectuer de modifications sur aucune des parties si elles ne sont pas prévues dans le présent manuel. Des opérations de ce type entraîneront obligatoirement des problèmes de fonctionnement. NICE décline toute responsabilité pour les dommages dérivant de produits modifiés.
- Pendant l'installation et l'utilisation, éviter que des parties solides ou liquides puissent pénétrer à l'intérieur de la logique de commande ou d'autres composants ouverts; s'adresser éventuellement au service d'assistance NICE; l'utilisation de TUB3500 dans de telles circonstances peut créer des situations de danger.
- L'automatisme ne peut pas être utilisé avant d'avoir effectué la mise en service comme l'explique le chapitre: "5 Essai et mise en service".

- L'emballage de TUB3500 doit être mis au rebut dans le plein respect de la réglementation locale.
- Dans le cas de panne qui ne peut pas être résolue avec les informations données dans ce manuel, contacter le service après-vente NICE.
- Si l'intervention de disjoncteurs ou de fusibles se vérifie, avant de les réarmer, il faut identifier et éliminer la panne.
- Avant d'accéder aux bornes internes de TUB3500 déconnecter tous les circuits d'alimentation; par exemple en utilisant l'interrupteur magnétothermique présent sur la logique de commande.

2) Description du produit et type d'utilisation

TUB3500 est un opérateur pour portails coulissants de grandes dimensions pour usage industriel, avec logique de commande incorporée et prévue pour l'embrochage des récepteurs NICE. Il fonctionne sur secteur, en cas de coupure du courant il est possible de débrayer l'opérateur avec une clé spéciale et de bouger manuellement le portail.



1

2.1) Limites d'utilisation

Les données relatives aux performances de TUB3500 figurent dans le chapitre "7 Caractéristiques techniques" et sont les seules valeurs qui permettent d'évaluer correctement si l'opérateur convient au type d'application.

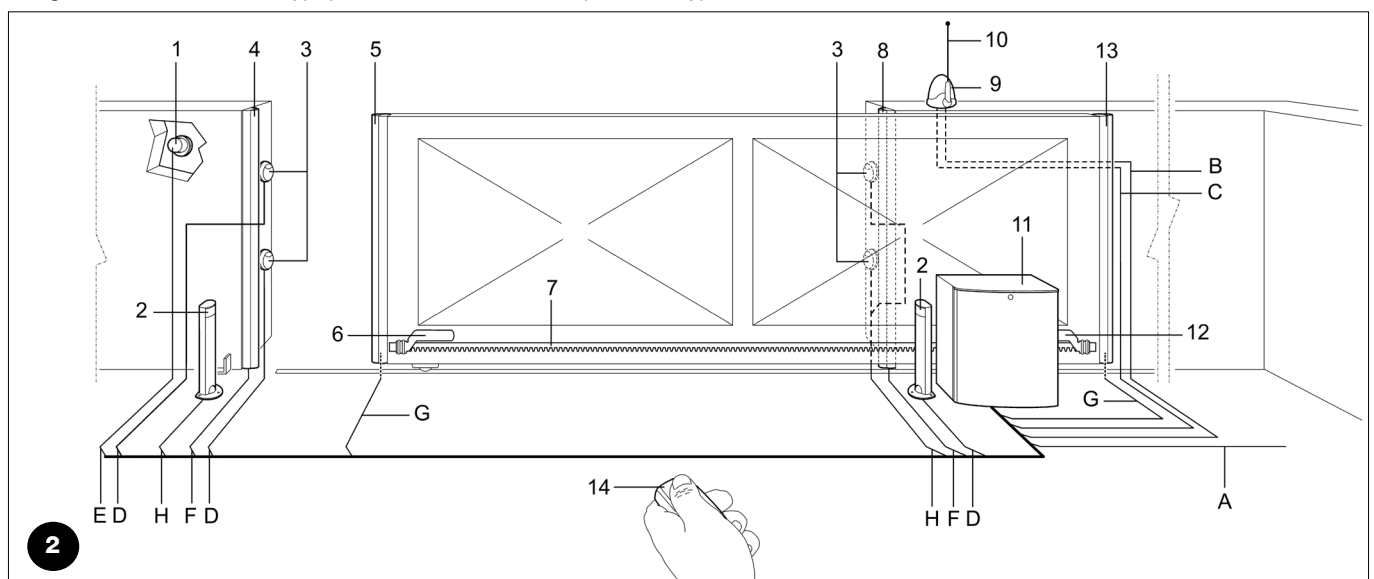
Généralement, TUB3500 est en mesure d'automatiser des portails pesant jusqu'à 3500 kg ou mesurant jusqu'à 30 m de long, suivant les indications du tableau N°1.

Tableau N°1: limites par rapport à la longueur du portail

Longueur portail mètres	Nombre max. de cycles/heure
Jusqu'à 5	30
5÷10	15
10÷15	10
15÷20	7
20÷25	6
25÷30	5

2.2) Installation typique

La figure illustre l'installation typique d'automatisation d'un portail de type coulissant utilisant TUB3500.



2

- | | | |
|--------------------------------|------------------------------------|-------------------------------------|
| 1. Sélecteur à clé | 6. Patte de fin de course "Ouvert" | 11. Moteur |
| 2. Photocellules sur colonne | 7. Crémaillère | 12. Patte de fin de course "Fermé" |
| 3. Photocellules PHOTO | 8. Bord secondaire fixe (option) | 13. Bord secondaire mobile (option) |
| 4. Bord primaire fixe (option) | 9. Clignotant | 14. Radio émetteur |
| 5. Bord primaire mobile | 10. Antenne | |

2.3) Liste des câbles

L'installation typique de la figure 2 indique les câbles nécessaires pour les connexions des différents dispositifs; le tableau N°2 indique les caractéristiques des câbles.

⚠ Les câbles utilisés doivent être adaptés au type d'installation; nous conseillons par exemple un câble type H05VV-F pour la pose à l'intérieur ou H07RN-F pour la pose à l'extérieur.

Tableau N°2: liste des câbles

Connexion	Type de câble	Longueur maximum autorisée
A. Ligne électrique d'alimentation	N° 1 câble 4x1,5mm ²	30 m (1)
B. Clignotant	N° 1 câble 2x1,5mm ²	20 m
C. Antenne	N° 1 câble blindé type RG58	(conseillé moins de 5 mètres)
D. Photocellules émetteur	N° 1 câble 2x0,25mm ²	30 m (3)
E. Sélecteur à clé	N° 2 câbles 2x0,25mm ²	50 m (2)
F. Bords sensibles fixes	N° 1 câble 2x0,5mm ²	30 m (4) (6)
G. Bords sensibles mobiles	N° 1 câble 2x0,5mm ²	30 m (4) (5) (6)
H. Photocellules récepteur	N° 2 câbles 2x0,25mm ²	30 m (2) (3)

Note 1: si le câble d'alimentation est de plus de 30 m, il faut prévoir un câble d'une section supérieure, par exemple 4x2,5mm² de même qu'il faut prévoir une mise à la terre de sécurité à proximité de l'automatisme.

Note 2: les deux câbles 2x0,25mm² peuvent être remplacés par un seul câble 4x0,25mm².

Note 3: utiliser des câbles blindés si la longueur dépasse 30 m en connectant le conducteur externe à la terre uniquement du côté de la logique de commande.

Note 4: dans certaines applications particulières, il peut être nécessaire d'utiliser plusieurs bords sensibles. S'il y a plus d'un bord, voir le manuel d'instructions pour le type de connexion conseillé.

Note 5: pour la connexion des bords sensibles mobiles sur la partie coulissante du portail, il faut utiliser des dispositifs qui permettent la connexion également avec le portail en mouvement.

Note 6: le nombre de conducteurs nécessaires pour la connexion des bords sensibles mobiles ou fixes dépend de la technique utilisée pour garantir la catégorie de sécurité demandée. L'exemple se réfère aux bords sensibles TCB65 connectés aux interfaces TCE.

3) Installation

⚠ L'installation de TUB3500 doit être effectuée par du personnel technique qualifié en respectant les lois, normes et réglementations en vigueur ainsi que le contenu de cette notice.

3.1) Contrôles préliminaires

Avant de continuer l'installation de TUB3500 il faut effectuer les contrôles suivants:

- Vérifier que tout le matériel à utiliser est en excellent état, adapté à l'usage et conforme aux normes.
- Vérifier que la structure du portail est adaptée pour être équipée d'un automatisme.
- Vérifier que le poids du portail ne dépasse pas la limite maximum de 3500kg et que sa longueur ne dépasse pas 30m.
- Vérifier qu'il n'y a pas de points de frottement particulier dans la course du portail, aussi bien en fermeture qu'en ouverture.
- Vérifier le portail ne risque pas de dérailler et de sortir des rails de guidage
- Vérifier la robustesse des butées mécaniques de limitation de la course en contrôlant qu'il n'y a pas de déformations même en cas de heurt violent du portail sur la butée.
- Vérifier que le portail est bien équilibré, c'est-à-dire qu'il ne doit pas bouger s'il est laissé arrêté dans une position quelconque.
- Vérifier que la zone de fixation de l'opérateur n'est pas sujette à inondation; éventuellement, monter l'opérateur suffisamment soulevé par rapport au sol.
- Vérifier que la zone de fixation de l'opérateur permet la manœuvre de débrayage de manière facile et sûre.
- Vérifier que les points de fixation des différents dispositifs se trouvent dans des endroits à l'abri des chocs et que les surfaces sont suffisamment solides.
- Éviter que les parties de l'automatisme puissent être immergées dans l'eau ou dans d'autres substances.

- Ne pas placer TUB3500 à proximité de flammes ou de sources de chaleur, dans des atmosphères potentiellement explosives, particulièrement acides ou salines; cela pourrait endommager TUB3500 et causer des problèmes de fonctionnement, provoquer un incendie ou des situations de danger.
- Si le portail coulissant est muni d'un portillon pour le passage de piétons incorporé ou dans la zone de manœuvre du portail, il faut s'assurer que ce portillon ne gêne pas la course normale et prévoir éventuellement un système.
- Connecter la logique de commande à une ligne d'alimentation électrique avec mise à la terre.
- La ligne d'alimentation électrique doit être protégée par un disjoncteur magnétothermique associé à un déclencheur différentiel.

3.2) Fixation de l'opérateur

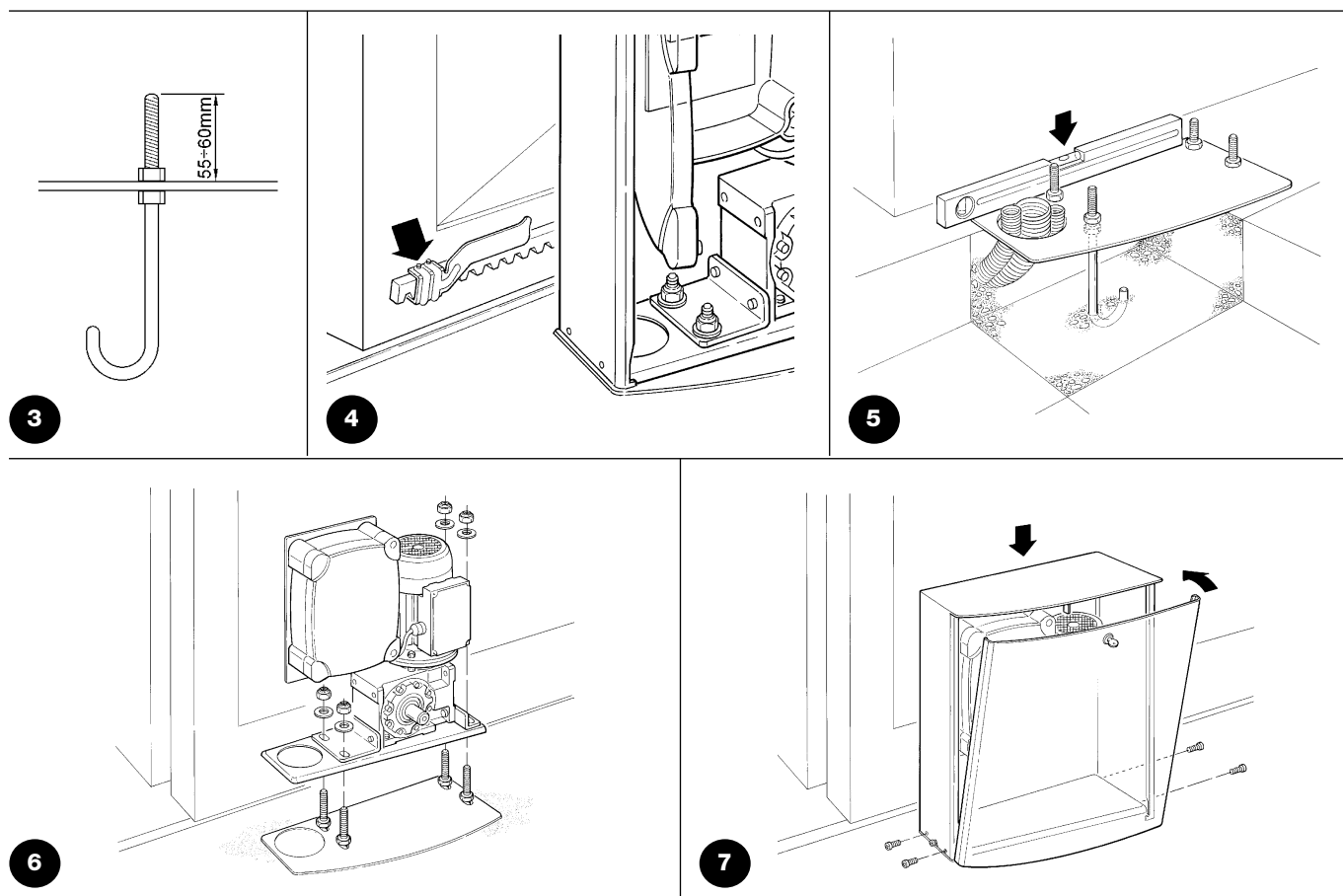
Si la surface d'appui existe déjà, la fixation de l'opérateur doit être effectuée directement sur la surface en utilisant des moyens adéquats par exemple avec des chevilles à expansion.

Autrement, pour fixer l'opérateur:

1. Creuser un trou de fondation de dimensions adéquates.
2. Prévoir un ou plusieurs conduits pour le passage des câbles comme dans la Figure 5.
3. Assembler les 4 agrafes sur la plaque de fondation en plaçant un écrou en dessous et un au-dessus de la plaque comme sur la fig. 3 de manière que la partie filetée de l'agrafe dépasse le plus possible de la plaque.
4. Effectuer la coulée en ciment et avant qu'il commence à prendre, mettre la plaque de fondation ; vérifier qu'elle est parallèle au portail et parfaitement de niveau comme sur la fig. 5. Attendre la prise complète du ciment.
5. Enlever le carter de l'opérateur en effectuant l'opération inverse de celle qui est représentée sur la fig. 7.
6. Placer l'opérateur sur la plaque de fondation et le positionner parfaitement parallèle au portail puis le fixer aux 4 agrafes en serrant à fond avec les 4 écrous et les rondelles fournies comme sur la fig. 6.
7. Débloquer le pignon comme l'indique le paragraphe "Débrayage et manœuvre manuelle" dans le chapitre "Instructions et recommandations destinées à l'utilisateur de l'opérateur TUB3500"
Ouvrir complètement le portail, poser sur le pignon le premier segment de crémaillère et vérifier que le début de la crémaillère correspond au début du portail. Vérifier la présence d'un jeu de 2÷3 mm entre le pignon et la crémaillère, puis fixer la crémaillère sur le portail avec des moyens adéquats.

9. Faire coulisser le portail et utiliser toujours le pignon comme référence pour fixer les autres éléments de la crémaillère.
10. Couper l'éventuelle partie de crémaillère qui dépasse sur le dernier segment.
11. Effectuer différentes manœuvres d'ouverture et de fermeture du portail à la main et vérifier que la crémaillère coulisse alignée au pignon avec un désalignement maximum de 10-15 mm, et qu'il y a un jeu de 2÷3 mm entre le pignon et la crémaillère sur toute la longueur.
12. Fixer avec leurs goujons respectifs les pattes de fin de course d'"Ouverture" et de "Fermeture" aux extrémités de la crémaillère comme sur la figure 4. Considérer que quand les fins de course interviennent, le portail coulisse sur encore 2÷3 cm environ. Il est donc conseillé de régler le positionnement des pattes avec une bonne marge sur les butées mécaniques.
13. Effectuer l'opération inverse de celle qui est effectuée au point 7 et bloquer le pignon.
14. Fixer le carter sur TUB3500 comme l'indique la figure 7 et s'assurer que le levier du fin de course placé sur le pignon se déplace librement.
15. Fermer la porte de l'opérateur et contrôler que le microinterrupteur de sécurité situé à droite du moteur électrique est bien actionné.

⚠ Pour éviter que le portail pèse trop sur l'opérateur, il est important qu'il y ait un jeu de 2÷3 mm entre la crémaillère et le pignon.



3.3) Installation des divers dispositifs de la logique de commande.

Effectuer l'installation de tous les dispositifs prévus en suivant les instructions respectives. Vérifier dans le manuel "mindyA500" les dispositifs qui peuvent être connectés à TUB3500.

3.4) Connexions électriques

⚠ Toutes les connexions électriques doivent être effectuées en l'absence de tension dans l'installation et par du personnel qualifié et expérimenté, en possession des caractéristiques requises et dans le plein respect des lois, normes et réglementations.

1. Pour ouvrir la porte permettant d'accéder à la carte de la logique de commande de TUB3500 il faut enlever les 2 vis jaunes en plastique.

2. Couper à la bonne longueur les passe-câbles se trouvant sous la logique et faire passer tous les câbles électriques.
3. Bloquer tous les câbles avec des colliers de serrage.
4. Suivre attentivement les instructions de la logique de commande dans le manuel "mindyA500" pour effectuer les connexions électriques.

4) Contrôle du fonctionnement

Avant de commencer la phase de contrôle et de mise en service de l'automatisme, il est conseillé de mettre le portail à mi-course environ de manière qu'il puisse se déplacer aussi bien en ouverture qu'en fermeture.

4.1) Branchement au secteur

⚠ Le branchement de TUB35000 au secteur doit être effectué par du personnel qualifié et expérimenté en possession des caractéristiques requises et dans le plein respect des lois, normes et réglementations.

• Dès que TUB3500 est alimenté en armant l'interrupteur magnéto-thermique présent sur la logique de commande, vérifier que la led OK située au centre de la logique commence à clignoter et que la led de l'entrée Photo est allumée.

- Il faut appuyer ensuite sur le levier du microinterrupteur situé à droite du moteur électrique et vérifier que les led d'ARRÊT et les fins de course FCA et FCC s'allument.
- Si ce n'est pas le cas, il faut couper immédiatement l'alimentation de la logique de commande et contrôler plus attentivement les connexions électriques.
- D'autres informations utiles pour la recherche et le diagnostic des pannes se trouvent dans le manuel de la logique de commande "mindyA500".

4.2) Contrôle de la direction du mouvement

Avec l'alimentation du moteur de type triphasée, la direction du mouvement du moteur dépend de la connexion des 3 phases d'alimentation, il n'est donc pas possible de prévoir si le moteur tourne dans le sens désiré et si les fins de course interviennent dans la direction du mouvement désirée.

Pour la mise au point de la direction du mouvement, il faut effectuer les contrôles en suivant la procédure décrite ci-après:

a. Contrôle de la direction du moteur: positionner le portail à mi-course et donner une impulsion de commande sur l'entrée "Ouverture" de la logique A500 (borne N°20) puis vérifier que le portail exécute effectivement une manœuvre d'ouverture. Si la direction du mouvement est correcte, passer au point suivant, si

ce n'est pas le cas, couper immédiatement l'alimentation de la logique de commande et inverser les connexions des câbles sur les bornes 3 et 4 du bornier de l'A500, répéter ensuite le contrôle de la direction du mouvement du moteur.

b. Contrôle de l'intervention du fin de course: durant le mouvement en ouverture du moteur avant que le portail arrive à l'ouverture totale simuler l'intervention du fin de course dans la direction désirée et vérifier que la manœuvre s'arrête. Si ce n'est pas le cas, couper immédiatement l'alimentation de la logique de commande et inverser les connexions des bornes 10 et 12 du bornier de l'A500, répéter ensuite le contrôle de l'intervention des fins de course.

4.3 Contrôle du mouvement du portail

Après avoir fixé correctement les pattes de fins de course (Figure 4) dans la crémaillère il est conseillé d'effectuer quelques manœuvres pour vérifier le mouvement correct du portail.

1. Commander une manœuvre d'ouverture:

- a. vérifier que l'ouverture du portail s'effectue à vitesse constante;
- b. Vérifier que la patte de fin de course (figure 4) va actionner le microinterrupteur en arrêtant le portail et en permettant un déplacement maximum de 2-3 cm supplémentaires (faire attention car avec la chaleur, le temps d'arrêt du portail pourrait augmenter).
- c. Quand le portail ne bouge plus, vérifier qu'il s'est arrêté à 4-5 cm de sa butée.

2. Commander une manœuvre de fermeture: comme point 1.

3. Si la distance d'arrêt du portail dépasse 2÷3 cm, régler le frein mécanique suivant les indications données dans le paragraphe "5.1 Essai".

4. Effectuer différentes manœuvres d'ouverture et de fermeture pour détecter les éventuels défauts de montage et de réglage ou d'autres anomalies comme par exemple les points présentant un frottement excessif.

5. Vérifier que la fixation de l'opérateur TUB3500, de la crémaillère et des pattes de fin de course sont solides, stables et suffisamment résistantes même durant les départs et arrêts brusques du portail.

5) Essai et mise en service

Il s'agit des phases les plus importantes dans la réalisation de l'automatisation afin de garantir la sécurité maximum. L'essai peut être utilisé également comme vérification périodique des dispositifs qui composent l'automatisme.

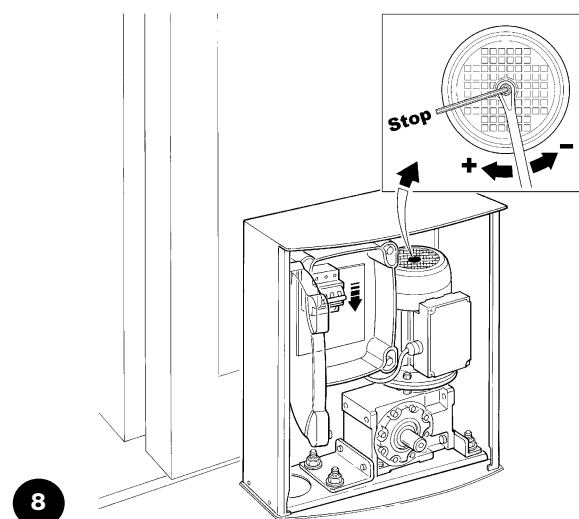
⚠ L'essai de toute l'installation doit être effectué par du personnel qualifié et expérimenté qui devra se charger d'établir les essais prévus en fonction des risques présents et de vérifier le respect de ce qui est prévu par les lois, les normes et réglementations et en particulier, toutes les conditions de la norme EN 12445 qui détermine les méthodes d'essai pour la vérification des automatismes pour portails.

5.1) Essai

Chaque élément de l'automatisme comme par exemple les bords sensibles, les photocellules, l'arrêt d'urgence, etc. demande une phase spécifique d'essai ; pour ces dispositifs, il faudra effectuer les procédures figurant dans les manuels d'instructions respectifs.

Pour l'essai de TUB3500 effectuer les opérations suivantes:

1. Vérifier que tout ce qui est prévu dans le présent manuel est rigoureusement respecté et en particulier dans le chapitre "1 Avertissements";
2. En utilisant les dispositifs de commande ou d'arrêt prévus (sélecteur à clé, boutons de commande ou émetteurs radio), effectuer des essais d'ouverture, de fermeture et d'arrêt du portail et vérifier que le comportement du portail correspond à ce qui est prévu.
3. Vérifier un par un le fonctionnement correct de tous les dispositifs de sécurité présents dans l'installation (photocellules, bords sensibles, arrêt d'urgence, etc.).
4. Si l'on n'a pas remédié aux situations de risque liées au mouvement du portail à travers la limitation de la force d'impact, il faut effectuer la mesure de la force d'impact suivant les prescriptions de la norme EN 12445.
5. Vérifier que l'espace d'arrêt du portail est de 2÷3 cm, en cas contraire régler le frein mécanique de la façon suivante (figure 8):
 - a. Faire tourner l'écrou présent dans l'arbre moteur d'environ un demi-tour dans le sens des aiguilles d'une montre;
 - b. Si un demi-tour ne suffit pas, visser encore un peu l'écrou;
 - c. Faire attention à ne pas trop serrer l'écrou car il pourrait bloquer complètement le moteur électrique.



⚠ Attention: avant le réglage du frein mécanique, il faut absolument éteindre l'alimentation électrique en mettant sur "OFF" l'interrupteur magnétothermique présent dans la logique de commande.

5.2) Mise en service

La mise en service ne peut être faite que si toutes les phases d'essai de TUB3500 et des autres dispositifs présents ont été exécutées avec résultat positif.

La mise en service partielle ou dans des situations "provisoires" n'est pas autorisée.

1. Vérifier que tout ce qui est prévu dans le présent manuel est rigoureusement respecté et en particulier dans le chapitre "1 Avertissements";
2. Réaliser et conserver au moins 10 ans le fascicule technique de l'automatisation qui devra comprendre au moins : dessin d'ensemble de l'automatisation, schéma des connexions électriques, analyse des risques et solutions adoptées, déclaration de conformité du fabricant de tous les dispositifs utilisés (pour TUB3500, utiliser la Déclaration CE de conformité ci-jointe), exemplaire du mode d'emploi et du plan de maintenance de l'automatisme.
3. Appliquer sur le portail une plaquette contenant au moins les données suivantes: type d'automatisme, nom et adresse du constructeur (responsable de la "mise en service"), numéro de matricule, année de construction et marque "CE".
4. Fixer de manière permanente à proximité du portail une étiquette ou une plaque indiquant les opérations à effectuer pour le débrayage et la manœuvre manuelle.

5. Remplir et remettre au propriétaire la déclaration de conformité de l'automatisme.
6. Remplir et remettre au propriétaire le manuel d' "Instructions et recommandations pour l'utilisation de l'automatisme".
7. Réaliser et remettre au propriétaire le plan de maintenance de l'automatisme (qui doit regrouper toutes les prescriptions pour la maintenance de chaque dispositif).
8. Avant de mettre en service l'automatisme, informer le propriétaire, de manière adéquate et par écrit (par exemple dans le manuel d'instructions et d'avertissements pour l'utilisation de l'automatisme), sur les risques encore présents.

6) Maintenance et mise au rebut

Ce chapitre contient les informations pour la réalisation du plan de maintenance et la mise au rebut de TUB3500.

6.1) Maintenance

Pour maintenir un niveau de sécurité constant et pour garantir la durée maximum de tout l'automatisme, il faut effectuer une maintenance régulière.

⚠ La maintenance doit être effectuée dans le plein respect des consignes de sécurité du présent manuel et suivant les prescriptions des lois et normes en vigueur.

Si d'autres dispositifs sont présents, suivre ce qui est prévu dans le plan de maintenance respectif.

1. Pour TUB3500 il faut effectuer une maintenance programmée au maximum dans les 6 mois ou quand 10 000 manœuvres ont été effectuées depuis la dernière intervention de maintenance.

2. Couper toutes les sources d'alimentation électrique de l'automatisme.
3. Vérifier l'état de détérioration de tous les matériaux qui composent l'automatisme avec une attention particulière pour les phénomènes d'érosion ou d'oxydation des parties structurelles ; remplacer les parties qui ne donnent pas de garanties suffisantes.
4. Vérifier l'état d'usure des parties en mouvement : pignon, crémaillère et toutes les parties mobiles du portail, remplacer les parties usées.
5. Reconnecter les sources d'alimentation électrique et effectuer tous les essais et les contrôles prévus dans le paragraphe "5.1 Essai".

6.2) Mise au rebut

TUB3500 est constitué de différents types de matériaux dont certains peuvent être recyclés (acier, aluminium, plastique, câbles électriques), d'autres devront être mis au rebut.

⚠ Certains composants électroniques pourraient contenir des substances polluantes, ne pas les abandonner dans la nature. Informez-vous sur les systèmes de recyclage ou de mise au rebut en respectant les normes locales en vigueur.

1. Déconnecter l'alimentation électrique de l'automatisme.
2. Démontez tous les dispositifs et accessoires, suivant la procédure inverse à celle qui est décrite dans le chapitre 3 "Installation".

3. Séparer le plus possible les parties qui peuvent ou doivent être recyclées ou éliminées de manière différente, par exemple séparer les parties métalliques des parties en plastique, les cartes électroniques, etc.
4. Trier et confier les différents matériaux ainsi séparés à des sociétés spécialisées dans la récupération et le recyclage suivant les réglementations locales.!

7) Caractéristiques techniques

Dans le but d'améliorer ses produits, Nice S.p.a. se réserve le droit de modifier les caractéristiques techniques à tout moment et sans préavis, en garantissant dans tous les cas le bon fonctionnement et le type d'utilisation prévus.

N.B.: toutes les caractéristiques techniques se réfèrent à la température de 20°C (±5°C)

Caractéristiques techniques: TUB3500

Typologie	Opérateur électromécanique autofreinant pour le mouvement automatique de portails coulissants pour usage industriel avec logique électronique de commande incorporée
Pignon	Z = 18; Module = 6; Pas = 18,8; Diamètre primitif = 108 mm
Couple maximum au démarrage	418 Nm; correspondant à la capacité de mettre en mouvement un portail dont la friction statique développe une charge résistante jusqu'à 7740 N
Couple nominal	190 Nm; correspondant à la capacité de mettre en mouvement un portail dont la friction dynamique développe une charge résistante jusqu'à 3520 N
Vitesse au couple nominal	0,167 m/s (10 m/min)
Fréquence maximum des cycles de fonctionnement	200 cycles/jour
Temps maximum de fonctionnement continu	30 minutes (la logique prévoit un temps de travail maximum de 120 secondes modifiables à 210 secondes).
Limites d'utilisation	Généralement, TUB3500 est en mesure d'automatiser des portails pesant jusqu'à 3500 kg et mesurant jusqu'à 30 m de long.
Alimentation	Triphasée 400 Vca +/-10 % ; 50 Hz.
Puissance maximum absorbée	550 W
Classe d'isolement	1 (la mise à la terre est nécessaire)
Température de fonctionnement	-20 °C ÷ 50 °C
Utilisation en atmosphère particulièrement acide ou saline ou potentiellement explosive	Non
Indice de protection	IP 44
Dimensions et poids	580x480x240; 60 Kg

Les autres caractéristiques techniques sont présentes dans les instructions de la logique A500

Félicitations pour avoir choisi un produit Nice pour votre automatisation!

Nice S.p.A. produit des composants pour l'automatisme de portails, portes, volets roulants et stores : opérateurs, logiques de commande, radiocommandes, clignotants, photocellules et accessoires.

Nice n'utilise que des matériaux et des usinages de qualité et par vocation, elle recherche des solutions innovantes qui simplifient au maximum l'utilisation de ses appareils, très soignés sur le plan de la technique, de l'esthétique et de l'ergonomie: dans la vaste gamme Nice, votre installateur aura choisi sans aucun doute le produit le plus adapté à vos exigences.

Nice n'est toutefois pas le producteur de votre automatisme qui est en effet le résultat d'un travail d'analyse, évaluation, choix des matériaux et réalisation de l'installation, exécuté par votre installateur de confiance.

Chaque automatisme est unique et seul votre installateur possède l'expérience et la compétence professionnelle nécessaires pour réaliser une installation répondant à vos exigences, sûre et fiable dans le temps et surtout, exécutée dans les règles de l'art et conforme par conséquent aux normes en vigueur.

Une installation d'automatisation est une belle commodité ainsi qu'un système de sécurité valable; avec quelques attentions très simples, elle est destinée à durer dans le temps.

Même si l'automatisme en votre possession satisfait le niveau de sécurité requis par les normes, cela n'exclut pas la persistance d'un "risque résiduel", c'est-à-dire la possibilité de situations de danger dues généralement à une utilisation inconsciente, voire erronée. C'est la raison pour laquelle nous désirons vous donner quelques conseils sur les comportements à adopter pour éviter tout inconvénient:

• **Avant d'utiliser pour la première fois l'automatisme**, faites-vous expliquer par l'installateur l'origine des risques résiduels et consacrez quelques minutes à la lecture du manuel **d'instructions** et d'avertissements pour l'utilisateur qui vous est remis par l'installateur. Conservez le manuel pour pouvoir le consulter pour n'importe quel doute futur et remettez-le à tout nouveau propriétaire de l'automatisme.

• **Votre automatisme est un équipement qui exécute fidèlement vos commandes**; une utilisation inconsciente et incorrecte peut le rendre dangereux: ne commandez pas le mouvement de l'automatisme si des personnes, des animaux ou des objets se trouvent dans son rayon d'action.

• **Enfants**: une installation d'automatisation garantit un degré de sécurité élevé en empêchant avec ses systèmes de détection le mouvement en présence de personnes ou d'objets et en garantissant une activation toujours prévisible et sûre. Il est prudent toutefois d'éviter de laisser jouer les enfants à proximité de l'automatisme et pour éviter les activations involontaires, de ne pas laisser à leur portée les émetteurs qui commandent la manœuvre: **ce n'est pas un jeu !**

• **Anomalies**: si vous notez une anomalie quelconque dans le fonctionnement de l'automatisme, coupez l'alimentation électrique de l'installation et procédez au débrayage manuel. Ne tentez jamais de le réparer vous-même mais demandez l'intervention de votre installateur de confiance: dans l'intervalle, l'installation peut fonctionner comme un système non automatisé, après avoir débrayé l'opérateur suivant les indications données plus loin.

• **Maintenance**: comme toutes les machines, votre automatisme a besoin d'une maintenance périodique pour pouvoir fonctionner le plus longtemps possible et en toute sécurité. Établissez avec votre installateur un plan de maintenance périodique programmée; Nice conseille une intervention tous les 6 mois pour une utilisation domestique normale mais celle période peut varier en fonction de l'intensité d'utilisation. Toute intervention de contrôle, maintenance ou réparation doit être exécutée exclusivement par du personnel qualifié.

• Même si vous estimez en être capable, ne modifiez pas l'installation et les paramètres de programmation et de réglage de l'automatisme: la responsabilité en incombe à votre installateur.

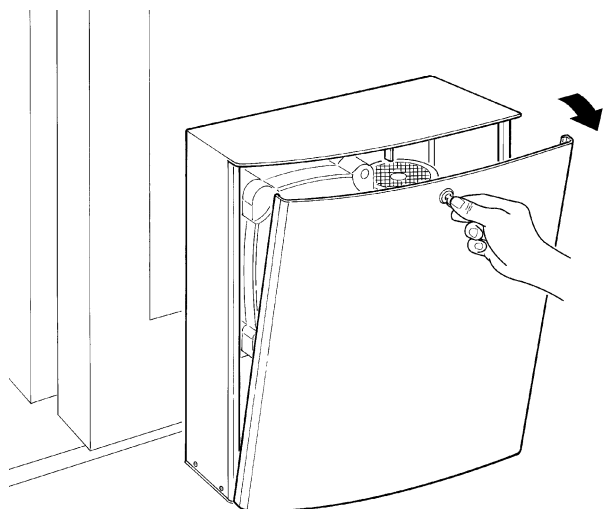
• L'essai de fonctionnement final, les maintenances périodiques et les éventuelles réparations doivent être documentés par la personne qui s'en charge et les documents doivent être conservés par le propriétaire de l'installation.

• **Mise au rebut**. À la fin de la vie de l'automatisme, assurez-vous que le démantèlement est effectué par du personnel qualifié et que les matériaux sont recyclés ou mis au rebut en respectant les normes locales en vigueur.

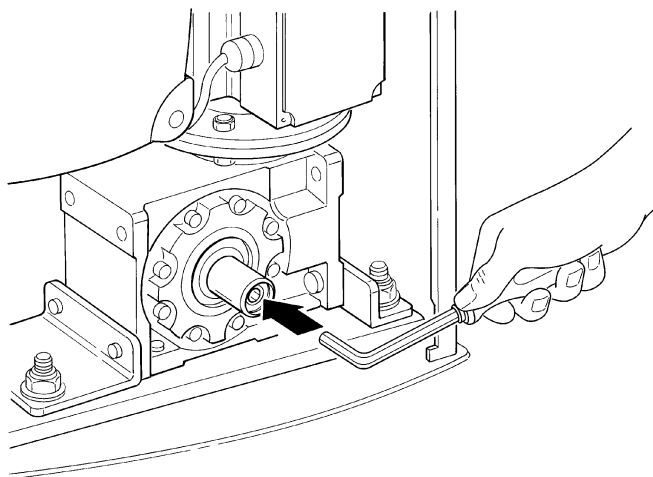
• **En cas de ruptures ou absence d'alimentation électrique**. En attendant l'intervention de votre installateur (ou le retour du courant si l'installation est dépourvue de batterie tampon), l'installation peut être actionnée comme n'importe quel autre système non automatisé. Pour cela, il faut effectuer le débrayage manuel: cette opération, qui est la seule pouvant être effectuée par l'utilisateur de l'automatisme, a fait l'objet d'une étude particulière de la part de Nice pour vous assurer toujours une utilisation extrêmement simple et aisée, sans aucun outil ou effort physique.

Débrayage et mouvement manuel: avant d'effectuer cette opération, faire **attention** au fait que le débrayage ne peut être fait que lorsque le portail est à l'arrêt.

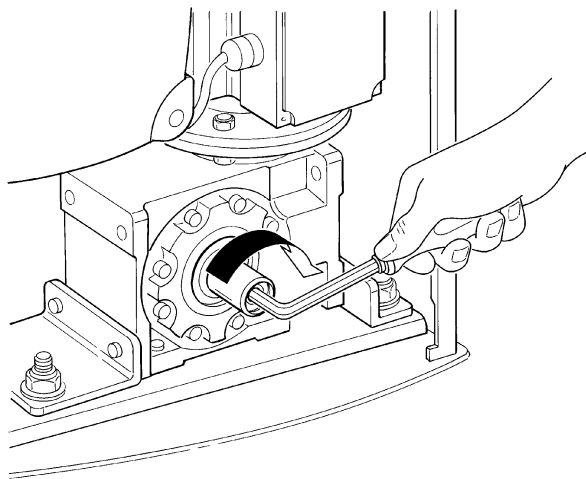
1. Ouvrir la porte de TUB3500 avec la clé fournie figure 9.
2. Prendre la clé à six pans et l'introduire dans l'arbre figure 10.
3. Visser **complètement** la vis à l'intérieur de l'arbre comme l'indique la figure 11.
4. Enlever la clé à six pans et refermer la porte de TUB3500.
5. Bouger manuellement le portail comme l'indique la figure 12.



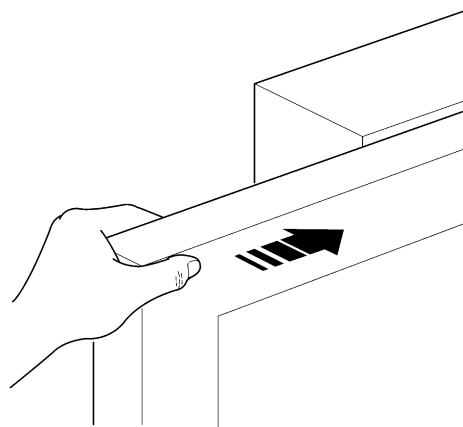
9



10



11



12

Pour bloquer: effectuer les mêmes opérations dans le sens contraire

En cas de panne, il faut faire réparer l'automatisme le plus vite possible.

Êtes-vous satisfait? Si vous désirez équiper votre maison d'un nouvel automatisme, adressez-vous au même installateur et à Nice. Vous serez sûr de bénéficier ainsi, en plus du conseil d'un spécialiste et des produits les plus évolués du marché, également du meilleur fonctionnement et de la compatibilité parfaite des différents automatismes installés. Nous vous remercions d'avoir lu ces recommandations et nous espérons que votre nouvelle installation vous donnera entière satisfaction: pour tout besoin présent ou futur, adressez-vous en toute confiance à votre installateur.

Tub

Inhaltsverzeichnis

S.

1	Hinweise	32	4.3	Überprüfung der Torbewegung	36
2	Produktbeschreibung und Einsatz	33	5	Abnahme und Inbetriebsetzung	37
2.1	Einsatzgrenzen	33	5.1	Abnahme	37
2.2	Typische Anlage	33	5.2	Inbetriebsetzung	37
2.3	Kabelliste	34	6	Wartung und Entsorgung	38
3	Installation	34	6.1	Wartung	38
3.1	Vorprüfungen	34	6.2	Entsorgung	38
3.2	Befestigung des Toröffners	35	7	Technische Merkmale	38
3.3	Installation der verschiedenen Vorrichtungen an der Steuerung.	36		Anweisungen und Hinweise für den Benutzer des Toröffners TUB3500	39
3.4	Elektrische Anschlüsse	36			
4	Überprüfung des Betriebs	36			
4.1	Anschluss der Versorgung	36			
4.2	Überprüfung des Drehsinns	36			

1) Hinweise

Die vorliegenden Anweisungen enthalten wichtige Sicherheitsinformationen für die Installation; vor der Installation alle Anweisungen lesen und dieses Handbuch auch für die Zukunft sorgfältig aufbewahren.

Unter Berücksichtigung der Gefahren, die bei Installation und Bedienung von TUB3500 auftreten können, muss die Installation für größte Sicherheit unter voller Einhaltung von Gesetzen, Vorschriften und Verordnungen erfolgen. In diesem Kapitel sind Hinweise allgemeiner Art gegeben; weitere wichtige Hinweise befinden sich in den Kapiteln "3.1 Vorprüfungen"; "5 Endprüfung und Inbetriebsetzung".

▲ Nach der neuesten europäischen Gesetzgebung, gehört die Realisierung einer automatischen Tür oder eines automatischen Tors zu den Verordnungen der Richtlinie 98/37/CE (Maschinenrichtlinie) und insbesondere zu den Vorschriften: EN 12445; EN 12453 und EN 12635, die es erlauben, die vermutliche Konformität zu erklären.

Weitere Auskünfte und Hinweise zur Analyse der Risiken und der Realisierung der Technischen Unterlagen stehen in www.niceforyou.com zur Verfügung.

- Die vorliegende Anleitung ist nur für technisches Personal bestimmt, das für die Installation qualifiziert ist. Mit Ausnahme der Anlage „Anweisungen und Hinweise für den Benutzer des Toröffners TUB3500“, die der Installateur abtrennen muss, ist keine im vorliegenden Heft enthaltene Information als interessant für den Endbenutzer zu betrachten!
- Ein Gebrauch von TUB3500, der anders als in diesen Anweisungen vorgesehen ist, ist verboten; Ein unsachgemäßer Gebrauch kann Gefahren und Personen- oder Sachschäden verursachen.
- Vor der Installation ist die Risikoanalyse auszuführen, welche die Liste der wesentlichen Sicherheitsanforderungen, vorgesehen in Anlage I der Maschinenrichtlinie einschließen und die jeweiligen, angewendeten Lösungen angeben muss.

Es wird daran erinnert, dass die Risikoanalyse einer der Unterlagen ist, die Bestandteil der „Technischen Dokumentation“ der Automatisierung sind.

- Je nach Einsatzbedingungen und vorhandenen Gefahren prüfen, ob weitere Vorrichtungen und Materialien erforderlich sind, um die Automatisierung mit TUB3500 zu vervollständigen; berücksichtigt werden müssen zum Beispiel Aufprallgefahr, Quetsch- und Mitnehmgefahr usw. und sonstige Gefahren allgemein.

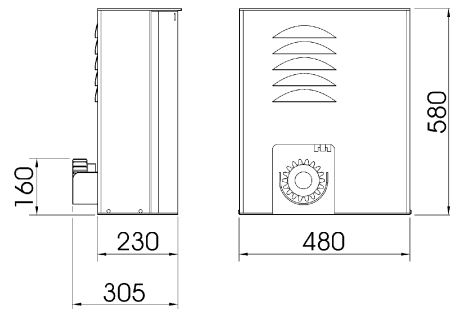
- Keine Änderungen an keinem Teil ausführen, falls nicht im vorliegenden Handbuch vorgesehen. Vorgänge dieser Art können nur Betriebsstörungen verursachen. NICE lehnt jegliche Haftung für Schäden aufgrund geänderter Produkte ab.
- Während Installation und Gebrauch vermeiden, dass Festteile oder Flüssigkeiten in die Steuerung und sonstige geöffnete Vorrichtungen eindringen können; wenden Sie sich ggf. an den NICE Kundendienst; der Gebrauch von TUB3500 in solchen Situationen kann Gefahren verursachen.
- Der Automatismus darf erst verwendet werden, nachdem die Inbetriebsetzung ausgeführt wurde, wie in Punkt "5 Endprüfung und Inbetriebsetzung" vorgesehen.

- Das Verpackungsmaterial von TUB3500 muss unter voller Einhaltung der örtlichen Vorschriften entsorgt werden.
- Wenden ein Defekt mit den im vorliegenden Handbuch gegebenen Infos nicht beseitigt werden kann, wenden Sie sich bitte an den NICE Kundendienst.
- Wenn Automatikschalter oder Sicherungen ausgelöst werden, muss vor ihrer Rückstellung der Defekt festgestellt und beseitigt werden.
- Vor dem Zugang zu den Klemmen im TUB3500 müssen alle Versorgungskreise abgetrennt werden, zum Beispiel mit dem magnetothermischen Schalter an der Steuerung.

2) Produktbeschreibung und Einsatz

TUB3500 ist ein Toröffner mit eingebauter Steuerung und mit Vorbereitung für die Installation der NICE Empfänger für große, industrielle Schiebetore.

Er funktioniert mit elektrischer Energie; bei Stromausfall kann der Toröffner mit einem speziellen Schlüssel entriegelt werden; danach kann man das Tor von Hand bewegen.



1

2.1) Einsatzgrenzen

Die Leistungsdaten von TUB3500 sind in Kapitel "7 Technische Merkmale" angegeben; sie sind die einzigen Werte, die eine korrekte Bewertung seiner Eignung ermöglichen.

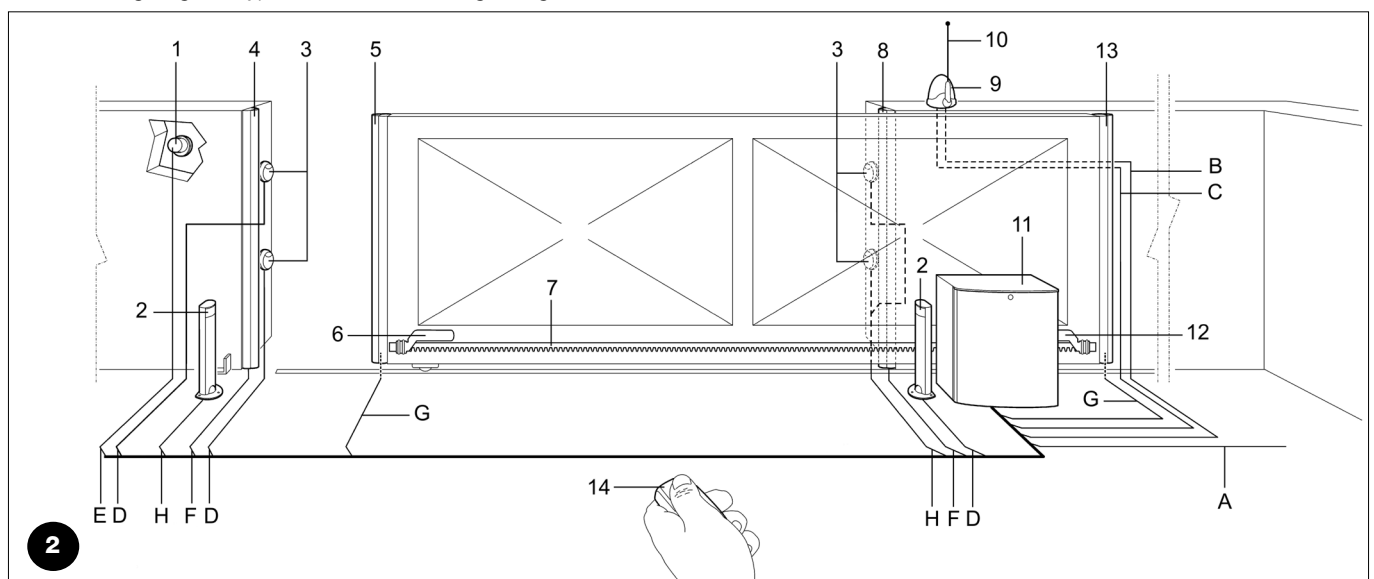
Gewöhnlich können mit TUB3500 Tore mit einem Gewicht bis 3500 kg oder einer Länge bis 30m automatisiert werden - siehe Tabelle Nr. 1.

Tabelle Nr. 1: Grenzwerte in Abhängigkeit von der Torlänge

Torlänge Meter	Max. Zyklen/Stunde
bis zu 5	30
5÷10	15
10÷15	10
15÷20	7
20÷25	6
25÷30	5

2.2) Typische Anlage

Die Abbildung zeigt die typische Automatisierungsanlage eines Schiebetors mit TUB3500.



2

- | | | |
|---------------------------------|---------------------------------|---------------------------------------|
| 1. Schlüsseltaster | 6. Endschalterbügel "Geöffnet" | 11. Motor |
| 2. Photozellen auf Standsäule | 7. Zahnstange | 12. Endschalterbügel "Geschlossen" |
| 3. Photozellen FOTO | 8. Feste Zweitleiste (Optional) | 13. Bewegliche Zweitleiste (Optional) |
| 4. Feste Hauptleiste (Optional) | 9. Blinkleuchte | 14. Funksender |
| 5. Bewegliche Hauptleiste | 10. Antenne | |

2.3) Kabelliste

In Abbildung 2 Typische Anlage sind die Kabel für den Anschluss der verschiedenen Vorrichtungen angegeben; in Tabelle Nr. 2 sind die Merkmale der Kabel verzeichnet.

⚠ Die benutzten Kabel müssen für den Installationstyp geeignet sein; zum Beispiel wird ein Kabel des Typs H05VV-F für das Verlegen in Innenräumen oder des Typs H07RN-F für im Freien verlegte Kabel empfohlen.

Tabelle Nr. 2: Kabelliste

Anschluss	Kabeltyp	Zulässige Höchstlänge
A. Versorgungsleitung	Nr. 1 Kabel 4 x 1,5 mm ²	30 m (1)
B. Blinkleuchte	Nr. 1 Kabel 2 x 1,5 mm ²	20 m
C. Antenne	Nr. 1 Abschirmkabel RG58	(empfohlen: unter 5 m)
D. Photozellen TX	Nr. 1 Kabel 2 x 0,25 mm ²	30 m (3)
E. Schlüsseltaster	Nr. 2 Kabel 2 x 0,25 mm ²	50 m (2)
F. Feste Leisten	Nr. 1 Kabel 2 x 0,5 mm ²	30 m (4) (6)
G. Bewegliche Leisten	Nr. 1 Kabel 2 x 0,5 mm ²	30 m (4) (5) (6)
H. Photozellen RX	Nr. 2 Kabel 2 x 0,25 mm ²	30 m (2) (3)

Anmerkung 1: wenn das Versorgungskabel länger als 30 ist, muss das Kabel einen größeren Querschnitt haben, z.B. 4x2,5mm² und eine Sicherheitserdung in der Nähe der Automatisierung ist erforderlich.

Anmerkung 2: die beiden Kabel 2x0,25mm² können mit nur einem Kabel 4x0,25mm² ersetzt werden.

Anmerkung 3: abgeschirmte Kabel im Fall einer Länge über 30 m benutzen, und das Geflecht nur auf der Seite der Steuerung erden.

Anmerkung 4: bei besonderen Anwendungen können mehrere Schaltleisten erforderlich sein. Siehe die Anleitungen für den empfohlenen Anschlusstyp, falls mehr als eine Schaltleiste vorhanden ist.

Anmerkung 5: für den Anschluss der beweglichen Leisten an Schiebetoren müssen spezielle Vorrichtungen verwendet werden, die eine Verbindung auch bei sich bewegendem Tor ermöglichen.

Anmerkung 6: die Anzahl an Leitern, die für den Anschluss der beweglichen oder festen Leisten notwendig sind, hängt von der benutzten Technik zur Gewährleistung der erforderlichen Sicherheitsklasse ab. Das Beispiel bezieht sich auf Leisten TCB65, die an Schnittstellen TCE angeschlossen sind.

3) Installation

⚠ Die Installation von TUB3500 darf nur von qualifizierten Technikern unter Einhaltung der Gesetze, Vorschriften und Verordnungen sowie der vorliegenden Anweisungen ausgeführt werden.

3.1) Vorprüfungen

Vor der Installation von TUB3500 sind folgende Kontrollen auszuführen:

- Prüfen, dass sich das gesamte benutzte Material in bestem Zustand befindet, für den Einsatzzweck geeignet und konform mit den Vorschriften ist.
- Prüfen, dass sich die Struktur des Tors zu einer Automatisierung eignet.
- Prüfen, dass das Torgewicht eine Höchstgrenze von 3500 kg Gewicht und 30 m Länge nicht überschreitet.
- Prüfen, dass das Tor in der gesamten Lauflänge und sowohl in Öffnung als auch in Schließung keine stärkeren Reibungsstellen aufweist.
- Prüfen, dass das Tor nicht entgleisen oder aus den Führungen treten kann
- Die Robustheit der mechanischen Überlaufanschläge prüfen und kontrollieren, dass keine Verformungen erfolgen, auch wenn das Tor stark auf einen Anschlag aufprallen sollte.
- Das Gleichgewicht des Tors überprüfen; es darf sich nicht bewegen, wenn es in beliebiger Stellung steht.
- Prüfen, dass der Befestigungsbereich des Toröffners nicht überschwemmt werden kann; den Toröffner eventuell vom Boden gehoben montieren.
- Prüfen, ob der Befestigungsbereich des Toröffners die Entriegelung sowie eine einfache und sichere Bewegung von Hand ermöglicht.
- Prüfen, dass die verschiedenen Vorrichtungen in stoßgeschützten Zonen und auf ausreichend festen Oberflächen befestigt sind.
- Die Bestandteile des Automatismus dürfen nicht in Wasser oder andere Flüssigkeiten getaucht werden.
- TUB3500 nicht in der Nähe von Flammen oder Wärmequellen und/oder in explosionsgefährdeter und besonders säure- oder salzhaltiger Atmosphäre anbringen; TUB3500 könnte dadurch beschädigt werden und es können Betriebsstörungen oder Gefahren entstehen.
- Sollte eine Fußgängertür im Tor oder eine Tür im Bewegungsbereich des Tors vorhanden sein, ist sicher zu stellen, dass sie den normalen Torlauf nicht behindert; ggf. für ein geeignetes Verblockungssystem sorgen.
- Die Steuerung an einer Versorgungslinie mit Sicherheitserdung anschließen.
- Die Versorgungslinie muss durch eine geeignete magnetothermische Vorrichtung und durch Differentialschalter geschützt sein.

3.2) Befestigung des Toröffners

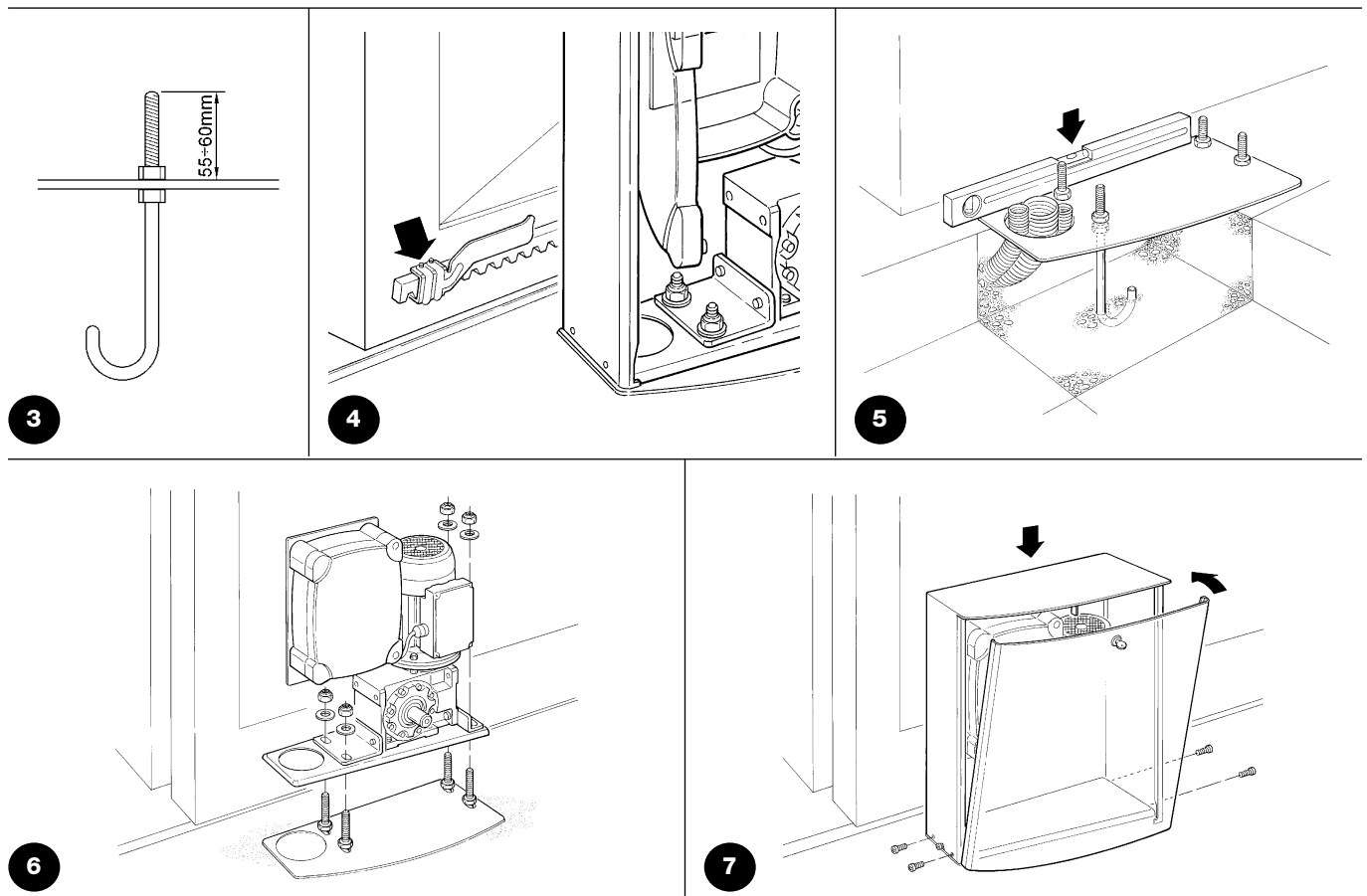
Falls die Befestigungsfläche bereits vorhanden ist, muss der Toröffner mit geeigneten Mitteln, zum Beispiel mit Spreizdübeln, auf der Oberfläche benutzt werden.

Andernfalls, um den Toröffner zu befestigen:

1. Eine Fundamentgrube geeigneter Größe ausgraben.
2. Ein oder mehrere Rohr zum Durchführen der elektrischen Kabel verlegen – siehe Abbildung 5.
3. Die 4 Spreizbeine auf die Fundamentplatte montieren, hierzu eine Mutter unter und eine über der Platte anbringen (siehe Abbildung 3), so dass der Gewindeteil so weit wie möglich aus der Platte herausragt.
4. Beton eingießen und die Fundamentplatte darin anbringen, bevor der Beton zu trocknen beginnt; prüfen, dass sie parallel zum Tor und bestens nivelliert ist – siehe Abb. 5. Warten, bis der Beton ganz getrocknet ist.
5. Das Gehäuse vom Toröffner abnehmen, hierzu die in Abbildung 7 gezeigten Arbeiten umgekehrt ausführen.
6. Den Toröffner auf die Fundamentplatte legen und vollkommen parallel zum Tor anbringen, dann den Toröffner mit den 4 Muttern und den mitgelieferten Unterlegscheiben fest an den 4 Spreizbeinen befestigen – siehe Abbildung 6.
7. Das Ritzel entriegeln, wie in Par. "Entriegelung und manuelle Bewegung" in Kapitel "Anweisungen und Hinweise für den Benutzer des Toröffners TUB3500" beschrieben.
8. Das Tor ganz öffnen, das erste Teil der Zahnstange auf das Ritzel legen und prüfen, dass der Zahnstangenanfang mit dem Toranfang übereinstimmt. Prüfen, dass zwischen Ritzel und Zahnstange ein Spiel von 2÷3 mm ist, dann die Zahnstange mit geeigneten Mitteln am Tor befestigen.

9. Das Tor gleiten lassen und zur Befestigung der restlichen Zahnstangenteile immer auf das Ritzel Bezug nehmen.
10. Das letzte überschüssige Zahnstangenteil wegschneiden.
11. Das Tor mehrmals in Öffnung und Schließung bewegen und prüfen, dass die Zahnstange gefluchtet auf dem Ritzel gleitet; die maximale Abweichung darf 10-15 mm betragen und in der gesamten Länge muss zwischen Ritzel und Zahnstange ein Spiel von 2-3mm vorhanden sein.
12. Die Endschalterbügel in "Öffnung" und "Schließung" mit den jeweiligen Stiftschrauben an den Zahnstangenenden befestigen – siehe Abbildung 4. Das Tor wird sich noch 2-3 cm bewegen, nachdem die Endschalter ausgelöst sind, daher die Endschalterbügel in entsprechendem Abstand von den mechanischen Anschlängen anbringen.
13. Den in Punkt 7 beschriebenen Vorgang umgekehrt ausführen und das Ritzel blockieren.
14. Das Gehäuse am TUB3500 wie in Abb. 7 gezeigt befestigen und sicher stellen, dass sich der kleine Endschalthebel über dem Ritzel frei bewegen kann.
15. Die Tür des Toröffners schließen und sicher stellen, dass der Sicherheitsmikroschalter rechts neben dem E-Motor aktiviert wird.

⚠ Es ist wichtig, dass zwischen Zahnstange und Ritzel ein Spiel von 2÷3 mm ist, damit das Torgewicht nicht auf dem Toröffner liegen kann.



3.3) Installation der verschiedenen Vorrichtungen an der Steuerung.

Alle Vorrichtungen nach den jeweiligen Anweisungen installieren. In der Anleitung "mindyA500" überprüfen, welche Vorrichtungen an TUB3500 angeschlossen werden können.

3.4) Elektrische Anschlüsse

⚠ Alle elektrischen Anschlüsse müssen ohne Spannung zur Anlage und nur von qualifizierten und erfahrenen Technikern, die im Besitz der verlangten Requisiten sind, sowie unter Einhaltung der Gesetze, Vorschriften und Verordnungen ausgeführt werden.

1. Zum Öffnen der Tür der Steuerung und für den Zugang zur elektronischen Steuerkarte von TUB3500 müssen die 2 gelben Plastikschrauben entfernt werden.

2. Die Kabeldurchführungen unter der Steuerung entsprechend zuschneiden und alle elektrischen Kabel durchführen.
3. Alle Kabel mit ein paar Kabelschellen blockieren.
4. Bei der Durchführung der elektrischen Anschlüsse die Anweisungen der Steuerung in der Anleitung "mindyA500" genau befolgen.

4) Überprüfung des Betriebs

Bevor man die Überprüfung und Inbetriebnahme der Automatisierung beginnt, sollte das Tor auf ca. halben Lauf gebracht werden, damit es sich sowohl in Öffnung als auch in Schließung bewegen kann.

4.1) Anschluss der Versorgung

⚠ Der Anschluss der Stromversorgung an TUB3500 muss von qualifizierten und erfahrenen Technikern, die im Besitz der verlangten Requisiten sind, sowie unter voller Einhaltung der Gesetze, Vorschriften und Verordnungen ausgeführt werden.

• Sobald der magnetothermische Schalter am Schaltkasten betätigt und TUB3500 mit Strom versorgt wird, muss die OK-Led in der Mitte der Steuerung zu blinken beginnen und die Led des Eingangs Foto aufleuchten.

- Nun den Mikroschalterhebel rechts neben dem E-Motor drücken: auch die Leds ALT und jene der Endschalter FCA und FCC müssen aufleuchten.
- Sollte all dies nicht der Fall sein, muss die Versorgung zur Steuerung unverzüglich ausgeschaltet werden, dann die elektrischen Anschlüsse genauer kontrollieren.
- Weitere nützliche Auskünfte über die Fehlersuche und die Diagnose befinden sich in der Anleitung der Steuerung "mindyA500".

4.2) Überprüfung des Drehsinns

Bei einer Drehstromversorgung des Motors hängt der Drehsinn des Motors vom Anschluss der 3 Versorgungsphasen ab, daher kann nicht vorher gesagt werden, ob sich der Motor wie gewünscht drehen wird und die Endschalter in der gewünschten Bewegungsrichtung eingreifen werden.

Zur Einstellung des Drehsinns sind folgende Überprüfungen nach dem hier unten beschriebenen Verfahren auszuführen.

a. Überprüfung des Motordrehsinns:

Das Tor auf Lauffählfte positionieren, dann einen Steuerbefehl zum Eingang Öffnet der Steuerung A500 (Klemme Nr. 20) geben und prüfen, ob das Tor effektiv eine Bewegung in Öffnung ausführt. Falls die Richtung wie gewünscht ist, auf den nächsten Punkt

übergehen, andernfalls unverzüglich die Versorgung zur Steuerung abschalten und den Anschluss der Kabel an den Klemmen Nr. 3 und 4 des Klemmenbretts von A500 umkehren, dann den Motordrehsinn erneut überprüfen.

b. Überprüfung der Auslösung der Endschalter:

Während der Öffnungsbewegung des Tors, bevor es ganz geöffnet ist, die Auslösung des Endschalters in der gewünschten Richtung prüfen bzw. prüfen ob die Bewegung gestoppt wird. Sollte dies nicht der Fall sein, unverzüglich die Versorgung zur Steuerung abschalten und den Anschluss der Kabel an den Klemmen Nr. 10 und 12 des Klemmenbretts von A500 umkehren, dann die Überprüfung der Auslösung der Endschalter wiederholen.

4.3) Überprüfung der Torbewegung

Nachdem die Endschalterbügel (Abbildung 4) korrekt an der Zahnstange befestigt wurden, ein paar Bewegungen ausführen, um zu prüfen, ob sich das Tor korrekt bewegt.

1. Den Befehl für eine Öffnung geben:

- a. prüfen, dass sich das Tor mit gleichbleibender Geschwindigkeit öffnet;
- b. prüfen, dass der Endschalterbügel (Abbildung 4) den Mikroschalter betätigt und das Tor mit einer weiteren Bewegung von 2-3 cm stoppt (Achtung: bei heißem Wetter könnte die Anhaltezeit des Tors länger sein).
- c. Nachdem das Tor angehalten hat, prüfen, ob es sich in einem Abstand von 4-5 cm von seinem Endanschlag befindet.

2. Den Befehl für eine Schließung geben: wie Punkt 1.

3. Sollte der Anhalteraum des Tors über 2-3 cm sein, muss die mechanische Bremse eingestellt werden, wie in Par. "5.1 Abnahme" angegeben.

4. Mehrere Öffnungs- und Schließbewegungen ausführen, um eventuelle Montage- und Einstellfehler oder sonstige Störungen wie zum Beispiel stärkere Reibungen festzustellen.

5. Prüfen, dass Toröffner TUB3500, Zahnstange und Endschalterbügel auch bei plötzlichem Anfahren und Anhalten des Tors gut und stabil befestigt und widerstandsfähig sind.

5) Abnahme und Inbetriebsetzung

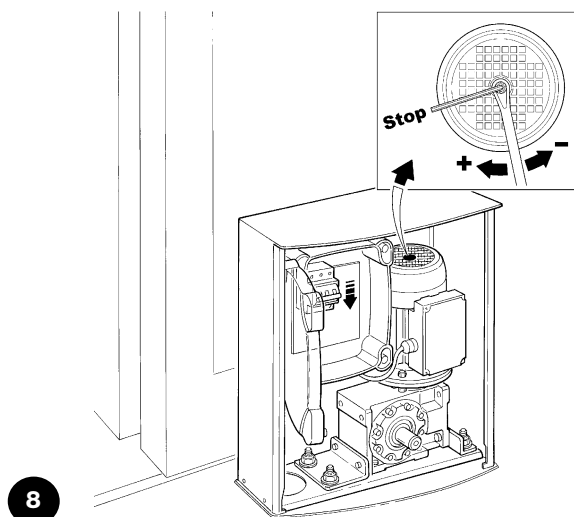
Um höchste Sicherheit zu gewährleisten, sind dies die wichtigsten Schritte bei der Realisierung der Automatisierung. Die Abnahme kann auch als regelmäßige Überprüfungen der Bestandteile des Automatismus verwendet werden.

⚠ Die Abnahme der gesamten Anlage muss von erfahreinem Fachpersonal ausgeführt werden, das die erforderlichen Tests je nach vorhandenem Risiko auszuführen und die Einhaltung des von Gesetzen, Vorschriften und Verordnungen Vorgesehenen zu überprüfen hat, insbesondere was alle Anforderungen der Norm EN12445 betrifft, die Testmethoden zur Überprüfung von Torautomatismen festlegt.

5.1) Abnahme

Für jedes einzelne Element des Automatismus wie zum Beispiel Schaltleisten, Photozellen, Notstops usw. ist eine spezielle Abnahmephase erforderlich; für diese Vorrichtungen sind die Verfahren in den jeweiligen Anleitungen auszuführen. Für die Abnahme von TUB3500 ist folgende Arbeitssequenz durchzuführen:

1. Prüfen, dass alles in der vorliegenden Anleitung Angegebene, insbesondere das in Kapitel "1 Hinweise" Beschriebene genauestens befolgt worden ist.
2. Das Öffnen, Schließen und Anhalten des Tors mit Hilfe der vorgesehenen Steuer- oder Stoppvorrichtungen (Schlüsseltaster, Steuertasten oder Funksender) testen und prüfen, ob das Verhalten wie vorgesehen ist.
3. Den korrekten Betrieb aller Sicherheitsvorrichtungen der Anlage (Photozellen, Schaltleisten, Notstopp usw.) einzeln und nacheinander überprüfen.
4. Falls die Gefahren aufgrund der Bewegung mittels Aufprallkraftbegrenzung geschützt worden sind, muss die Kraft nach den Vorschriften der Norm EN 12445 gemessen werden.
5. Prüfen, dass der Anhalteraum des Tors über 2-3 cm beträgt, andernfalls die mechanische Bremse wie folgt einstellen (Abbildung 8):
 - a. die Mutter an der Motorwelle im Uhrzeigersinn ca. eine halbe Umdrehung drehen;
 - b. Die Mutter etwas mehr anschrauben, falls eine halbe Umdrehung nicht genügen sollte;
 - c. Die Mutter nicht zu fest anziehen, da sich der E-Motor vollkommen blockieren könnte.



⚠ Achtung: vor der Einstellung der mechanischen Bremse unbedingt die Stromversorgung ausschalten, indem der magnetothermische Schalter an der Steuerung auf "OFF" gestellt wird.

5.2) Inbetriebsetzung

Die Inbetriebsetzung darf erst erfolgen, nachdem alle Abnahmeschritte von TUB3500 und der anderen vorhandenen Vorrichtungen erfolgreich ausgeführt wurden.

Eine teilweise oder provisorische Inbetriebsetzung ist untersagt.

1. Die technischen Unterlagen der Automatisierung verfassen und mindestens 10 Jahre lang aufbewahren. Sie müssen mindestens enthalten: Gesamtzeichnung der Automatisierung, Schaltplan, Risikoanalyse und angewendete Lösungen, Konformitätserklärung des Herstellers für alle installierten Vorrichtungen (für TUB3500 die anliegenden CE-Konformitätserklärung verwenden); Kopie der Bedienungsanweisungen und des Wartungsplans der Automatisierung.
2. Ein Schild mit mindestens folgenden Daten am Tor anbringen: Automatisierungstyp, Name und Adresse des Herstellers (Verantwortlicher der "Inbetriebsetzung"), Seriennummer, Baujahr und CE-Markierung.
3. In Tornähe bleibend ein Etikett oder ein Schild anbringen, auf dem die Vorgänge für die Entriegelung und die manuelle Bewegung angegeben sind.
4. Die Konformitätserklärung der Automatisierung verfassen und dem Inhaber aushändigen.
5. Die Anleitung „Anweisungen und Hinweise für den Benutzer der Automatisierung“ verfassen und dem Inhaber aushändigen.
6. Den Wartungsplan der Automatisierung verfassen und dem Inhaber aushändigen (der alle Wartungsanweisungen der einzelnen Vorrichtungen sammeln und aufbewahren muss).
7. Den Inhaber über die noch vorhandenen Gefahren und Risiken informieren (in schriftlicher Form, zum Beispiel in der Anleitung „Anweisungen und Hinweise für den Benutzer der Automatisierung“, bevor der Automatismus in Betrieb gesetzt wird).

6) Wartung und Entsorgung

In diesem Kapitel sind die Informationen zur Durchführung des Wartungsplanes und für die Entsorgung von TUB3500 angegeben.

6.1) Wartung

Damit das Sicherheitsniveau konstant bleibt und die maximale Dauer der ganzen Automatisierung gewährleistet werden kann, ist eine regelmäßige Wartung erforderlich.

⚠ Die Wartung muss unter genauester Einhaltung der Sicherheitsvorschriften in der vorliegenden Anleitung und nach den gültigen Gesetzen und Vorschriften durchgeführt werden.

Was die anderen Vorrichtungen (nicht TUB3500) betrifft, ist der jeweilige Wartungsplan zu befolgen.

1. Für TUB3500 ist eine programmierte Wartung maximal alle 6 Monate oder 10.000 Bewegungen nach der vorherigen Wartung erforderlich.

2. Alle eventuellen elektrischen Versorgungsquellen abtrennen.
3. Den Verschleiß aller Materialien der Automatisierung überprüfen, insbesondere was Erosionen oder Roststellen an den strukturellen Teilen betrifft; Teile, die keine ausreichende Garantie geben, müssen ersetzt werden.
4. Den Verschleiß der sich bewegenden Teile überprüfen, wie Ritzel, Zahnstange und alle Teile des Tors; abgenutzte Teile müssen ersetzt werden.
5. Die elektrischen Versorgungsquellen wieder anschließen und die Überprüfungen in Paragraph "5.1 Abnahme" ausführen.

6.2) Entsorgung

TUB3500 besteht aus verschiedenen Stoffen, von denen einige recycled werden können, andere müssen hingegen entsorgt werden.

⚠ Einige elektronische Komponenten könnten Schadstoffe enthalten: nicht in die Umwelt geben.

Informieren Sie sich über die Recycling- oder Entsorgungssysteme und halten Sie sich an die örtlich gültigen Vorschriften.

1. Die elektrische Versorgung vom Automatismus abtrennen.
2. Alle Vorrichtungen und Zubehörteile abmontieren, hierzu das Verfahren in Kapitel "3 Installation" umgekehrt ausführen.

3. Soweit möglich die Teile, die verschiedenartig recycled oder entsorgt werden können bzw. müssen, wie z.B. Plastikteile, elektronische Steuerkarten usw. voneinander trennen
4. Sortieren und die so getrennten Werkstoffe örtlichen Wiederverwertungs- und Entsorgungsstellen anvertrauen.

7) Technische Merkmale

Für eine Verbesserung der Produkte behält sich NICE S.p.a. das Recht vor, die technischen Merkmale jederzeit und ohne vorherige Benachrichtigung zu ändern, wobei aber vorgesehene Funktionalitäten und Einsätze erhalten bleiben.

Alle technischen Merkmale beziehen sich auf eine Temperatur von 20°C (±5°C)

Technische Merkmale: TUB3500

Typik	Elektromechanischer Toröffner selbstbremsend komplett mit elektronischer Steuerung für die automatische Bewegung industrieller Schiebetore
Ritzel	Z= 18; Modul=6; Teilung=18.8; Teilkreisdurchmesser=108mm
Max. Anlaufdrehmoment	418Nm; entspricht der Fähigkeit, ein Tor in Bewegung zu setzen, dessen statische Reibung eine Widerstandslast bis zu 7740N entwickelt
Nenn Drehmoment	190Nm; entspricht der Fähigkeit, ein Tor in Bewegung zu halten, dessen dynamische Reibung eine Widerstandslast bis zu 3520N entwickelt
Geschwindigkeit bei Drehmoment	0.167m/s (10m/Min.)
Max. Häufigkeit der Betriebszyklen	200 Zyklen/Tag
Dauerbetriebszeit	30 Minuten (die Steuerung sieht eine max. Arbeitszeit von 120 Sekunden vor, die auf 210 Sekunden geändert werden kann).
Einsatzgrenzen	Gewöhnlich können mit TUB3500 Tore mit einem Gewicht bis 3500 kg und einer Länge bis 30 m automatisiert werden.
Versorgung	Dreiphasig 400Vac +/-10%; 50Hz.
Max. Leistungsaufnahme	550 W
Isolationsklasse	1 (eine Sicherheitserdung ist erforderlich)
Betriebstemperatur	-20°C ÷ 50°C
Benutzung in säure- und salzhaltiger oder explosionsgefährdeter Umgebung	Nein
Schutzart	IP 44
Abmessungen und Gewicht	580X480X240; 60Kg

Weitere technische Merkmale befinden sich in der Anleitung der Steuerung A500.

Wir gratulieren Ihnen zur Wahl eines Nice Produktes für Ihre Automatisierung!

Nice S.p.A. stellt Bestandteile für die Automatisierung von Türen und Toren, Rollläden und Markisen her: Getriebemotoren, Steuerungen, Funksteuerungen, Blinkleuchten, Photozellen und Zubehör.

Nice verwendet ausschließlich Werkstoffe und Verarbeitungen hochstehender Qualität und ist aufgrund der Nice Betriebsphilosophie immer auf der Suche nach innovativen Lösungen, um die Verwendung der Nice Apparaturen, vom technischen, ästhetischen und ergonomischen Standpunkt her besonders gepflegt, zu erleichtern: Ihr Installateur wird bestimmt das richtige Produkt in der großen Nice Palette für Sie ausgewählt haben.

Nice ist jedoch nicht der Hersteller Ihrer Automatisierung, die das Ergebnis von Analysen, Bewertungen, Auswahl der Materialien und der Durchführung der Anlage durch Ihren Vertrauensinstallateur ist.

Jede Automatisierung ist einzigartig, und nur Ihr Installateur besitzt die Erfahrung und Professionalität, die notwendig sind, um eine Anlage nach Ihrem Bedarf auszuführen, die sicher und dauerhaft zuverlässig und vor allem fachgerecht ist bzw. den gültigen Vorschriften entspricht. Eine Automatisierungsanlage ist etwas sehr bequemes, aber auch ein wertvolles Sicherheitssystem und dauert mit nur wenigen Eingriffen bestimmt jahrelang.

Auch wenn Ihre Automatisierung den von den Vorschriften geforderten Sicherheitsniveaus entspricht, schließt dies das Vorhandensein von "Restrisiken" nicht aus, womit die Möglichkeit gemeint ist, dass gewöhnlich aufgrund eines verantwortungslosen oder falschen Gebrauchs Gefahren erzeugt werden können; wir möchten Ihnen deshalb ein paar Ratschläge geben, wie Sie sich verhalten sollten, um allen Unannehmlichkeiten aus dem Weg zu gehen:

• **Bevor Sie die Automatisierung zum ersten Mal verwenden**, lassen Sie sich von Ihrem Installateur erklären, wie Restrisiken entstehen können, und widmen Sie dem Lesen der **Anweisungen und Hinweise für den Benutzer**, die Ihnen Ihr Installateur aushändigen wird, ein paar Minuten. Bewahren Sie die Anleitung für zukünftige Zweifelsfälle auf und übergeben Sie diese ggf. einem neuen Besitzer der Automatisierung.

• **Ihre Automatisierung ist eine Maschine, die Ihre Befehle getreu durchführt**; ein verantwortungsloser und unsachgemäßer Gebrauch kann gefährlich werden: verursachen Sie keine Bewegung der Automatisierung, wenn sich Personen, Tiere oder Gegenstände in ihrem Aktionskreis befinden.

• **Kinder**: eine Automatisierungsanlage gewährleistet einen hohen Sicherheitsgrad und verhindert mit ihren Schutzsystemen, dass sie sich bei Anwesenheit von Personen und Gegenständen bewegt, und gewährleistet eine immer vorhersehbare und sichere Aktivierung. Als Vorsichtsmaßnahme sollte man aber Kindern verbieten, in der Nähe der Automatisierung zu spielen, und man sollte die Fernbedienungen nicht in der Reichweite von Kindern lassen: **es handelt sich nicht um ein Spiel!**

• **Störungen**. Schalten Sie die Stromversorgung zur Anlage ab, sobald Sie ein ungewöhnliches Verhalten der Automatisierung bemerken, und führen Sie die manuelle Entriegelung aus. Versuchen Sie nie, selbst Reparaturen auszuführen, sondern fordern Sie den Eingriff Ihres Vertrauensinstallateurs an: in der Zwischenzeit, nachdem Sie den Getriebemotor wie weiter vorne beschrieben entriegelt haben, kann die Anlage wie eine nicht automatisierte Vorrichtung funktionieren.

• **Wartung**. Wie jede Maschine benötigt auch Ihre Automatisierung eine regelmäßige Wartung, damit sie so lange wie möglich und in voller Sicherheit funktionieren kann. Vereinbaren Sie mit Ihrem Installateur einen programmierten Wartungsplan. Nice empfiehlt eine programmierte Wartung alle sechs Monate bei Normalgebrauch für den Haushalt, dieser Zeitraum kann aber je nachdem, wie häufig die Anlage benutzt wird, unterschiedlich sein. Arbeiten wie Wartung, Kontrollen und Reparaturen dürfen nur von Fachpersonal ausgeführt werden.

• Auch wenn Sie meinen, dass Sie wissen, wie das gemacht wird, ändern Sie die Anlage und die programmierten Parameter sowie die Einstellungen der Automatisierung nicht: diese Verantwortung steht Ihrem Installateur zu.

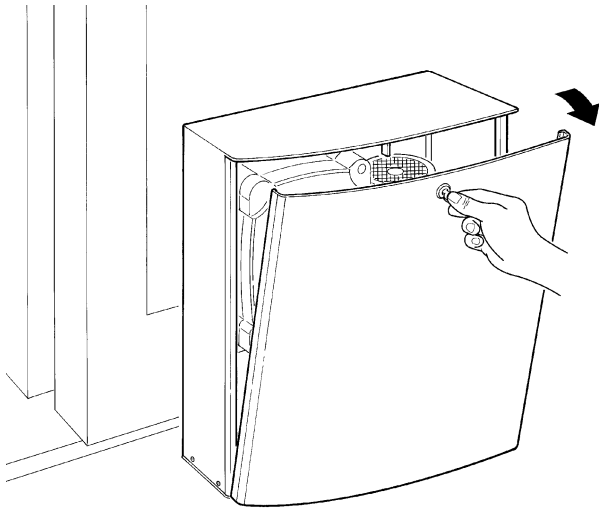
• Die Endabnahme, die periodischen Wartungen und eventuelle Reparaturen müssen von dem, der diese Arbeiten ausführt, belegt sein, und diese Belege müssen vom Besitzer der Anlage aufbewahrt werden.

• **Entsorgung**. Versichern Sie sich, dass die Entsorgung am Ende der Lebensdauer Ihrer Automatisierung von Fachpersonal gemacht wird und dass die Materialien nach den örtlich gültigen Vorschriften recycled oder entsorgt werden.

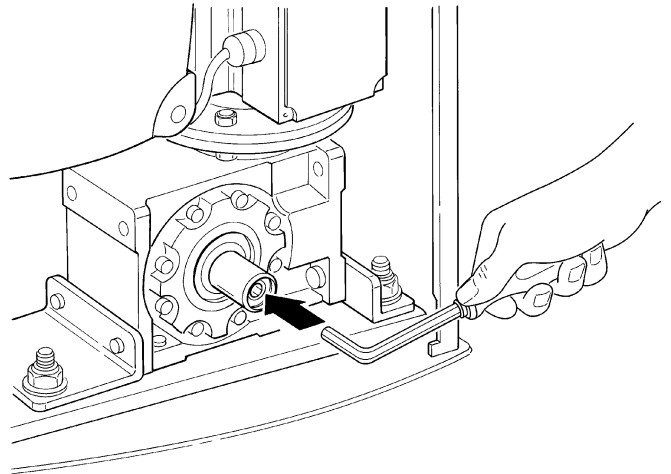
• **Im Falle von Defekten oder bei Stromausfall**. Solange Sie auf Ihren Installateur (oder bis der Strom wieder vorhanden ist, falls Ihre Anlage keine Pufferbatterie hat) warten, kann die Anlage wie eine beliebige nicht automatisierte Öffnungsvorrichtung betätigt werden. Dazu muss die manuelle Entriegelung ausgeführt werden. Dieser Vorgang, der einzige, den der Benutzer der Automatisierung ausführen kann, wurde mit besonderer Aufmerksamkeit von Nice behandelt, damit Sie diese Vorrichtung immer mit größter Einfachheit, ohne Werkzeug und ohne körperliche Anstrengungen betätigen können.

Entriegelung und manuelle Bewegung Achtung: die Entriegelung kann und darf nur bei stehendem Tor ausgeführt werden.

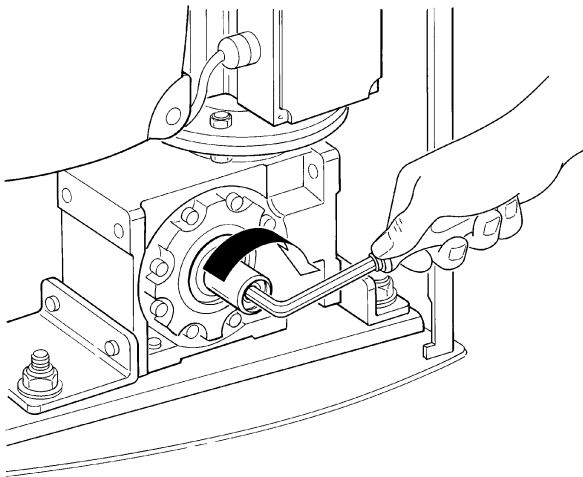
1. Die Tür von TUB3500 mit dem mitgelieferten Schlüssel öffnen – siehe Abbildung 9.
2. Den Sechskantschlüssel in die Welle stecken – Abbildung 10.
3. Die Schraube **ganz** in die Welle schrauben – siehe Abbildung 11.
4. Den Sechskantschlüssel herausziehen und die Tür von TUB3500 schließen..
5. Das Tor von Hand bewegen – siehe Abbildung 12.



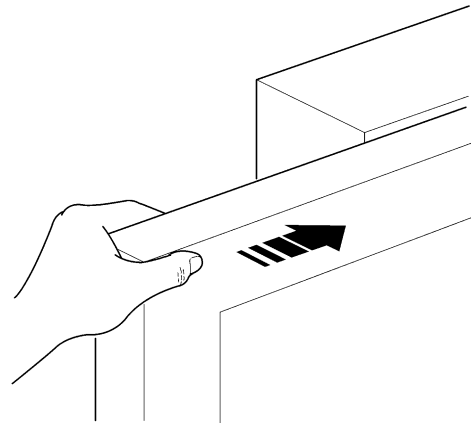
9



10



11



12

Zum Verriegeln, die Vorgänge umgekehrt ausführen.

Einen defekten Automatismus so schnell wie möglich reparieren lassen.

Sind Sie zufrieden? Wenn Sie eine neue Automatisierung für Ihr Haus wollen und sich an denselben Installateur und an Nice wenden, werden Sie sich die Beratung eines Fachmanns und die fortgeschrittensten Produkte auf dem Markt, aber auch den besten Betrieb und die größte Verträglichkeit zwischen den Automatisierungen zusichern.

Wir danken Ihnen, dass Sie diese Ratschläge gelesen haben, und wünschen Ihnen größte Zufriedenheit mit Ihrer neuen Anlage: wenden Sie sich für gegenwärtige oder zukünftige Bedarfsfälle vertrauensvoll an Ihren Installateur.

Tub

Índice:

pág.

1	Advertencias	42	4.3	Control del movimiento de la puerta	46
2	Descripción del producto y uso previsto	43	5	Ensayo y puesta en servicio	47
2.1	Límites de utilización	43	5.1	Ensayo	47
2.2	Instalación típica	43	5.2	Puesta en servicio	47
2.3	Lista de los cables	44	6	Mantenimiento y desguace	48
3	Instalación	44	6.1	Mantenimiento	48
3.1	Controles preliminares	44	6.2	Desguace	48
3.2	Fijación del motorreductor	45	7	Características técnicas	48
3.3	Instalación de los diferentes dispositivos en la central	46		Instrucciones y advertencias destinadas al usuario del motorreductor TUB3500	49
3.4	Conexiones eléctricas	46			
4	Control del funcionamiento	46			
4.1	Conexión de la alimentación	46			
4.2	Control de la dirección	46			

1) Advertencias

Este manual de instrucciones contiene informaciones importantes en materia de seguridad para la instalación; es necesario leer detenidamente todas las instrucciones antes de comenzar la instalación. Conserve este manual en buenas condiciones para su consultación posterior.

Considerando las situaciones de peligro que pueden generarse durante la instalación y el uso de TUB3500 es oportuno que también la instalación sea realizada respetando plenamente las leyes, normas y reglamentos. En este capítulo se indicarán las advertencias de tipo general; otras advertencias importantes están presentes en los capítulos "3.1 Controles preliminares" y "5 Ensayo y puesta en servicio".

⚠ Según la legislación europea más reciente, la realización de una puerta o cancela automática entra en el ámbito de las disposiciones de la Directiva 98/37/CE (Directiva de Máquinas) y, en particular, de las normas: EN 12445; EN 12453 y EN 12635 que permiten declarar la presunción de conformidad.

Más informaciones, directrices para el análisis de los riesgos y para la realización del Expediente Técnico están disponibles en: "www.nicefor-you.com".

- Este manual está destinado exclusivamente a personal técnico cualificado para la instalación. Salvo el anexo específico que el instalador se encargará de separar, "Instrucciones y advertencias destinadas al usuario del motorreductor TUB3500", ninguna de las informaciones aquí incluidas puede ser de interés para el usuario final.
- Está prohibido utilizar el TUB3500 con una finalidad diferente de aquella dispuesta en estas instrucciones; un uso inadecuado puede causar peligros o daños a las personas o bienes.
- Antes de comenzar la instalación es oportuno efectuar un análisis de los riesgos que incluya la lista de los requisitos esenciales de seguridad previstos en el anexo I de la Directiva de Máquinas, indicando las soluciones correspondientes adoptadas.

Recuérdese que el análisis de los riesgos es uno de los documentos que forman el "expediente técnico" del automatismo.

- Compruebe si es necesario incorporar otros dispositivos que puedan servir para completar el automatismo con TUB3500 según la situación de empleo específica y los peligros presentes: por ejemplo, deben considerarse los peligros de impacto, aplastamiento, corte, arrastre, etc. y otros peligros en general.

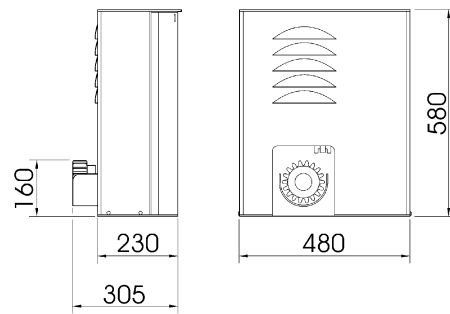
- No modifique ninguna parte salvo que esté previsto en estas instrucciones; los trabajos de este tipo pueden causar solamente desperfectos; NICE no es responsable de los daños que deriven de productos modificados.
- Durante la instalación y el uso procure que no puedan entrar elementos sólidos o líquidos dentro de la central o de otros dispositivos abiertos; de ser oportuno, diríjase al servicio de asistencia NICE; el uso de TUB3500 en situaciones análogas puede originar peligros.
- El automatismo no puede utilizarse antes de haberlo puesto en servicio tal como especificado en el capítulo "5 Ensayo y puesta en servicio".

- El material de embalaje de TUB3500 debe eliminarse respetando la normativa local.
- Si el desperfecto no pudiera resolverse utilizando las informaciones indicadas en este manual, diríjase al servicio de asistencia NICE.
- Si se desconectaran los interruptores automáticos o los fusibles, antes de restablecerlos hay que localizar y eliminar la avería.
- Antes de acceder a los bornes internos de TUB3500, desconecte todos los circuitos de alimentación, por ejemplo, utilizando el interruptor magnetotérmico montado en la central.

2) Descripción del producto y uso previsto

TUB3500 es un motorreductor para puertas de corredera de grandes dimensiones para uso industrial, con central incorporada y preparado para conectar los receptores NICE.

Funciona con energía eléctrica; si se corta la alimentación eléctrica, es posible desbloquear el motorreductor con una llave específica y mover la puerta manualmente.



1

2.1) Límites de utilización

Los datos referidos a las prestaciones de TUB3500 están indicados en el capítulo "7 Características técnicas" y son los únicos valores que permiten la evaluación correcta de la idoneidad para su uso.

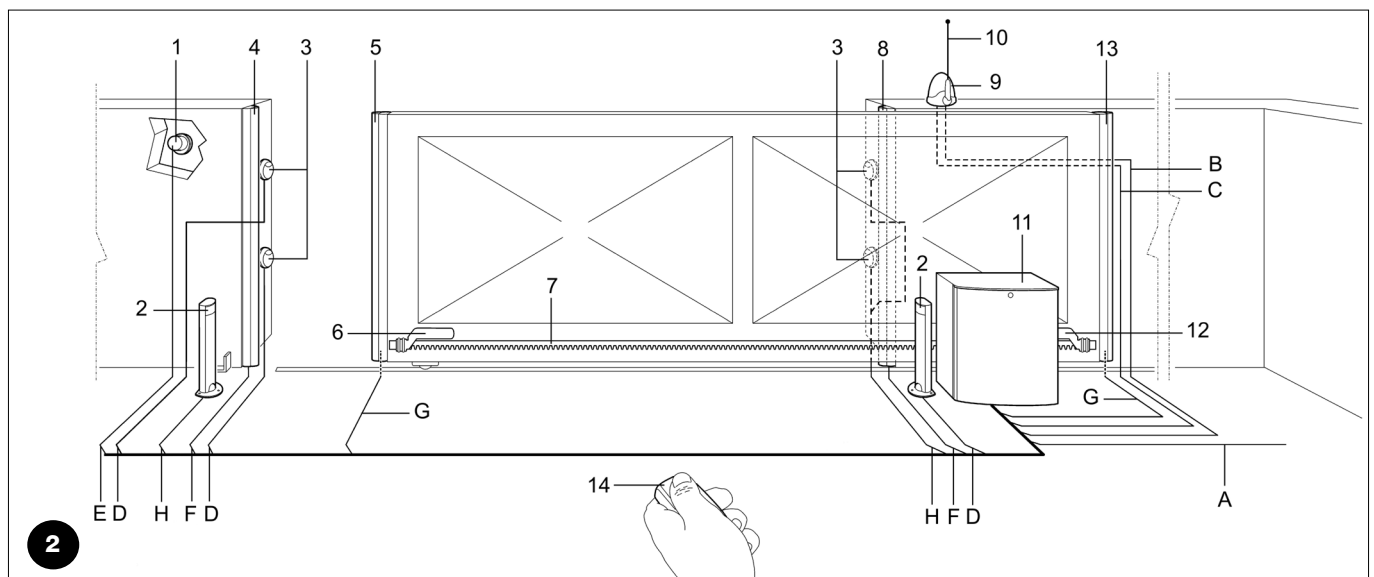
Generalmente, TUB3500 es adecuado para automatizar puertas de hasta 3500 kg de peso o con de hasta 30 m de largo, según las indicaciones de la tabla N°1

Tabla N°1: límites con relación a la longitud de la hoja

Longitud hoja metros	Ciclos/hora máximos
Hasta 5	30
5÷10	15
10÷15	10
15÷20	7
20÷25	6
25÷30	5

2.2) Instalación típica

En la figura se muestra la instalación típica de la automatización de una puerta de corredera utilizando TUB3500.



2

- | | | |
|---|---|---|
| 1. Selector de llave | 6. Estribo del tope de fin de carrera "Aper-tura" | 11. Motor |
| 2. Fotocélulas montadas en columna | 7. Cremallera | 12. Estribo del tope de fin de carrera "Cierre" |
| 3. Fotocélulas FOTO | 8. Banda de seguridad secundaria monta-da en elemento fijo (opcional) | 13. Banda de seguridad secundaria monta-da en elemento móvil (opcional) |
| 4. Banda de seguridad principal montada en elemento fijo (opcional) | 9. Luz intermitente | 14. Radio transmisor |
| 5. Banda de seguridad principal montada en elemento móvil | 10. Antena | |

2.3) Lista de los cables

En la instalación típica de la figura 2 se indican también los cables necesarios para las conexiones de los diversos dispositivos; en la tabla N°2 se indican las características de los cables.

⚠ Los cables utilizados deben ser adecuados para el tipo de instalación; por ejemplo, se aconseja un cable tipo H05VV-F para instalación en ambientes internos o bien H07RN-F para instalación en exteriores.

Tabla N°2: lista de cables

Conexión	Tipo de cable	Longitud máxima admitida
A. Línea eléctrica de alimentación	N° 1 cable 4 x 1,5 mm ²	30 m (1)
B. Luz intermitente	N° 1 cable 2 x 1,5 mm ²	20 m
C. Antena	N° 1 cable blindado tipo RG58	(recomendada menor que 5 metros)
D. Fotocélulas transmisor	N° 1 cable 2 x 0,25 mm ²	30 m (3)
E. Selector de llave	N° 2 cables 2 x 0,25 mm ²	50 m (2)
F. Bandas de seguridad montadas en elementos fijos	N° 1 cable 2 x 0,5 mm ²	30 m (4) (6)
G. Bandas de seguridad montadas en elementos móviles	N° 1 cable 2 x 0,5 mm ²	30 m (4) (5) (6)
H. Fotocélulas receptor	N° 2 cables 2 x 0,25 mm ²	30 m (2) (3)

Nota 1: si el cable de alimentación supera los 30 m de largo, hay que utilizar un cable con sección mayor, por ejemplo 4x2,5mm² y es necesario que haya una puesta a tierra de seguridad cerca de la automatización.

Nota 2: los dos cables 2x0,25mm² pueden sustituirse con un solo cable de 4x0,25mm².

Nota 3: utilice cables blindados si la longitud supera los 30 m, conectando el cable de tierra sólo del lado de la central.

Nota 4: en aplicaciones especiales puede resultar necesario utilizar varias bandas sensibles. Si hay montada más de una banda, véase el tipo de conexión recomendada.

Nota 5: para la conexión de las bandas sensibles montadas en elementos móviles sobre puertas de corredera, hay que utilizar dispositivos oportunos que permitan la conexión también con la puerta en movimiento.

Nota 6: el número de conductores necesarios para la conexión de las bandas sensibles montadas en elementos móviles o fijos depende de la técnica utilizada para garantizar la categoría de seguridad oportuna. El ejemplo se refiere a las bandas TCB65 conectadas a las interfaces TCE

3) Instalación

⚠ La instalación de TUB3500 debe ser efectuada exclusivamente por personal cualificado, respetando las leyes, normas y reglamentos y todo aquello indicado en estas instrucciones.

3.1) Controles preliminares

Antes de comenzar con la instalación de TUB3500 es necesario efectuar los siguientes controles:

- Controle que todo el material a utilizar esté en perfectas condiciones, sea adecuado para su uso y que respete las normas.
- Controle que la estructura de la puerta sea adecuada para su automatización.
- Controle que el peso de la puerta esté comprendido dentro del límite máximo de 3500 kg y que tenga una longitud máxima de 30 m.
- Controle que en toda la carrera de la puerta, tanto de cierre como de apertura, no haya puntos de mayor fricción.
- Controle que no exista el peligro de que la hoja se descarrile y que no se pueda salir de las guías
- Compruebe la robustez de los topes mecánicos de sobrerrecorrido, controlando que no se produzcan deformaciones tampoco si la puerta golpea con fuerza contra el tope.
- Controle que la puerta esté bien equilibrada, es decir que no se mueva al dejarla detenida en cualquier posición.
- Controle que la zona de fijación del motorreductor no pueda inundarse; de ser oportuno, monte el motorreductor levantado del piso.
- Controle que la zona de fijación del motorreductor permita el desbloqueo y una maniobra manual fácil y segura.
- Controle que los puntos de fijación de los distintos dispositivos se encuentren en zonas protegidas de choques y que las superficies sean suficientemente firmes.
- Los componentes del automatismo no deben quedar sumergidos en agua o en otras sustancias líquidas.
- No coloque TUB3500 cerca de llamas o fuentes de calor, en atmósferas con riesgo de explosión, muy ácidas o salinas; porque TUB3500 podría arruinarse y tener problemas de funcionamiento o generar situaciones de peligro.
- Si hubiera un portillón de paso en la misma hoja o una puerta en la zona de movimiento de la hoja, asegúrese de que no obstaculice la carrera normal e incorpore un sistema de interbloqueo oportuno en su caso.
- Conecte la central a una línea de alimentación eléctrica dotada de puesta a tierra de seguridad.
- La línea de alimentación eléctrica debe estar protegida por un dispositivo magnetotérmico y diferencial adecuado.

3.2) Fijación del motorreductor

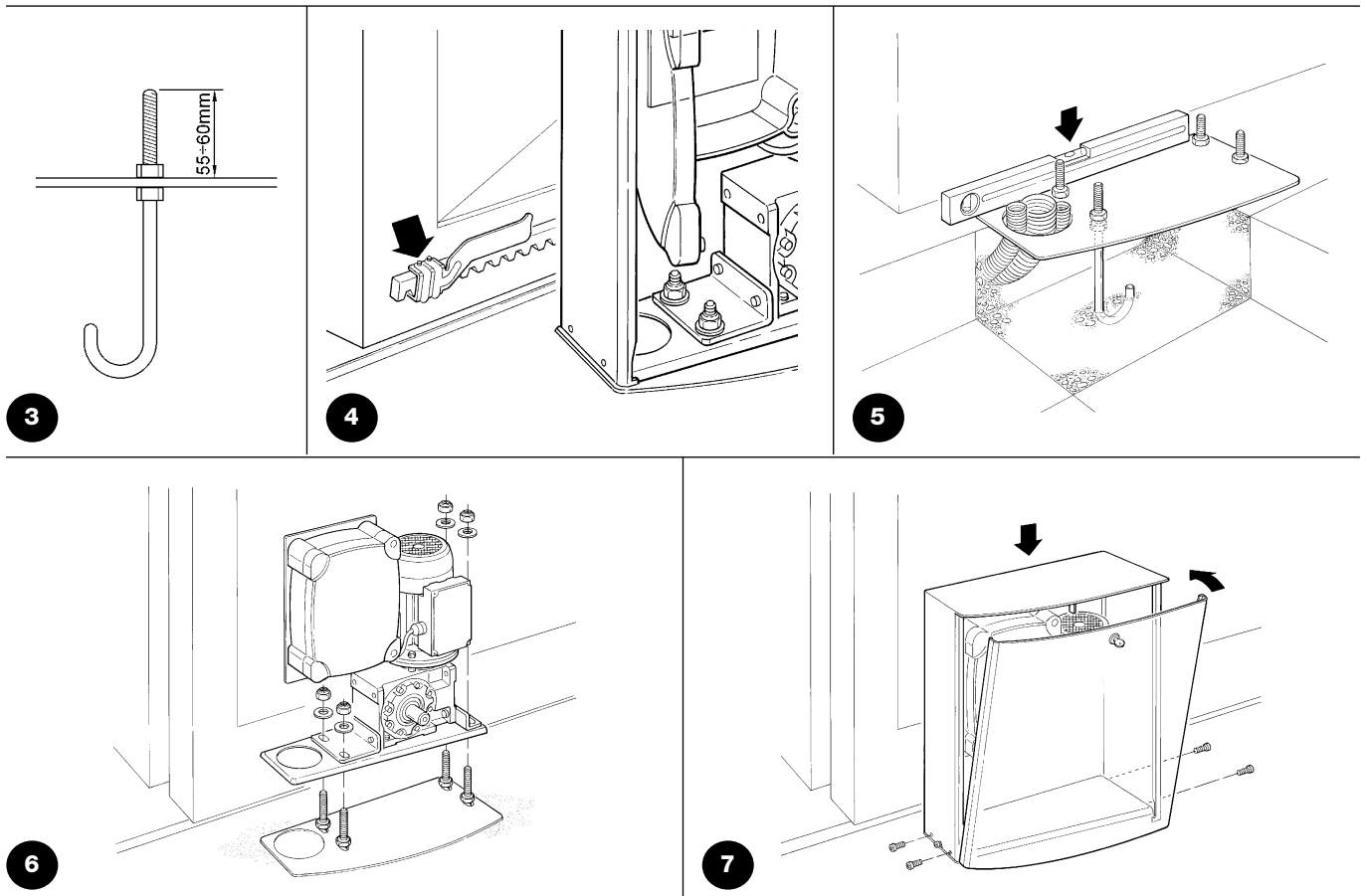
Si la superficie de apoyo estuviera hecha, el motorreductor deberá fijarse directamente sobre dicha superficie utilizando elementos adecuados, por ejemplo tacos de expansión.

En caso contrario, para fijar el motorreductor siga estos pasos:

1. Realice un pozo de cimentación de dimensiones adecuadas.
2. Haga llegar uno o varios tubos para que pasen los cables eléctricos, como muestra la Figura 5.
3. Ensamble las 4 grapas en la placa de cimentación colocando una tuerca abajo y una encima de la placa, como muestra la figura 3, a fin de que la parte roscada sobresalga lo más posible de la placa.
4. Realice la colada de hormigón y, antes de que comience a fraguar, coloque la placa de cimentación; compruebe que ésta quede paralela a la hoja y perfectamente nivelada, como muestra la fig. 5. Espere el fin de fraguado del hormigón.
5. Quite la carcaza del motorreductor, siguiendo la operación en el orden inverso de aquel indicado en la figura 7.
6. Apoye el motorreductor sobre la placa de cimentación y colóquelo perfectamente paralelo a la hoja; después fíjelo con fuerza a las 4 grapas con las 4 tuercas y sus arandelas, como muestra la figura 6.
7. Desbloquee el piñón tal como indicado en el párrafo "Desbloqueo y movimiento manual" en el capítulo "Instrucciones y advertencias destinadas al usuario del motorreductor TUB3500"
8. Abra completamente la puerta, apoye sobre el piñón el primer tramo de cremallera y controle que el comienzo de la cremallera corresponda con el comienzo de la puerta. Controle que entre el piñón y la cremallera haya un juego de 2÷3 mm; después fije la cremallera a la hoja utilizando los elementos adecuados.

⚠ Para evitar que el peso de la hoja pueda cargar sobre el motorreductor, es importante que entre la cremallera y el piñón haya un juego de 2÷3 mm.

9. Haga deslizar la hoja y utilice siempre el piñón como referencia para fijar los demás elementos de la cremallera.
10. Corte la parte excedente del último tramo de la cremallera.
11. Abra y cierre varias veces la puerta, comprobando que la cremallera se deslice alineada al piñón con una desalineación máxima de 10-15 mm y que a todo lo largo se haya respetado un juego de 2÷3 mm entre el piñón y la cremallera.
12. Fije con los tornillos sin cabeza correspondientes los soportes de fin de carrera de "Apertura" y de "Cierre" en los extremos de la cremallera, véase la figura 4. Tenga en cuenta que cuando se activan los fines de carrera, la puerta se moverá otros 2÷3 cm, por lo que se aconseja colocar los soportes de fin de carrera dejando un margen oportuno en los topes mecánicos.
13. Realice la operación del punto 7 en el orden inverso y bloquee el piñón.
14. Fije la carcaza a TUB3500, como se muestra en la figura 7, y controle que la palanca del fin de carrera, colocada sobre el piñón, se mueva libremente.
15. Cierre la puerta del motorreductor y compruebe que esté accionado el microinterruptor de seguridad situado a la derecha del motor eléctrico.



E

3.3) Instalación de los diferentes dispositivos en la central.

Instale los demás dispositivos previstos siguiendo las instrucciones correspondientes. Controle en el párrafo "mindyA500" los dispositivos que pueden conectarse a TUB3500.

3.4) Conexiones eléctricas

⚠ Todas las conexiones eléctricas deben ser efectuadas con la tensión de la instalación cortada y por personal experto y cualificado, que posea los requisitos exigidos, respetando las leyes, normas y reglamentos vigentes.

1. Para abrir la puerta de la central y acceder a la tarjeta electrónica de control de TUB3500, quite los 2 tornillos de plástico amarillos.

2. Corte a la medida justa los prensaestopas situados abajo de la central y pase todos los cables eléctricos.
3. Bloquee todos los cables con un par de abrazaderas para cables.
4. Para efectuar las conexiones eléctricas, siga con atención las instrucciones de la central en el manual "mindyA500".

4) Control del funcionamiento

Antes de comenzar el control y de poner en marcha la automatización, se aconseja colocar la puerta en la mitad de su carrera para que pueda abrirse o cerrarse libremente.

4.1) Conexión de la alimentación

⚠ La conexión de la alimentación a TUB3500 debe ser hecha por personal experto y cualificado que posea los requisitos exigidos y respetando las normas, leyes y reglamentos.

• Ni bien se suministre la alimentación a TUB3500 armando el magnetotérmico montado en la central eléctrica, controle que el led OK, situado en la central eléctrica, empiece a parpadear y que el led de la entrada Foto esté encendido.

- Ahora pulse la palanca del microinterruptor situado a la derecha del motor eléctrico y compruebe que también se enciendan los leds de STOP y de los fines de carrera FCA y FCC.
- Si así no fuera, se aconseja apagar inmediatamente la alimentación de la central y controlar más detenidamente las conexiones eléctricas.
- Otras informaciones útiles para la búsqueda y el diagnóstico de las averías se encuentran en manual de la central "mindyA500".

4.2) Control de la dirección

Con la alimentación del motor tipo trifásico, la dirección del movimiento del motor depende de la conexión de las 3 fases de alimentación, por consiguiente, no es posible prever anticipadamente si el motor gira hacia el lado previsto y si los fines de carrera se accionan en la dirección de movimiento requerida.

Para poner a punto la dirección del movimiento, hay que realizar los controles siguiendo las operaciones descritas a continuación.

a. Control de la dirección del motor:

coloque la puerta en la mitad de la carrera, accione un impulso de mando en la entrada de Abrir de la central A500 (borne N°20) y compruebe que la puerta se mueva hacia la dirección de apertura. Si la dirección fuera correcta, pase al punto siguiente; en

caso contrario, corte inmediatamente la alimentación de la central e invierta la conexión de los cables en los bornes 3 y 4 de la regleta del A500; luego, compruebe nuevamente la dirección del motor.

b. Control de la activación del fin de carrera:

durante el movimiento de apertura del motor, antes de que la puerta llegue a abrirse totalmente, simule el accionamiento del fin de carrera en la dirección requerida y controle que la maniobra se detenga. Si así no fuera, corte inmediatamente la alimentación de la central e invierta la conexión de los bornes 10 y 12 de la regleta del A500; luego, compruebe nuevamente la activación de los fines de carrera.

4.3) Control del movimiento de la puerta

Después de haber fijado correctamente los soportes de fin de carrera (figura 4) en la cremallera, se aconseja efectuar algunas maniobras para verificar el movimiento correcto de la puerta.

1. Accione una maniobra de apertura:

- a. Controle que la puerta se abra a velocidad constante;
- b. Controle que el soporte de fin de carrera (figura 4) accione el microinterruptor, deteniendo la hoja y permitiéndole un desplazamiento máximo de otros 2-3 cm (tenga en cuenta que cuando hace calor el tiempo de parada de la hoja podría aumentar).
- c. Cuando la hoja está detenida, compruebe que la puerta se haya detenido a 4-5 cm de su tope.

2. Accione una maniobra de cierre, como en el punto 1.

3. Si el espacio de parada de la hoja es superior a 2-3 cm regule el freno mecánico tal como indicado en el párrafo "5.1 Ensayo".

4. Realice varias maniobras de apertura y cierre a fin de observar posibles defectos de montaje y de regulación u otras irregularidades, por ejemplo puntos con mayor fricción.

5. Controle que la fijación del motorreductor TUB3500, de la cremallera y de los soportes de fin de carrera sean firmes, estables y adecuadamente resistentes incluso durante los arranques y paradas violentos de la puerta.

5) Ensayo y puesta en servicio

Estas son las etapas más importantes de la realización del automatismo a fin de garantizar su máxima seguridad. El ensayo también puede usarse como control periódico de los dispositivos que componen el automatismo.

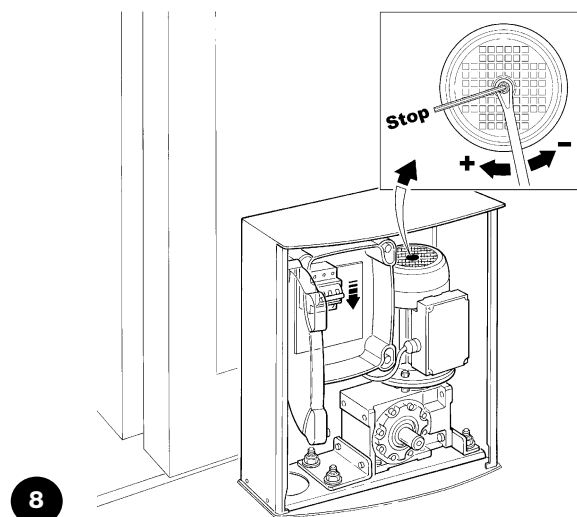
⚠ El ensayo de toda la instalación debe ser efectuado por personal cualificado y experto que deberá establecer los ensayos previstos de acuerdo con los riesgos presentes y controlar que se respeten las leyes, normativas y reglamentos, especialmente todos los requisitos de la norma EN 12445 que establece los métodos de ensayo de los automatismos para puertas..

5.1) Ensayo

Cada componente del automatismo, por ejemplo bandas sensibles, fotocélulas, parada de emergencia, etc., exige un ensayo específico; para dichos dispositivos se deberán seguir los procedimientos indicados en los manuales de instrucciones respectivos.

Para el ensayo del TUB3500 ejecute la siguiente secuencia de operaciones:

1. Controle que hayan sido respetadas estrictamente las indicaciones dadas en este manual y especialmente aquellas del capítulo "1 Advertencias";
2. Utilizando los dispositivos de mando o de parada previstos (selector de llave, botones de mando o transmisores), efectúe ensayos de apertura, cierre y parada de la puerta y compruebe que el comportamiento sea el previsto.
3. Controle uno por uno el funcionamiento correcto de todos los dispositivos de seguridad instalados en el sistema (fotocélulas, bandas sensibles, parada de emergencia, etc.).
4. Si las situaciones peligrosas causadas por el movimiento de la puerta se han prevenido limitando la fuerza de impacto, hay que medir la fuerza de acuerdo con la norma EN 12445.
5. Controle que el espacio de parada de la hoja sea de 2-3 cm, por el contrario regule el freno mecánico de la siguiente manera (figura 8):
 - a. Gire media vuelta en el sentido horario la tuerca que está en el eje motor;
 - b. Si media vuelta no fuera suficiente, enrosque otro poco la tuerca;
 - c. Tenga cuidado en no apretar mucho la tuerca porque podría bloquear completamente el motor eléctrico.



⚠ Atención: antes de regular el freno mecánico, es indispensable cortar la alimentación eléctrica, colocando en "OFF" el magnetotérmico de la central.

5.2) Puesta en servicio

La puesta en servicio puede llevarse a cabo sólo después de haber efectuado correctamente todas las etapas de ensayo de TUB3500 y de los demás dispositivos montados.

No está admitida la puesta en servicio parcial o en situaciones "precarias".

1. Realice y conserve durante al menos 10 años el expediente técnico de la automatización que deberá incluir como mínimo: dibujo de conjunto de la automatización, esquema de las conexiones eléctricas, análisis de los riesgos y soluciones adoptadas, declaración de conformidad del fabricante de todos los dispositivos utilizados (para TUB3500 utilice la Declaración de conformidad CE adjunta); copia del manual de instrucciones de uso y del plan de mantenimiento del automatismo.
2. Aplique a la puerta una placa con los siguientes datos: tipo de automatización, nombre y dirección del fabricante (responsable de la "puesta en servicio"), número de matrícula, año de fabricación y marcado "CE".
3. Fije de manera permanente en proximidad de la puerta una etiqueta o una placa que indique las operaciones para el desbloqueo y la maniobra manual.
4. Prepare y entregue al dueño la declaración de conformidad de la automatización.
5. Prepare y entregue al dueño el "Manual de instrucciones y advertencias para el uso de la automatización".
6. Prepare y entregue al dueño el plan de mantenimiento de la automatización (que debe incluir todas las prescripciones sobre el mantenimiento de cada dispositivo).
7. Antes de poner en funcionamiento la automatización, informe adecuadamente y por escrito al dueño (por ejemplo en el manual de instrucciones y advertencias para el uso de la automatización) acerca de los peligros y los riesgos presentes.

6) Mantenimiento y desguace

En este capítulo se mencionan las informaciones para realizar el plan de mantenimiento y el desguace de TUB3500.

6.1) Mantenimiento

Para mantener el nivel de seguridad constante y para garantizar la duración máxima de toda la automatización, es necesario efectuar un mantenimiento habitual.

⚠ El mantenimiento debe efectuarse respetando las prescripciones de seguridad de este manual y según las leyes y normativas vigentes.

Para los demás dispositivos diferentes de TUB3500 siga las instrucciones mencionadas en los planes de mantenimiento correspondientes.

1. TUB3500 requiere un mantenimiento programado antes de transcurridos 6 meses como máximo o 10.000 maniobras a partir del mantenimiento anterior.

2. Desconecte cualquier fuente de alimentación eléctrica.
3. Controle las condiciones de todos los materiales que componen la automatización, comprobando especialmente los fenómenos de corrosión y oxidación de las piezas de la estructura; sustituya las piezas que no sean seguras.
4. Controle el desgaste de las piezas en movimiento: piñón, cremallera y todas las piezas de la hoja, sustituya las piezas gastadas.
5. Conecte las fuentes de alimentación eléctrica y ejecute todos los ensayos y controles previstos en el párrafo "5.1 Ensayo".

6.2) Desguace

TUB3500 está formado de varios tipos de materiales, algunos de los cuales pueden reciclarse; acero, aluminio, plástico, cables eléctricos; otros deberán ser eliminados.

⚠ Algunos componentes electrónicos podrían contener sustancias contaminantes; no los abandone en el medio ambiente. Infórmese sobre los sistemas de reciclaje o eliminación respetando las normas vigentes locales.

1. Desconecte la alimentación eléctrica de la automatización.
2. Desmonte todos los dispositivos y accesorios, siguiendo el procedimiento en el orden inverso a aquel descrito en el capítulo "3 Instalación".

3. Separe dentro de lo posible las piezas que puedan o deban ser recicladas o eliminadas de otro modo, por ejemplo las piezas metálicas de aquellas de plástico, las tarjetas electrónicas, etc.
4. Separe y entregue los materiales a las empresas autorizadas para la recuperación y eliminación de residuos.

7) Características técnicas

Nice S.p.a., a fin de mejorar sus productos, se reserva el derecho de modificar las características técnicas en cualquier momento y sin previo aviso, garantizando la funcionalidad y el uso previstos.

Todas las características técnicas indicadas se refieren a una temperatura ambiente de 20°C (±5°C)

Características técnicas: TUB3500

Tipo	Motorreductor electromecánico autofrenante para el movimiento automático de puertas de
Piñón	Z = 18; Módulo = 6; Paso = 18.8; Diámetro primitivo = 108mm
Par máximo en el punto de arranque	418 Nm; correspondiente a la capacidad de mover una hoja cuya fricción estática desarrolla una carga resistente de hasta 7740N
Par nominal	190 Nm; correspondiente a la capacidad de mantener en movimiento una hoja cuya fricción dinámica desarrolla una carga resistente de hasta 3520N
Velocidad al par nominal	0.167m/s (10m/min)
Frecuencia máxima de los ciclos de funcionamiento	200 ciclos/día
Tiempo máximo de funcionamiento continuo	30 minutos (la central prevé un tiempo de funcionamiento máximo de 120 segundos, que puede modificarse en 210 segundos).
Límites de utilización	Generalmente TUB3500 es capaz de automatizar puertas con un peso de hasta 3500 Kg y longitud máx. de 30m.
Alimentación	Trifásica 400Vac +/-10%; 50Hz.
Potencia máxima absorbida	550 W
Clase de aislamiento	1 (es necesaria la puesta a tierra de seguridad)
Temperatura de funcionamiento	-20°C ÷ 50°C
Empleo en atmósfera ácida, salobre o con riesgo de explosión	No
Grado de protección	IP 44
Medidas y peso	580X480X240; 60Kg

Otras características técnicas están indicadas en las instrucciones de la central A500

Instrucciones y advertencias destinadas al usuario del motorreductor TUB3500

Felicitaciones por haber elegido un producto Nice para su automatización!

Nice S.p.A. produce componentes para la automatización de cancelas, puertas, persianas y toldos, tales como: motorreductores, centrales de mando, radiomandos, luces intermitentes, fotocélulas y accesorios.

Los productos Nice son fabricados sólo con materiales de calidad y excelentes mecanizados. Nuestra empresa busca constantemente soluciones innovadoras que simplifiquen aún más el uso de nuestros aparatos, los que son cuidados bajo todo aspecto (técnico, estético y ergonómico): en la gran gama Nice, su instalador puede escoger el producto que satisfaga de la mejor manera sus exigencias.

Nice no es quien escoge los componentes de su automatización, este es un trabajo de análisis, evaluación, elección de los materiales y realización de la instalación efectuado por su instalador de confianza.

Por lo tanto, cada automatización es única y sólo su instalador puede ejecutar una instalación a medida de sus exigencias (puesto que cuenta con la experiencia y profesionalidad necesarias), segura y fiable en el tiempo y, sobre todo, que respete las normativas vigentes.

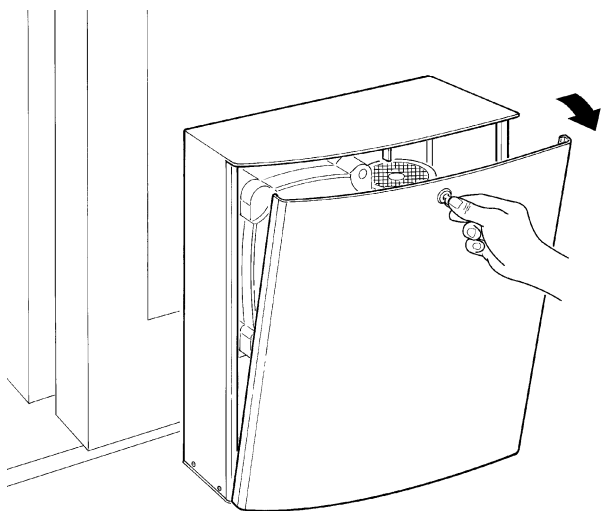
Una instalación de automatización es una gran comodidad, además de un sistema de seguridad válido y, con un mantenimiento reducido y sencillo, está destinada a durar por mucho tiempo.

Aunque bien su automatización satisfaga el nivel de seguridad requerido por las normativas, esto no excluye la existencia de un "riesgo residual", es decir, la posibilidad de que se puedan crear situaciones de peligro causadas por un uso inconsciente o incorrecto. Por dicho motivo, a continuación le damos algunos consejos sobre cómo comportarse para evitar inconvenientes:

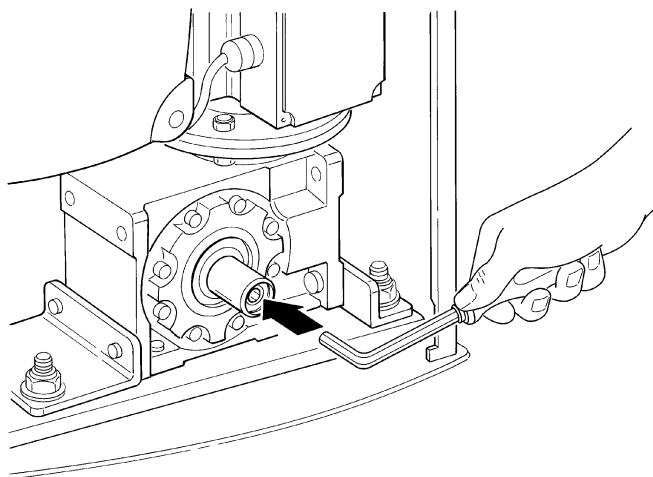
- **Antes de usar por primera vez la automatización**, pida a su instalador que le explique el origen de los riesgos residuales y lea este manual de **instrucciones y advertencias para el usuario** entregado por el instalador. Conserve el manual por cualquier problema que pueda surgir y recuerde entregarlo a un posible nuevo dueño de la automatización.
- **La automatización ejecuta fielmente los mandos dados**: un uso inconsciente o inadecuado puede ser peligroso. Por consiguiente, no accione la automatización cuando en su radio de acción haya personas, animales o cosas.
- **Niños**: una instalación de automatización garantiza un elevado grado de seguridad, impidiendo, gracias a sus sistemas de detección, que se mueva ante la presencia de personas o cosas y garantizando una activación previsible y segura. Procure que los niños no jueguen cerca de la automatización y mantenga los controles remotos lejos de su alcance: **no son un juguete!**
- **Desperfectos**: ni bien note que la automatización no funciona correctamente, corte la alimentación eléctrica de la instalación y realice el desbloqueo manual. No realice ninguna reparación y llame a su instalador de confianza: una vez desbloqueado el motorreductor, la instalación podrá funcionar manualmente como un cerramiento no automatizado.
- **Mantenimiento**: para garantizar una larga vida útil y para un funcionamiento seguro, la instalación, al igual que cualquier otra maquinaria, requiere un mantenimiento periódico. Establezca con su instalador un plan de mantenimiento con frecuencia periódica. Nice aconseja realizar un mantenimiento cada 6 meses para un uso residencial normal, que puede variar según la intensidad de uso. Cualquier tipo de control, mantenimiento o reparación debe ser realizado sólo por personal cualificado.
- Aunque piense que lo sabe hacer, no modifique la instalación ni los parámetros de programación y regulación del automatismo: la responsabilidad es de su instalador.
- El ensayo final, los trabajos de mantenimiento periódico y las posibles reparaciones deben ser documentados por quien los efectúa y los documentos tienen que ser conservados por el dueño de la instalación.
- **Desguace**: al final de la vida útil de la automatización, el desguace debe ser realizado por personal cualificado y los materiales deben ser reciclados o eliminados según las normas locales vigentes.
- **En el caso de roturas o falta de alimentación**: esperando la intervención de su instalador, o la llegada de la energía eléctrica si la instalación no está dotada de baterías compensadoras, la automatización puede accionarse igual que cualquier cerramiento no automatizado. A tal fin es necesario realizar el desbloqueo manual (única operación que el usuario puede realizar): dicha operación ha sido estudiada por Nice para facilitarle su empleo, sin necesidad de utilizar herramientas ni hacer esfuerzos físicos.

Desbloqueo y movimiento manual: antes de ejecutar esta operación tenga cuidado de que el desbloqueo puede efectuarse sólo cuando la hoja está detenida.

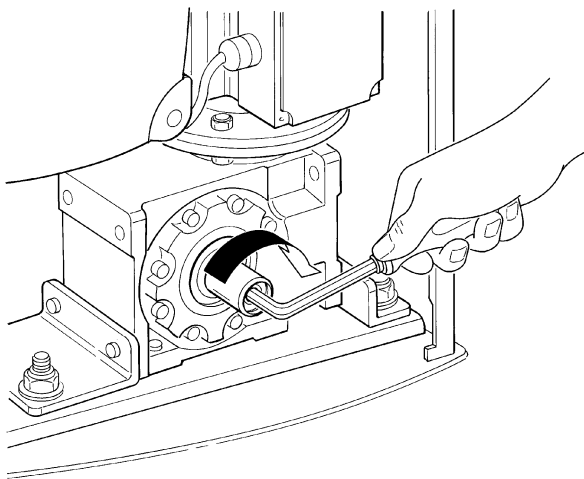
1. Abra la puerta de TUB3500 con la llave suministrada, figura 9.
2. Coja la llave hexagonal e introdúzcala en el eje, figura 10.
3. Enrosque **completamente** el tornillo en el interior del eje, tal como indicado en la figura 11.
4. Quite la llave hexagonal y cierre la puerta de TUB3500.
5. Mueva manualmente la hoja, tal como indicado en la figura 12.



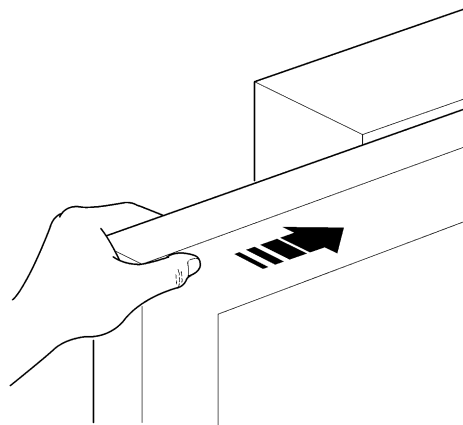
9



10



11



12

Para bloquear: efectúe las mismas operaciones en el orden inverso

En el caso de avería, es necesario hacer reparar lo antes posible el automatismo.

Está Ud. satisfecho? Si Ud. deseara montar en su casa una nueva automatización, contacte al mismo instalador y a Nice, así podrá contar con la garantía del asesoramiento de un experto y los productos más modernos del mercado, el mejor funcionamiento y la máxima compatibilidad de las automatizaciones.

Le agradecemos por haber leído estas recomendaciones y esperamos que esté satisfecho de su nueva instalación: ante cualquier exigencia, contacte con confianza a su instalador.

Tub

Spis:	pag.
1	Ostrzeżenia 52
2	Opis produktu i przeznaczenie 53
2.1	Ograniczenia zastosowania 53
2.2	Typowa instalacja 53
2.3	Wykaz przewodów 54
3	Instalowanie 54
3.1	Kontrola wstępna 54
3.2	Mocowanie siłownika 55
3.3	Instalowanie innych urządzeń na centrali 56
3.4	Połączenia elektryczne 56
4	Kontrola działania 56
4.1	Podłączenie zasilania 56
4.2	Kontrola kierunku 56
4.3	Kontrola ruchu bramy 56
5	Próby odbiorcze i rozruch 57
5.1	Odbiór 57
5.2	Przekazanie do pracy 57
6	Konserwacja i likwidacja 58
6.1	Konserwacja 58
6.2	Utylizacja 58
7	Dane techniczne 58
	Instrukcje i ostrzeżenia skierowane do użytkownika siłownika TUB3500 59

1) Ostrzeżenia

Ta instrukcja zawiera ważne informacje dotyczące bezpieczeństwa podczas instalowania, należy się z nią zapoznać przed rozpoczęciem prac instalacyjnych. Niniejsza instrukcję należy przechowywać w celu ewentualnej, przyszłej konsultacji.

Biorąc pod uwagę niebezpieczeństwa, jakie mogą wystąpić podczas instalowania i użytkowania TUB3500, dla zwiększenia bezpieczeństwa, instalacja musi odpowiadać przepisom, normom i uregulowaniom prawnym.

W tym rozdziale są przywołane wszystkie ostrzeżenia ogólne, inne, ważne ostrzeżenia są podane w rozdziałach "3.1 Kontrola wstępna"; "5 Odbiór i uruchomienie do pracy".

⚠ Według obowiązujących przepisów europejskich, wykonanie drzwi lub bramy automatycznej musi być zgodne z Dyrektywą 98/37/CE (Dyrektywa Maszyn), a w szczególności musi odpowiadać normom: EN 12445; EN 12453 i EN 12635, które pozwalają na uzyskanie świadectwa zgodności.

Dodatkowe informacje, wytyczne do analiz zagrożeń i Książka Techniczna, są dostępne na: www.niceforyou.com.

- Niniejsza instrukcja jest przeznaczona wyłącznie dla wykwalifikowanego personelu instalującego. Poza załączoną specyfikacją do oderwania dla instalatora, "Instrukcje i ostrzeżenia przeznaczone dla użytkownika siłownika TUB3500", żadna inna informacja zawarta w niniejszej broszurze nie jest potrzebna dla ostatecznego użytkownika!
- Użycie TUB3500 do innych celów niż przewidziano w niniejszej instrukcji jest zabronione; użycie niezgodne z przeznaczeniem może być powodem niebezpieczeństwa lub wyrządzić szkody ludziom albo rzeczom.
- Przed rozpoczęciem instalowania należy wykonać analizę zagrożeń z wykazem podstawowych warunków bezpieczeństwa, przewidzianych w załączniku I Dyrektywy Maszyn, wskazując odpowiednie rozwiązania jakie należy zastosować.

Przypomina się, że analiza zagrożeń jest jednym z dokumentów składowych "książki technicznej" automatyzacji.

- Należy sprawdzić konieczność zastosowania dodatkowych urządzeń w celu skompletowania automatyzacji z TUB3500 na podstawie istniejących warunków użytkowania i innych, występujących zagrożeń; muszą, na przykład, być wzięte pod uwagę zagrożenia wynikające z uderzenia, zgniecenia, wciągnięcia itp., i inne ogólne zagrożenia.

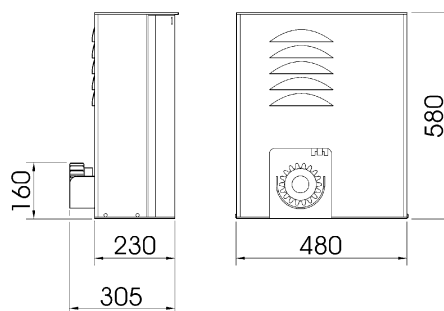
- Nie wykonywać żadnych zmian na żadnej z części, jeśli nie są przewidziane w niniejszej instrukcji; operacje tego rodzaju mogą jedynie spowodować niewłaściwe działanie; NICE nie bierze odpowiedzialności za szkody powstałe na zmodyfikowanym produkcie.
- Podczas instalowania i użytkowania, należy uważać, aby do wnętrza centrali i innych urządzeń otwartych nie dostały się elementy stałe lub płyny; ewentualnie należy zwrócić się do serwisu technicznego NICE; użytkowanie TUB3500 w takich sytuacjach może spowodować niebezpieczeństwo.
- Automat nie może być użytkowany, jeśli nie zostanie dopuszczony do pracy, zgodnie z rozdziałem: "5 Odbiór i dopuszczenie do pracy".
- Opakowanie TUB3500 musi być zlikwidowane zgodnie z miejscowymi przepisami.

- Gdy naprawa wykonana według wskazówek umieszczonych w niniejszej instrukcji nie da oczekiwanego efektu, należy skontaktować się z serwisem firmy NICE.
- Po zadziałaniu wyłączników automatycznych lub bezpieczników i przed ich przywróceniem do pierwotnej postaci, należy określić i wyeliminować usterkę.
- Przed uzyskaniem dostępu do wewnętrznych zacisków TUB3500, należy odłączyć wszystkie obwody zasilania; na przykład odłączając je za pomocą wyłącznika magnetyczno-termicznego, znajdującego się na centrali.

2) Opis produktu i przeznaczenie

TUB3500 jest siłownikiem do bram przesuwnych o dużych wymiarach, używanych w przemyśle, z zabudowaną centralą i przygotowanych do wbudowania odbiorników NICE.

Siłownik działa za pomocą energii elektrycznej, a w przypadku braku zasilania z sieci elektrycznej siłownik można odblokować specjalnym kluczem i bramę można przesunąć ręcznie.



1

2.1) Ograniczenia zastosowania

Dane dotyczące wydajności siłownika TUB3500 podane są w rozdziale "7 Charakterystyki techniczne" i są jedynymi wartościami, jakie pozwalają na właściwą ocenę możliwości użycia.

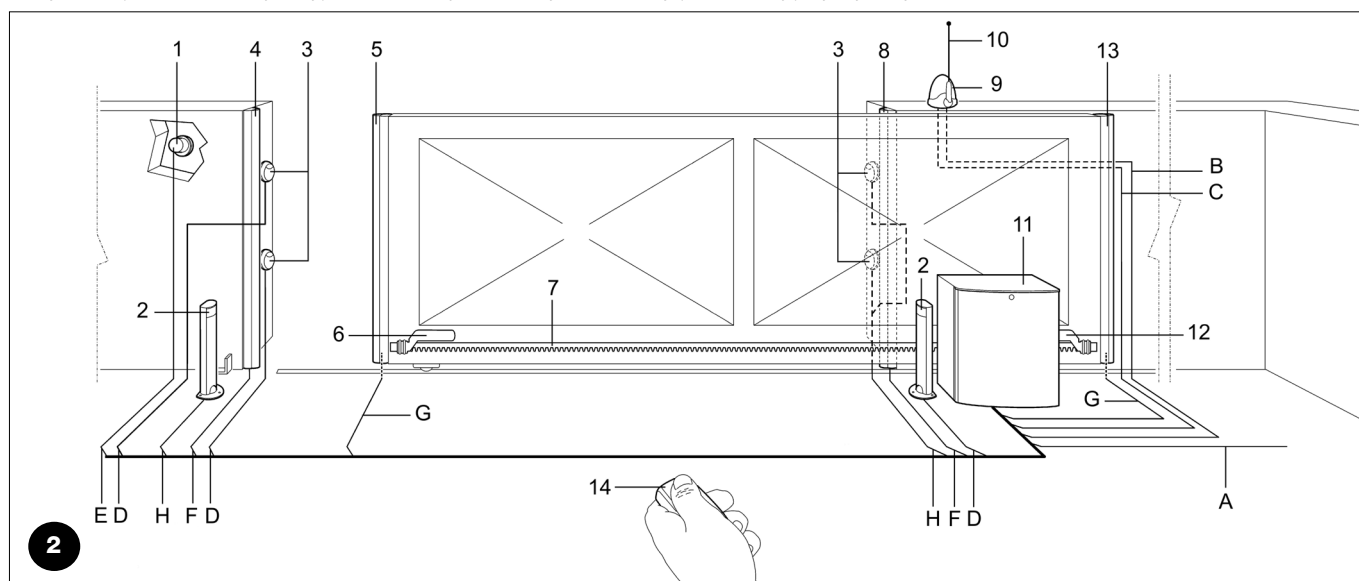
Ogólnie, TUB3500 jest w stanie zautomatyzować bramę o wadze do 350 kg lub o długości do 30m według jak podano w tabelach nr 1.

Tabela nr 1: ograniczenia wynikające z długości skrzydła

Długość skrzydła w metrach	Maksymalna ilość cykli/godzinę
Do 5	30
5÷10	15
10÷15	10
15÷20	7
20÷25	6
25÷30	5

2.2) Typowa instalacja

Na rysunku przedstawiona jest typowa instalacja automatyki dla bramy przesuwnej przy wykorzystaniu siłownika TUB3500.



2

- | | | |
|-----------------------------------|--|---|
| 1. Przelącznik na klucz | 6. Zderzak wyłącznika krańcowego "Otwarty" | 11. Silnik |
| 2. Fotokomórki na kolumience | 7. Listwa zębata | 12. Zderzak wyłącznika krańcowego "Zamknięty" |
| 3. Fotokomórki FOTO | 8. Listwa wtórna stała (opcja). | 13. Listwa wtórna ruchoma (opcja). |
| 4. Listwa pierwsza stała (opcja). | 9. Lampa ostrzegawcza | 14. Nadajnik radiowy |
| 5. Listwa pierwsza ruchoma. | 10. Antena | |

2.3) Wykaz przewodów

W typowym urządzeniu przedstawionym na rysunku 2 uwidocznione są także przewody niezbędne do podłączenia różnych urządzeń; w tabeli nr 2 podane są charakterystyki przewodów.

⚠ Należy zastosować właściwe przewody do każdego rodzaju instalacji; na przykład zaleca się przewód H03VV-F do wnętrza albo H07RN-F na zewnątrz.

Tabela nr 2: wykaz przewodów

Podłączenie	Rodzaj przewodu	Maksymalna dozwolona długość
A. Linia elektryczna zasilająca	1 przewód 4 x 1,5 mm ²	30 m (1)
B. Lampa ostrzegawcza	1 przewód 2 x 1,5 mm ²	20 m
C. Antena	1 przewód ekranowany RG58	(zalecany krótszy od 5 metrów)
D. Fotokomórki nadajnika	1 przewód 2 x 0,25 mm ²	30 m (3)
E. Przełącznik na klucz	2 przewody 2 x 0,25 mm ²	50 m (2)
F. Listwy stałe	1 przewód 2 x 0,5 mm ²	30 m (4) (6)
G. Listwy ruchome	1 przewód 2 x 0,25 mm ²	30 m (4) (5) (6)
H. Fotokomórki odbiornika	2 przewody 2 x 0,25 mm ²	30 m (2) (3)

Uwaga 1: Jeśli przewód zasilający jest dłuższy niż 30 m, wówczas należy zastosować przewód o większym przekroju, na przykład 4x2,5mm², oraz niezbędne jest dodatkowe uziemienie w pobliżu automatyki.

Uwaga 2: Dwa przewody 2x0,25mm² mogą być zastąpione jednym przewodem 4x0,25mm²

Uwaga 3: Zastosować przewody opancerzone w przypadku, gdy długość przekracza 30 m, a uziemienie podłączyć tylko po stronie centrali.

Uwaga 4: W specyficznych zastosowaniach może być konieczne zastosowanie bardziej czułych listew. Gdy już zainstalowana została więcej niż jedna listwa należy przeczytać ponownie instrukcje po to, aby wybrać rodzaj zalecanego połączenia.

Uwaga 5: Do połączenia listew ruchomych na skrzydłach przesuwnych należy wykorzystać odpowiednie urządzenia, które pozwalają na połączenie elektryczne również wtedy, kiedy skrzydło jest w ruchu.

Uwaga 6: Ilość niezbędnych przewodów do podłączenia ruchomych lub stałych listew zależy od zastosowanej techniki do zagwarantowania żądanej kategorii bezpieczeństwa. Przykład odnosi się do listew TCB65 podłączonych do złącza TCE.

3) Instalowanie

⚠ Instalacja siłownika TUB3500 musi być wykonana przez wykwalifikowany personel, zgodnie z przepisami, normami i uregulowaniami prawnymi, oraz według niniejszej instrukcji.

3.1) Kontrola wstępna

Przed przystąpieniem do instalacji siłownika TUB3500, należy przeprowadzić następujące kontrole:

- Sprawdzić, czy wszystkie elementy i materiały, jakie będą zastosowane, są w idealnym stanie, odpowiednie do użycia i zgodne z normami.
- Sprawdzić, czy konstrukcja bramy jest odpowiednia do wykonania automatyki.
- Sprawdzić czy waga bramy znajduje się w granicach maksymalnie do 3500 kg i czy długość nie przekracza 30 m.
- Sprawdzić, czy na całej drodze przesuwu skrzydła, tak przy zamykaniu jak i przy otwieraniu, nie ma miejsc gdzie występuje zwiększony opór.
- Sprawdzić, czy nie ma niebezpieczeństwa wykołowania się skrzydła i czy nie występuje zagrożenie wysunięcia się z prowadnic.
- Sprawdzić wytrzymałość mechanicznych ograniczników ruchu, czy nie powstaną odkształcenia nawet, jeśli skrzydło miało uderzyć silnie w zderzak.
- Sprawdzić, czy skrzydło pozostaje w równowadze, to znaczy nie może się ruszać jeśli jest zatrzymane i pozostawione w jakiegokolwiek pozycji.
- Sprawdzić strefę mocowania siłownika, czy nie jest narażona na zalanie i ewentualnie zamontować siłownik na odpowiednim wsporniku nad ziemią.
- Sprawdzić, czy strefa mocowania siłownika pozwala na jego wysprężenie oraz bezpieczny i pewny przesuw ręczny.
- Sprawdzić, czy punkty mocowania różnych urządzeń są w miejscach zabezpieczonych przed uderzeniami i czy powierzchnie montażu są odpowiednio solidne.
- Uważać, aby nie zanurzać elementów automatyki w wodzie lub innych płynach.

- Nie ustawiać TUB3500 w pobliżu ognia lub źródła ciepła; w środowisku potencjalnie wybuchowym, ani też kwaśnym lub zasolonym.
- Może ono uszkodzić TUB3500 i spowodować nieprawidłowe działanie lub niebezpieczne sytuacje.
- W przypadku istnienia przejścia (bramki) wewnątrz skrzydła lub w obszarze ruchu skrzydła, należy upewnić się, że nie utrudnia ono normalnego przesuwu i ewentualnie przewidzieć odpowiedni system blokujący.
- Podłączyć centralę do elektrycznej linii zasilającej wyposażonej w uziemienie zabezpieczające.
- Elektryczna linia zasilająca musi być odpowiednio zabezpieczona przez właściwe bezpieczniki magnetyczno-termiczne i różnicowe

3.2) Mocowanie siłownika

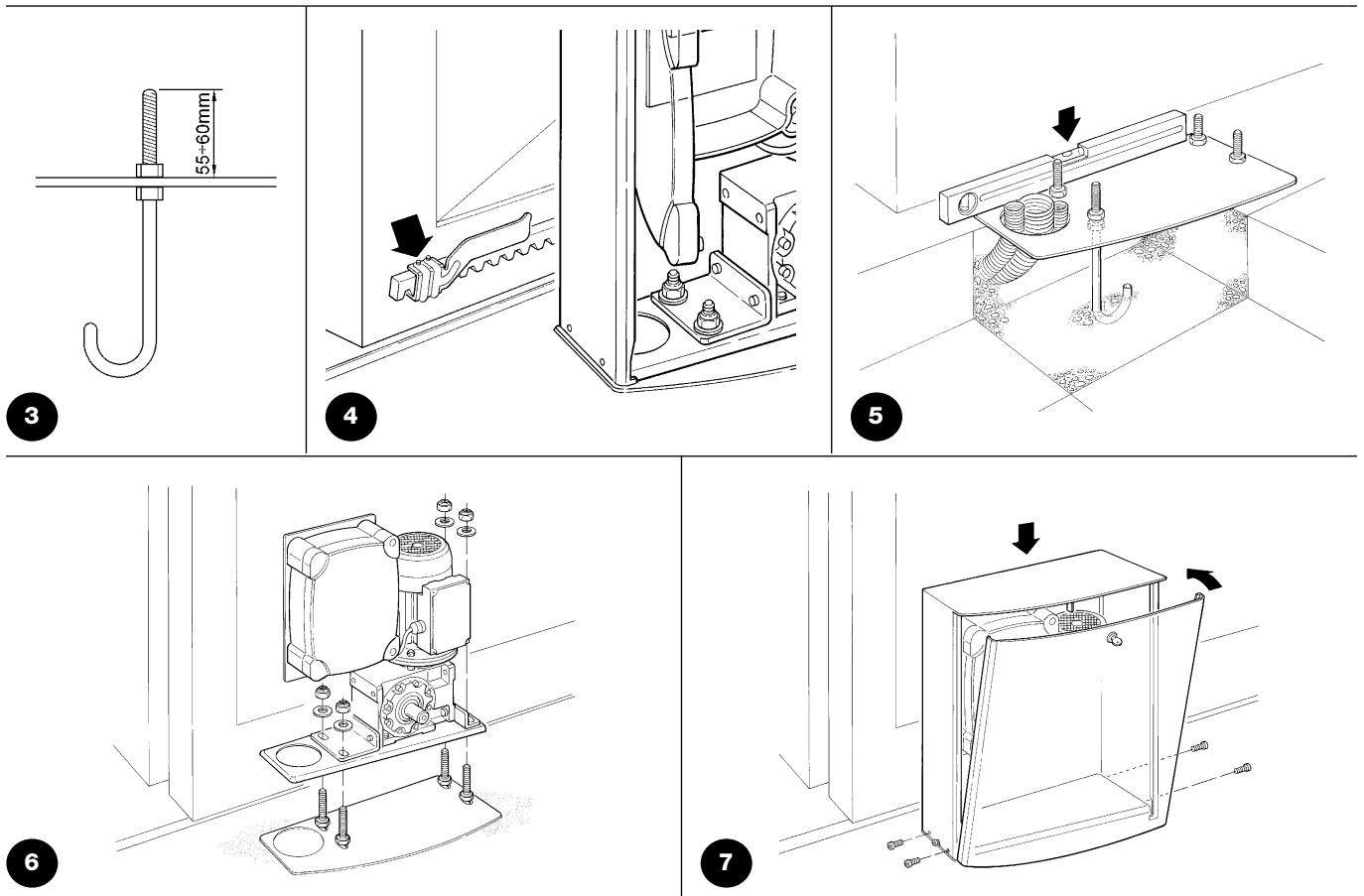
Jeśli powierzchnia podparcia już istnieje, to mocowanie siłownika musi być wykonane bezpośrednio na tej powierzchni, używając do tego odpowiednich materiałów, na przykład kołków rozporowych.

W przeciwnym przypadku, w celu zamocowania siłownika należy:

1. Wykonać wykop pod fundament o odpowiednich wymiarach.
2. Przygotować jedną lub więcej rurek do przeprowadzenia przewodów, tak jak na rys. 5
3. Połączyć 4 śruby fundamentowe z płytą fundamentową, ustawiając jedną nakrętkę pod, a drugą na płycie tak, jak na rysunku 3, w taki sposób, aby część gwintowana jak najwięcej wystawała z płyty.
4. Wylać beton, i zanim zacznie tężeć, ustawić płytę fundamentową, sprawdzić czy jest równoległa do skrzydła i dokładnie wypoziomowana tak, jak na rysunku 5. Odczekać do całkowitego stężenia betonu.
5. Zdjąć obudowę siłownika, wykonując odwrotną operację od przedstawionej na rysunku 7.
6. Oprzeć na płycie fundamentowej siłownik i ustawić go dokładnie równoległe do skrzydła bramy, a następnie zamocować go silnie do 4 śrub fundamentowych za pomocą 4 nakrętek i podkładek, jakie znajdują się na wyposażeniu i tak, jak na rysunku 6.
7. Odblokować siłownik w sposób podany w paragrafie "Wysprzęgalnie i ruch ręczny" w rozdziale "Instrukcje i ostrzeżenia przeznaczone dla użytkownika siłownika TUB3500".
8. Całkowicie otworzyć skrzydło, oprzeć na kole zębatym pierwszy odcinek listwy zębatej i sprawdzić, czy jej początek pasuje do części początkowej skrzydła. Sprawdzić, czy pomiędzy kołem zębatym a listwą pozostawiony jest luz na $2\div 3$ mm, następnie odpowiednimi narzędziami przykręcić listwę zębatą do skrzydła.

9. Przesunąć skrzydło i wykorzystywać zawsze koło zębate jako punkt odniesienia do zamocowania następujących elementów listwy.
10. Odciąć ostatni, nadmierny odcinek listwy.
11. Wykonać szereg ruchów polegających na zamykaniu i otwieraniu i sprawdzić, czy listwa zębata przechodzi prawidłowo po kole zębatym, z odstępstwem liniowym nie większym niż 10-15 mm, i że, na całej jej długości jest zachowany luz 2-3 mm.
12. Zamocować odpowiednimi nakrętkami zderzaki wyłączników krańcowych "Otwarte" i "Zamknięte" z obydwu końców zębniaka, tak jak na rysunku 4. Należy wziąć pod uwagę, że kiedy zaczynają działać wyłączniki krańcowe, skrzydło przesunie się jeszcze o $2\div 3$ cm; zaleca się więc ustawić zderzaki wyłączników krańcowych z odpowiednim marginesem w stosunku do zderzaków mechanicznych.
13. Wykonać odwrotną operację niż ta, którą wykonano w punkcie 7 i zablokować koło zębate.
14. Zamocować obudowę TUB3500 jak pokazano na rysunku 7 i upewnić się, że dźwignienka wyłącznika krańcowego znajduje się ponad kołem zębatym i że porusza się bez przeszkód.
15. Zamknąć drzwiczki siłownika i upewnić się, że włączył się mikro-wyłącznik bezpieczeństwa, który znajduje się po prawej stronie silnika elektrycznego.

⚠ W celu uniknięcia przypadku, że gdy ciężar skrzydła obciąży znacznie siłownik należy pozostawić pomiędzy listwą zębatą a kołem zębatym luz na $2\div 3$ mm.



3.3) Instalowanie innych urządzeń na centrali.

Wykonać instalację wszystkich przewidzianych urządzeń, zgodnie z odpowiednimi instrukcjami. Zweryfikować w instrukcji "mindyA500", jakie urządzenia mogą być podłączone do TUB3500.

3.4) Połączenia elektryczne

⚠ Podłączenie zasilania do siłownika musi być wykonane bez napięcia w urządzeniu, przez fachowy, wykwalifikowany personel, posiadający niezbędne narzędzia i w pełnym poszanowaniu przepisów, norm i uregulowań prawnych.

1. Aby otworzyć drzwiczki centrali i uzyskać dostęp do kontrolnego obwodu elektronicznego urządzenia TUB3500 odkręcić 2 śruby z żółtego tworzywa.

2. Odpowiednio przyciąć przelotki przewodów, znajdujące się w dolnej części centrali i przeciągnąć przez nie wszystkie przewody elektryczne.
3. Unieruchomić wszystkie przewody za pomocą opasek do blokowania przewodów.
4. Przy wykonywaniu połączeń elektrycznych kierować się instrukcjami "mindyA500".

4) Kontrola działania

Przed rozpoczęciem fazy kontroli i rozruchu automatyki ustawić skrzydło w połowie drogi tak, aby mogło się swobodnie poruszać w kierunku otwarcia jak i zamknięcia.

4.1) Podłączenie zasilania

⚠ Podłączenie zasilania do siłownika TUB3500 musi być wykonane przez fachowy, wykwalifikowany personel, posiadający niezbędne narzędzia i w pełnym poszanowaniu przepisów, norm i uregulowań prawnych.

• Jak tylko zasilanie zostanie podłączone do TUB3500 ubrając zabezpieczenie magnetyczno-termiczne znajdujące się na centrali elektrycznej, należy sprawdzić, czy dioda OK znajdująca się pośrodku centrali rozpocznie migać i czy dioda wejścia Foto świeci się.

- Teraz należy nacisnąć dźwignenkę mikro - wyłącznika znajdującego się po prawej stronie silnika elektrycznego i sprawdzić, czy zaświecą się także diody ALT oraz wyłączników krańcowych FCA i FCC.
- Jeśli tak się nie dzieje należy natychmiast wyłączyć zasilanie centrali i zweryfikować połączenia elektryczne.
- Inne informacje, niezbędne do wyszukiwania i diagnozy uszkodzeń podane są w instrukcji centrali "mindyA500".

4.2) Kontrola kierunku

Po zasileniu silnika trójfazowego, kierunek ruchu obrotów silnika zależy od sposobu podłączenia 3 faz zasilania; nie jest więc możliwe wcześniejsze określenie żądanego kierunku obrotów jak również czy wyłączniki krańcowe zadziałają w żądanym kierunku ruchu.

Aby ustawić prawidłowy kierunek ruchu wykonać poniżej przedstawione czynności:

a. Kontrola kierunku obrotów silnika: Ustawić bramę w połowie drogi, nadać impuls na wejście Otwiera centrali A500 (zacisk nr 20) i sprawdzić, czy brama poruszy się w kierunku otwarcia. Jeśli kierunek jest prawidłowy należy przejść do następnej fazy; w przeciwnym wypadku natychmiast odłączyć zasilanie od centrali i zamienić podłączenie przewodów na zaciskach 3 i 4 na listwie zaciskowej A500 i powtórzyć kontrolę kierunku obrotów silnika.

b. Kontrola zadziałania wyłącznika krańcowego: Podczas ruchu otwierania i zanim brama zostanie całkowicie otwarta, należy zasymulować działanie wyłącznika krańcowego w żądanym kierunku i sprawdzić, czy manewr otwarcia zostanie zatrzymany. Jeśli tak się nie stanie należy natychmiast odłączyć zasilanie od centrali i zamienić podłączenie przewodów na zaciskach 10 i 12 na listwie zaciskowej A500i powtórzyć kontrolę zadziałania wyłącznika krańcowego.

4.3 Kontrola ruchu bramy

Po ostatecznym i prawidłowym zamocowaniu zderzaków wyłączników krańcowych (Rysunek 4) na kole zębatym, zaleca się wykonanie kilka ruchów otwierania i zamykania po to, aby sprawdzić czy porusza się prawidłowo.

1 Zasterować manewr otwarcia:

- a. Sprawdzić, że otwarcie bramy przebiega przy stałej prędkości;
- b. Sprawdzić, czy zderzak wyłącznika krańcowego (rysunek 2) powoduje zadziałanie mikro wyłącznika, zatrzymując skrzydło i z maksymalnym przesunięciem o następne 2-3 cm (należy mieć na uwadze to, że przy wzroście temperatury czas zatrzymania skrzydła może się wydłużyć).
- c. Kiedy skrzydło już nie porusza się, sprawdzić czy brama zatrzymała się w odległości 4-5 cm od zderzaka.

2. Zasterować manewr zamknięcia: tak, jak w punkcie 1.

3. W przypadku, gdy przestrzeń zatrzymania bramy jest większa od 2-3 cm należy wyregulować hamulec mechaniczny według informacji zawartych w rozdziale 5.1.

4. Wykonać kilka manewrów otwierania i zamykania w celu wychwycenia ewentualnych usterek montażu i regulacji lub innych anomalii na przykład momentów zwiększonego tarcia.

5. Sprawdzić, czy mocowanie siłownika TUB3500, listwy zębatej i zderzaków wyłączników krańcowych jest pewne, stabilne i odpowiednio wytrzymałe również podczas silnych przyspieszeń lub zwolnień ruchu bramy.

5) Próby odbiorcze i rozruch.

Jest to najważniejsza faza przy wykonywaniu automatyki, która ma na celu zapewnienie maksymalnego bezpieczeństwa. Procedura odbioru może służyć również jako okresowa kontrola urządzeń, które składają się na automatykę. .

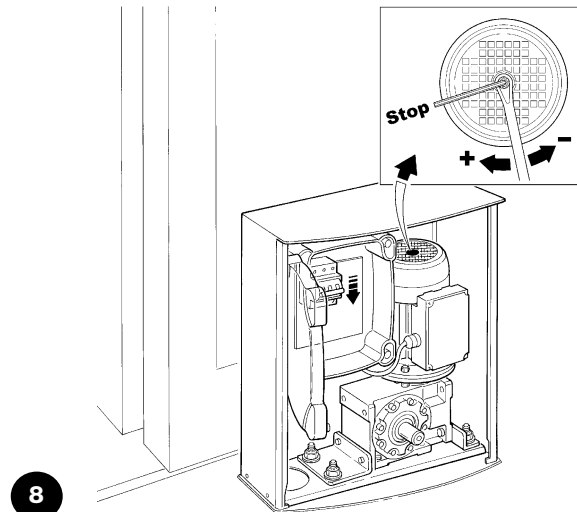
⚠ Test odbiorczy całej automatyki musi być wykonany przez doświadczonego i wykwalifikowanego personel, który weźmie na siebie odpowiedzialność za wykonanie swojej pracy i świadomy jest ewentualnego niebezpieczeństwa. Personel ten ma zweryfikować czy przestrzegane są wymagania i regulaminy normy EN12445, która ustala sposób wykonania kontroli automatyki bramy.

5.1) Odbiór

Każdy element automatyki, na przykład czujniki krawędziowe, fotokomórki, obwód zatrzymania awaryjnego itp., wymagają specyficznej fazy odbioru; dla tych urządzeń będzie trzeba wykonać procedury podane w odpowiednich dla nich instrukcjach.

W czasie odbioru siłownika TUB3500 należy wykonać następujące operacje:

1. Sprawdzić, czy były dokładnie przestrzegane wskazówki tego podręcznika, a w szczególności te z rozdziału 1 "Ostrzeżenia";
2. Wykorzystując przewidziane urządzenia sterowania lub zatrzymania (wyłącznik na klucz, przyciski sterowania lub nadajniki radiowe), wykonać próby otwarcia, zamknięcia i zatrzymania bramy i sprawdzić czy jej zachowanie odpowiada temu, jak powinna reagować.
3. Zweryfikować po kolei właściwe funkcjonowanie wszystkich urządzeń zabezpieczających (fotokomórki, czułe krawędzie, itd.).
4. Jeśli niebezpieczne sytuacje, spowodowane ruchem skrzydła, zostały wyeliminowane poprzez ograniczenie siły zderzenia, należy wykonać pomiar siły, zgodnie z tym jak przewiduje norma EN 12445.
5. Sprawdzić czy miejsce zatrzymania bramy wynosi 2-3 cm, w przeciwnym przypadku wyregulować hamulec mechaniczny w następujący sposób (rysunek 8):
 - a. Obrócić nakrętkę znajdującą się na wale silnika o około pół obrotu w kierunku wskazówek zegara;
 - b. Jeśli pół obrotu okaże się niewystarczające, należy nakrętkę dokręcić jeszcze trochę;
 - c. Należy przy tym uważać, aby nie dokręcić nakrętkę zbyt mocno bo w ten sposób można zablokować silnik elektryczny całkowicie.



⚠ Przed regulacją hamulca mechanicznego, należy bezwzględnie wyłączyć zasilanie elektryczne, przełączając wyłącznik magnetyczno-termiczny znajdujący się w centrali na pozycję "OFF".

5.2) Przekazanie do pracy.

Przekazanie do pracy może nastąpić tylko po wykonaniu z wynikiem pozytywnym wszystkich faz odbioru TUB3500 oraz innych zabudowanych urządzeń.

Zabronione jest częściowe przekazanie do pracy w trybie „tymczasowym”.

1. Przez co najmniej 10 lat trzeba przechowywać dokumentację techniczną automatyki, która powinna zawierać: rysunek złożeniowy instalacji, schemat połączeń elektrycznych, analizę zagrożeń wraz z odpowiednimi, zastosowanymi rozwiązaniami, świadectwo zgodności producenta wszystkich użytych urządzeń (dla TUB3500 użyć załączonego Świadectwa zgodności CE); kopie instrukcji użytkownika i harmonogram konserwacji automatyki
2. Na bramie należy zamocować tabliczkę zawierającą przynajmniej następujące dane rodzaj automatyki, nazwę i adres producenta (osoby odpowiedzialnej za dopuszczenie do użytkowania), numer urządzenia, rok produkcji i oznaczenie "CE"
3. Zamocować w pewny sposób na końcu bramy etykietkę lub tabliczkę z opisem operacji do odblokowania i ręcznego otwierania.
4. Opracować i przekazać właścicielowi świadectwo zgodności automatyki.
5. Opracować i przekazać właścicielowi podręcznik z "Instrukcją i ostrzeżeniami do używania automatyki".

6. Opracować i przekazać właścicielowi harmonogram konserwacji automatyki (który musi zawierać wszystkie opisy dotyczące konserwacji pojedynczych urządzeń).
7. Przed przekazaniem automatyki do pracy poinformować w odpowiedni sposób na piśmie właściciela (na przykład na podręczniku z instrukcjami i ostrzeżeniami do używania automatyki) o obecnych niebezpieczeństwach i zagrożeniach związanych z pracą urządzenia.

6) Konserwacja i likwidacja

W tym rozdziale podane są informacje niezbędne do wykonania harmonogramu konserwacji i likwidacji TUB3500.

6.1) Konserwacja

W celu utrzymania stałego poziomu bezpieczeństwa i zapewnienia maksymalnego czasu użytkowania całej automatyki regularna konserwacja jest niezbędna.

⚠ Czynności konserwacyjne należy wykonać ściśle przestrzegając norm bezpieczeństwa umieszczonych w niniejszej instrukcji według prawa i norm aktualnie obowiązujących.

Dla innych urządzeń, współpracujących z TUB3500 należy przestrzegać odpowiednich dla nich harmonogramów konserwacji.

1. Dla TUB3500 należy zaplanować przegląd co 6 miesięcy lub co 10.000 cykli pracy.

2. Odłączyć jakiegokolwiek źródło zasilania elektrycznego.
3. Sprawdzić i ocenić stan zużycia wszystkich podzespołów, które składają się na automatykę ze szczególnym uwzględnieniem zjawiska korozji lub oksydacji elementów strukturalnych; wymienić elementy, które nie gwarantują odpowiedniego działania
4. Sprawdzić stan zużycia elementów ruchomych koła zębatego, listwy zębatej i elementów ruchomych skrzydła, wymienić części zużyte.
5. Ponownie podłączyć zasilanie elektryczne i wykonać wszystkie próby i kontrole przewidziane w paragrafie 5.1 "Odbiór".

6.2) Utylizacja

TUB3500 jest wykonany z różnego rodzaju materiałów, niektóre z nich mogą być odzyskiwane; stal, aluminium, tworzywa sztuczne, przewody elektryczne; inne muszą być zlikwidowane: baterie i obwody elektroniczne.

⚠ Niektóre elementy mogą zawierać substancje trujące, nie wolno ich porzucać w przypadkowych miejscach. Zapoznać się ze sposobami recyklingu i dostosować się do aktualnie obowiązujących w tym zakresie norm.

1. Odłączyć zasilanie od automatyki.
2. Poodkręcać wszystkie urządzenia i akcesoria w kolejności odwrotnej do podanej w rozdziale 3 "Instalowanie".

3. Oddzielić, o ile to możliwe, części, które mogą być poddane recyklingowi lub likwidacji w inny sposób, na przykład elementy metalowe od elementów z tworzyw sztucznych, obwody elektroniczne, baterie, itp.
4. Rozdzielić i przekazać tak posortowane materiały do autoryzowanych punktów miejscowych zajmujących się odzyskiwaniem materiałów wtórnych.

7) Dane techniczne

W celu ulepszenia swoich produktów, Nice S.p.A. zastrzega sobie prawo zmiany charakterystyk technicznych w jakimkolwiek momencie i bez uprzedzenia, utrzymując jednak funkcjonalność i przeznaczenie wyrobu.

Wszystkie charakterystyki techniczne tutaj podane odnoszą się do temperatury otoczenia 20°C (±5°C).

Dane techniczne TUB3500

Typ	Elektromechaniczny siłownik samo hamujący do automatyzacji bram przesuwanych do użytku prywatnego wraz z elektroniczną centralą sterującą
Koło zębate	Z= 18; Moduł=6; Krok=18.8; średnica koła podziałowego =108mm
Maksymalny moment startowy	418Nm; odpowiadający możliwości uruchomienia skrzydła, którego statyczne tarcie wytwarza obciążenie oporne do 7740N
Moment nominalny	190Nm; odpowiadający zdolności podtrzymania ruchu skrzydła, którego tarcie dynamiczne wytwarza obciążenie oporne do 3520N
Prędkość przy momencie nominalnym	0.167m/s (10m/min)
Maksymalna częstotliwość cykli pracy	200 cykli/dzień
Maksymalny czas pracy ciągłej	30 minut (centrala przewiduje maksymalny czas pracy na 120 sekund, który może być wydłużony do 210 sekund)
Ograniczenia zastosowania	Zwykle TUB3500 może zautomatyzować bramy z waga maksymalnie do 3500 kg i o maksymalnej długości do 30 m.
Zasilanie	Trójfazowe 400Vac +/-10%; 50Hz.
Maksymalna moc pobierana	550 W
Klasa izolacji	1 (wymaga uziemienia)
Temperatura pracy	-20°C ÷ 50°C
Użytkowanie w atmosferze szczególnie kwaśnej lub słonej albo potencjalnie wybuchowej:	NIE
Stopień zabezpieczenia	IP 44
Wymiary i ciężar	580X480X240; 60 kg

Inne charakterystyki techniczne znajdują się w instrukcjach centrali A500.

Gratulujemy wyboru automatyki firmy Nice!

Nice S.p.A. produkuje elementy do automatyzacji bram, drzwi, bram rolowanych, rolet i markiz: siłowniki, centrale sterujące, piloty, lampy ostrzegawcze, fotokomórki i akcesoria

Firma Nice stosuje w swoich produktach wyłącznie surowce wysokiej jakości i, z powołania, poszukuje nowych rozwiązań innowacyjnych maksymalnie ułatwiających użytkowanie tych urządzeń. Elementy te są technicznie wysokiej jakości, estetyczne i z dokładnie opracowaną ergonomią: z zestawu produktów Nice wasz instalator z pewnością wybierze produkt, który najbardziej odpowiada waszym wymaganiom. Wasza automatyka nie jest produktem firmy Nice, ale jest dziełem sztuki zrealizowanym w wyniku wieloletnich analiz, obliczeń, wyboru surowców, a realizacja tej instalacji powierzona jest waszemu instalatorowi.

Każda automatyka jest jedyna w swoim rodzaju. Gdy wasz instalator posiada wystarczające doświadczenie i niezbędną wiedzę do jej wykonania to automatyka na pewno będzie odpowiadała waszym wymaganiom, będzie trwała i niezawodna, a przede wszystkim będzie wykonana zgodnie z aktualnie obowiązującymi normami prawnymi.

Automatyka jest wygodnym rozwiązaniem, posiada funkcjonalny system zabezpieczający i gdy jest zadbana będzie wam służyć wiele lat.

Gdy automatyka spełnia wasze wymagania w zakresie bezpieczeństwa i zgodnie z normami prawnymi nie znaczy to, że nie istnieją inne niebezpieczeństwa. Mogą się bowiem utworzyć sytuacje niebezpieczne spowodowane nieodpowiedzialnym i błędnym użytkowaniem. Dlatego też chcemy przekazać wam użyteczne wskazówki w celu uniknięcia takich niekorzystnych sytuacji:

- **Przed pierwszym uruchomieniem automatyki** należy poprosić instalatora o dokładne przedstawienie ewentualnych niebezpieczeństw. Przeczytać **instrukcję i ostrzeżenia dla instalatora**, którą wam przekazał. Należy przechowywać instrukcje w celu możliwych późniejszych konsultacji i przekazać ją ewentualnemu następnemu użytkownikowi bramy.
- **Wasz automat jest maszyną, która dokładnie wykonuje wasze polecenia;** niewłaściwe lub nieuprawnione użycie może stać się niebezpieczne: nie sterujcie ruchem bramy, jeśli w jej pobliżu znajdują się osoby, zwierzęta lub przedmioty.
- **Dzieci:** automatyka gwarantuje wysoki stopień bezpieczeństwa. Zatrzymuje ruch, gdy jej system zabezpieczający odczyta obecność osób lub rzeczy i gwarantuje uaktywnienie tego systemu w sposób pewny i przewidziany. Bezpieczniej jednak jest zabronić dzieciom bawienia się w pobliżu automatyki jak również pozostawionymi bez nadzoru pilotami, aby uniknąć nieumyślnego włączenia: **to nie zabawka!**

- **Usterki:** Gdy zauważy się jakiegokolwiek niewłaściwe zachowanie automatyki należy odłączyć od niej zasilanie elektryczne i wysprzęglić ręcznie. Nie próbujcie sami wykonać jakiegokolwiek naprawy, lecz zwróćcie się o pomoc do waszego zaufanego instalatora: wezwąć uprawnionego instalatora: brama może funkcjonować również bez automatyki.

- **Czynności konserwacyjne.** Automat, jak każda maszyna, wymaga okresowych czynności konserwacyjnych, co gwarantuje jej bezpieczne i długoletnie funkcjonowanie. Uzgodnić z waszym instalatorem program okresowych przeglądów konserwacyjnych. Firma Nice poleca, aby przeglądy wykonywać co sześć miesięcy, ale zależy to też od intensywności użytkowania. Wszelkie czynności związane z kontrolą, konserwacją czy naprawą zlecić tylko wykwalifikowanemu technikowi.

- Nawet jeśli uważacie że potraficie, nie modyfikujcie urządzenia i parametrów programowania oraz nie regulujcie automatyki: należy to do waszego instalatora

- Kontrola końcowa, okresowe przeglądy i ewentualne naprawy mają być udokumentowane przez osobę wykonującą te czynności: dokumenty te ma przechowywać właściciel instalacji.

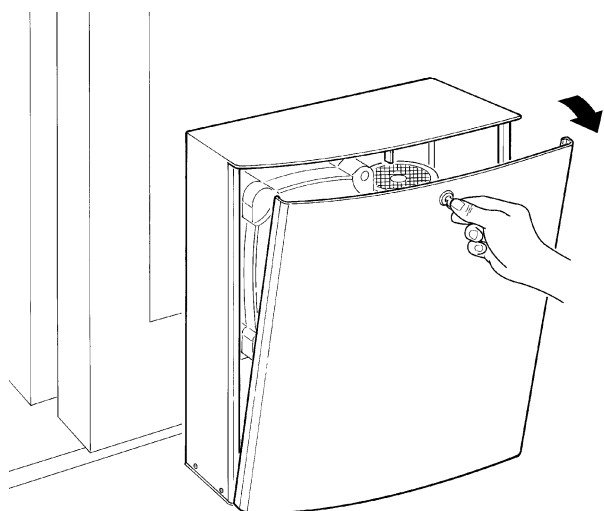
- **Złomowanie.** Po zakończeniu okresu użytkowania automatyki dopilnujcie, aby likwidacja została przeprowadzona przez wykwalifikowany personel i aby materiały zostały poddane recyklingowi lub utylizacji zgodnie z obowiązującymi przepisami.

- **W wypadku uszkodzenia lub braku zasilania.**

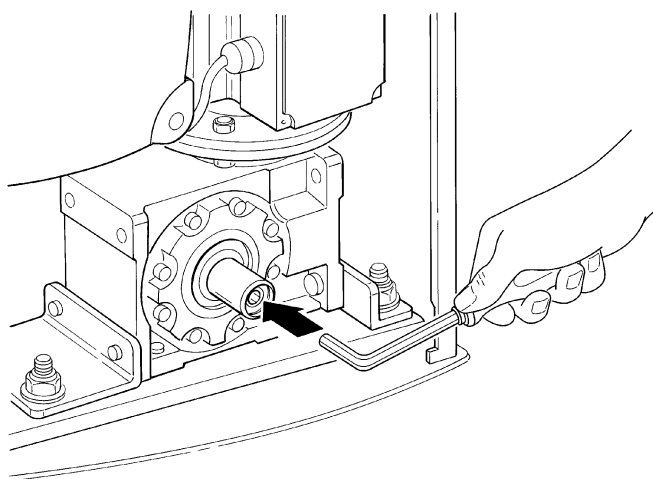
Oczekując na przybycie instalatora (lub na powrót energii elektrycznej oraz gdy instalacja nie posiada akumulatorów awaryjnych) urządzenie może być uruchamiane ręcznie, czyli jak każde inne urządzenie nieautomatyczne. Wysprzęglić urządzenie ręcznie: ta czynność jest jedyną czynnością, którą może wykonać użytkownik. Jest to funkcja dokładnie opracowana przez firmę Nice w celu ułatwienia jej obsługi bez stosowania narzędzi i wysiłku fizycznego.

Odblokowanie i ruch ręczny: przed wykonaniem tej operacji **zwrócić uwagę** na to, że odblokowanie może być wykonane jedynie, kiedy skrzydło jest nieruchome.

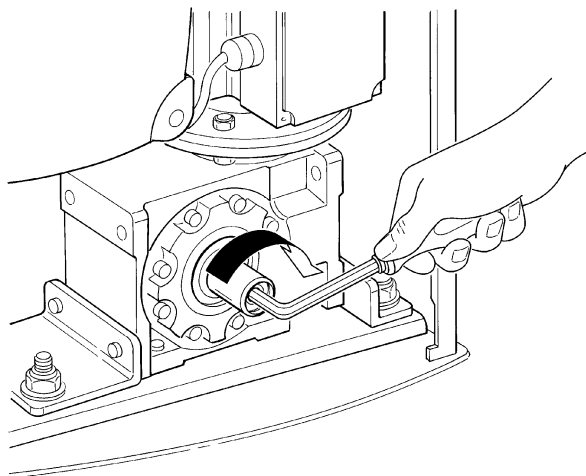
1. Otworzyć drzwi TUB3500 za pomocą klucza, jaki jest na wyposażeniu, rysunek 9.
2. Klucz sześciokątny włożyć do wałka, rysunek 10.
3. Dokręcić **całkowicie** śruby wewnątrz wałka, tak jak pokazano na rysunku 11.
4. Wyjąć klucz sześciokątny i zamknąć drzwi TUB3500
5. Poruszyć ręcznie skrzydło, tak jak pokazano na rysunku 12.



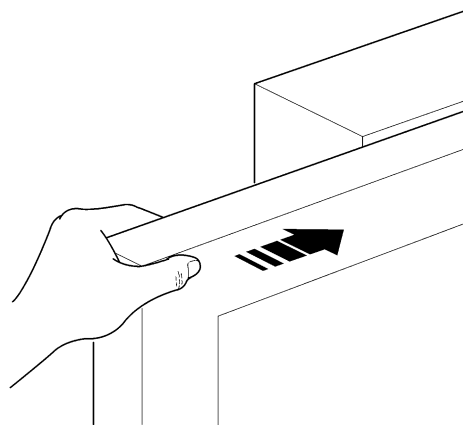
9



10



11



12

Aby zablokować: wykonać w odwrotnej kolejności te same operacje

W przypadku uszkodzenia, należy jak najprędzej naprawić automatykę.

Jesteście zadowoleni? W przypadku kiedy chcielibyście w przyszłości dokupić kolejne urządzenie automatyki, zwróćcie się do tego samego instalatora i do Nice, a zapewnicie sobie, poza doradztwem specjalisty i produktami najbardziej zaawansowanymi na rynku, najlepsze działanie i maksymalną kompatybilność istniejącą instalacją.

Dziękujemy za przeczytanie niniejszych wskazówek, życzymy dużej satysfakcji z nowego urządzenia: W celu ewentualnych wyjaśnień, czy porad prosimy zwrócić się do waszego instalatora.

Tub

Inhoud:

pag.

1	Aanbevelingen	62	4.3	Controle manoeuvre van de poort	66
2	Productbeschrijving en gebruiksbestemming	63	5	Opleveringstest en inbedrijfstelling	67
2.1	Gebruikslimieten	63	5.1	Opleveringstest	67
2.2	Typische installatie	63	5.2	Inbedrijfstelling	67
2.3	Lijst kabels	64	6	Onderhoud en afvalverwerking	68
3	Installatie	64	6.1	Onderhoud	68
3.1	Controles vooraf	64	6.2	Afvalverwerking	68
3.2	Bevestiging van de reductiemotor	65	7	Technische gegevens	68
3.3	Installering van de verschillende inrichtingen op de besturingseenheid.	66		Aanwijzingen en aanbevelingen bestemd voor de gebruiker van de reductiemotor TUB3500	69
3.4	Elektrische aansluitingen	66			
4	Functioneringscontrole	66			
4.1	Aansluiting op het elektriciteitsnet	66			
4.2	Controle van de richting	66			

1) Aanbevelingen

Deze handleiding bevat belangrijke informatie voor de veiligheid van mensen. Alvorens u met de installatie gaat beginnen, dient u alle in deze handleiding vervatte informatie te lezen.

Bewaar deze handleiding ook voor later gebruik.

Met het oog op gevaarlijke situaties die zich tijdens de installatie en het gebruik van TUB3500 kunnen voordoen, moeten ook tijdens de installatie de wetten, voorschriften en regels volledig in acht genomen worden. In dit hoofdstuk zullen algemene aanbevelingen gegeven worden; andere belangrijke aanbevelingen vindt u in de hoofdstukken "3.1 Controles vooraf"; "5 Opleveringstest en inbedrijfstelling".

⚠ Volgens de meest recente Europese wetgeving valt het aanleggen van een automatische deur of poort onder wat voorzien is in de Europese Richtlijn 98/37/EG (Richtlijn Machines) en met name onder de voorschriften: EN 12445; EN 12453 en EN 12635, waardoor het mogelijk is de vermoedelijke conformiteit te verklaren.

Verdere inlichtingen, richtlijnen ten aanzien van risico's en het samenstellen van het technisch dossier zijn beschikbaar op: "www.niceforyou.com".

- Deze handleiding is uitsluitend bestemd voor technisch personeel dat voor de installatie gekwalificeerd is. Behalve de specifieke los te halen bijlage welke de installateur dient te verzorgen, namelijk "Aanwijzingen en aanbevelingen bestemd voor de gebruiker van de reductiemotor TUB3500" kan andere informatie die in dit dossier is vervat, niet als interessant voor de eindgebruiker worden beschouwd!
- Ieder ander gebruik van TUB3500 dat niet in deze aanwijzingen voorzien is, is verboden; oneigenlijk gebruik kan gevaar opleveren of letsel en schade aan mensen en zaken veroorzaken.
- Voordat u met de installatie begint dient u een analyse van de risico's te maken waarvan de lijst van essentiële veiligheidseisen zoals die in Bijlage I van de Richtlijn Machines zijn voorzien, deel uitmaakt; hierin geeft u de toegepaste oplossingen aan.

Wij maken u erop attent dat de risicoanalyse één van de documenten is die deel uit maken van het "technisch dossier" van de automatisering.

- Controleer of er verdere inrichtingen nodig zijn om de automatisering met TUB3500 op basis van de specifieke toepassings situatie en aanwezige gevaren te completeren; u dient daarbij bijvoorbeeld risico's op het gebied van botsen, beknelling, scharen, etc. en andere algemene gevaren in acht te nemen.

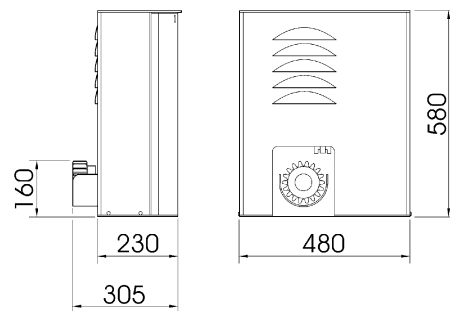
- Breng geen wijzigingen aan onderdelen aan, indien dit niet in deze handleiding is voorzien. Dergelijke handelingen kunnen alleen maar storingen veroorzaken. NICE wijst elke aansprakelijkheid voor schade tengevolge van gewijzigde artikelen van de hand.
- Zorg ervoor dat er tijdens het installeren niets, ook geen vloeistof, in de besturings-eenheid of andere open inrichting kan komen; neem eventueel contact op met het technisch servicecentrum van NICE; het gebruik van TUB3500 in deze situaties kan een gevaarlijke situatie doen ontstaan.
- Het automatisme mag niet gebruikt worden voordat de inbedrijfstelling heeft plaats gevonden zoals dat in hoofdstuk: "5 Opleveringstest en inbedrijfstelling" is aangegeven.

- De afvalverwerking van het verpakkingsmateriaal van TUB3500 moet geheel en al volgens de plaatselijk geldende regels plaats vinden.
- Indien er zich een storing voordoet die u niet kunt oplossen onder gebruikmaking van de in deze handleiding vervatte informatie gelieve u contact op te nemen met de technische servicedienst van NICE.
- Wanneer er een automatische schakelaar of zekering in werking is getreden, dient u alvorens die terug te stellen, de storing op te zoeken en die te verhelpen.
- Voordat u met de interne klemmetjes van TUB3500 gaat werken, dient u alle stroomcircuits los te koppelen; bijvoorbeeld met behulp van de beveiligingsschakelaar op de besturingseenheid.

2) Productbeschrijving en gebruiksbestemming

TUB3500 is een reductiemotor voor schuifpoorten van aanzienlijke afmetingen voor industriële toepassingen, met een ingebouwde besturingseenheid voorbereid voor het inpluggen van NICE-ontvangers.

Deze motor werkt op elektriciteit, in geval van stroomuitval kunt u de reductiemotor met behulp van een speciale sleutel ontgrendelen en de poort handmatig manoeuvreren.



1

2.1) Gebruikslimieten

De gegevens met betrekking tot de prestaties van TUB3500 vindt u in het hoofdstuk "7 Technische gegevens" en dit zijn de enige waarden waarmee u correct kunt beoordelen of de motor voor de toepassing in kwestie geschikt is.

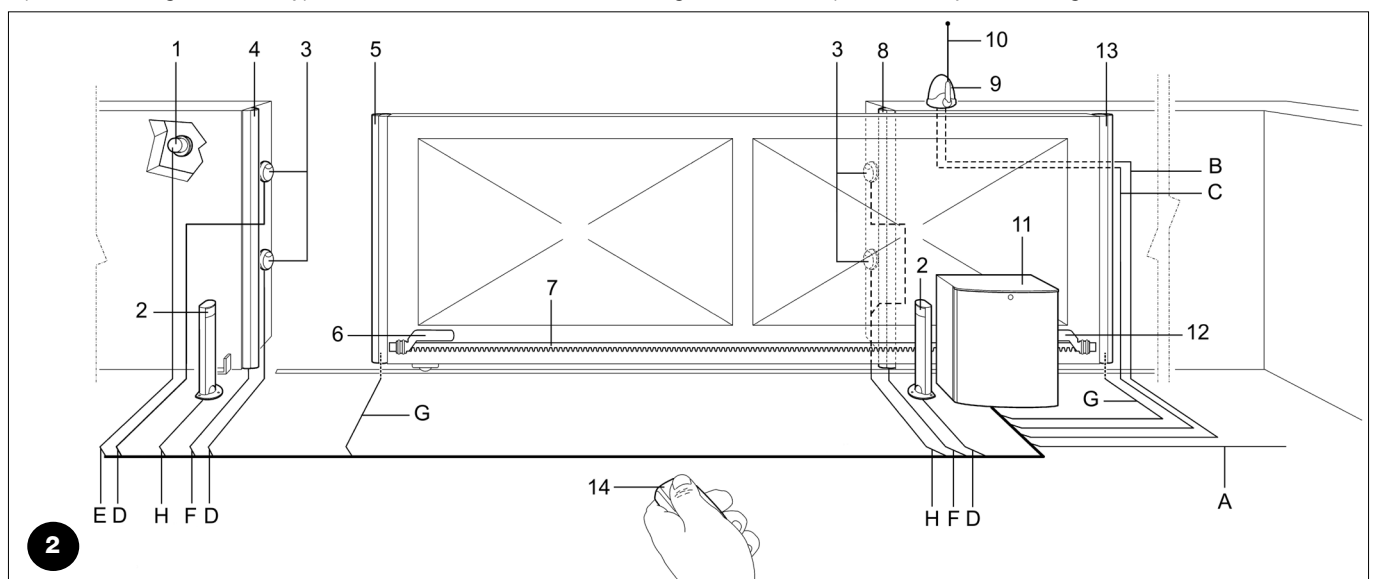
Over het algemeen is TUB3500 in staat poorten met een gewicht tot 3500 kg of met een lengte tot 30 m te automatiseren volgens hetgeen in tabel 1 is weergegeven.

Tabel 1: limieten op grond van de lengte van de vleugel

Lengte vleugel in meters	Maximaal aantal cycli per uur
Tot 5	30
5÷10	15
10÷15	10
15÷20	7
20÷25	6
25÷30	5

2.2) Typische installatie

Op de afbeelding ziet u een typische installatie van de automatisering van een schuifpoort waarbij TUB3500 gebruikt is.



2

- | | | |
|--|--|---|
| 1. Sleutelschakelaar | 6. Beugel eindschakelaar "Open" | 11. Motor |
| 2. Fotocellen op zuiltje | 7. Tandheugel | 12. Beugel eindschakelaar "Dicht" |
| 3. Fotocellen FOTO | 8. Secundaire vaste lijst (apart verkrijgbaar) | 13. Secundaire mobiele lijst (apart verkrijgbaar) |
| 4. Primaire vaste lijst (apart verkrijgbaar) | 9. Knipperlicht | 14. Radiozender |
| 5. Primaire mobiele lijst | 10. Antenne | |

2.3) Lijst kabels

In de typische installatie op afbeelding 2 zijn ook de kabels aangegeven die nodig zijn om de aansluitingen van de verschillende inrichtingen mogelijk te maken; in tabel 2 worden de kenmerken van deze kabels aangegeven.

⚠ De gebruikte kabels dienen voor het soort installatie geschikt te zijn; zo is het bijvoorbeeld raadzaam een kabel van het type H05VV-F binnen en H07RN-F buiten te gebruiken.

Tabel 2: lijst kabels

Aansluiting	Type kabel	Maximaal toegestane lengte
A. Netkabel	1 kabel 4 x 1,5 mm ²	30 m (1)
B. Knipperlicht	1 kabel 2 x 1,5 mm ²	20 m
C. Antenne	1 afgeschermd kabel type RG58	(beter korter dan 5 meter)
D. Fotocellen zender	1 kabel 2 x 0,25 mm ²	30 m (3)
E. Sleutelschakelaar	2 kabels 2 x 0,25 mm ²	50 m (2)
F. Vaste lijsten	1 kabel 2 x 0,5 mm ²	30 m (4) (6)
G. Mobiele lijsten	1 kabel 2 x 0,5 mm ²	30 m (4) (5) (6)
H. Fotocellen ontvanger	2 kabels 2 x 0,25 mm ²	30 m (2) (3)

N.B. 1: als de netkabel langer dan 30 m is, dient u een kabel met een grotere doorsnede, bijvoorbeeld 4x2,5mm² te gebruiken en dient u voor aarding in de nabijheid van de automatisering te zorgen.

N.B. 2: de twee kabels 2x0,25mm² kunnen door één enkele kabel 4x0,25mm² vervangen worden

N.B. 3: gebruik afgeschermd kabeltjes indien de lengte de 30 m overschrijdt, waarbij u de mantel alleen aan de kant van de besturingseenheid aardt.

N.B. 4: bij speciale toepassingen kan het noodzakelijk zijn meerdere contactlijsten te gebruiken. Als er meer dan een lijst aanwezig is, gelieve u de handleiding met aanwijzingen te raadplegen voor het aanbevolen type aansluiting.

N.B. 5: voor aansluiting van mobiele lijsten op schuifpoorten dienen inrichtingen gebruikt te worden waarmee het mogelijk is ook een bewegende vleugel aan te sluiten.

N.B. 6: het aantal draden dat noodzakelijk is om de mobiele of vaste lijsten aan te sluiten is afhankelijk van de techniek welke toegepast wordt om de verlangde veiligheids categorie te waarborgen. Het voorbeeld heeft betrekking op de lijsten TCB65 welke op de interfaces TCE aangesloten zijn.

3) Installatie

⚠ De installatie van TUB3500 mag uitsluitend door gekwalificeerde technici uitgevoerd te worden waarbij wetten, voorschriften en regels en hetgeen in deze aanwijzingen staat, in acht worden genomen.

3.1) Controles vooraf

Voor dat u met de installatie van TUB3500 begint, dient u onderstaande controles uit te voeren:

- Vergewis u ervan dat al het te gebruiken materiaal in een optimale staat is en geschikt is voor gebruik en conform de voorschriften.
- Controleer of de structuur van de poort ervoor geschikt is geautomatiseerd te worden.
- Controleer dat de poort een ten hoogste een gewicht van 3500 kg en een lengte van 30 m heeft.
- Controleer of er op de loop van de poort, zowel bij sluiting als opening, geen punten met een grotere wrijving zijn.
- Controleer of er geen ontsporingen van de vleugel bestaat en dat er geen gevaar bestaat dat de vleugel uit de geleiderails komt
- Controleer of de mechanische stops voorbij de loop van de vleugel sterk genoeg zijn waarbij u erop dient te letten dat er geen vervormingen ontstaan ook indien de vleugel hard op de stop mocht slaan.
- Controleer of de vleugel goed uitgebalanceerd is, d.w.z. de vleugel mag niet in beweging komen wanneer de manoeuvre ergens tijdens het openen of sluiten onderbroken wordt.
- Controleer of de plaats van bevestiging van de reductiemotor niet aan overstromingen blootgesteld is.; monteer de reductiemotor eventueel zo dat hij voldoende hoog van de grond is.
- Controleer of de bevestigingszone van de reductiemotor zodanig is dat de reductiemotor ontgrendeld kan worden en de manoeuvre gemakkelijk en veilig kan verlopen.
- Controleer dat de bevestigingspunten van de verschillende inrichtingen zich bevinden op een plaats die tegen schokken beschermd is en die voldoende stevig is.
- Zorg ervoor dat er geen enkel deel van het automatisme in water of een andere vloeistof terecht kan komen.

- Plaats TUB3500 niet in de nabijheid van open vuur of warmtebronnen; in een omgeving waar ontploffingsgevaar bestaat of die buitengewoon zuur of zout is; dit zou immers schade aan de TUB3500 kunnen veroorzaken en storingen of gevaarlijke situaties veroorzaken.
- Indien een voetgangersdoorgang deel uitmaakt van de vleugel of dat er een deur is binnen het gebied waarin de vleugel zich beweegt, dient u zich ervan te vergewissen dat deze de vleugel niet in diens beweging belemmert en zorg eventueel voor een adequaat systeem van onderling gekoppelde vergrendeling.
- Sluit de besturingseenheid aan op een geaarde elektriciteitsleiding.
- De leiding van de stroomvoorziening moet door een adequate beveiligingsschakelaar en aardlekschakelaar beschermd zijn.3

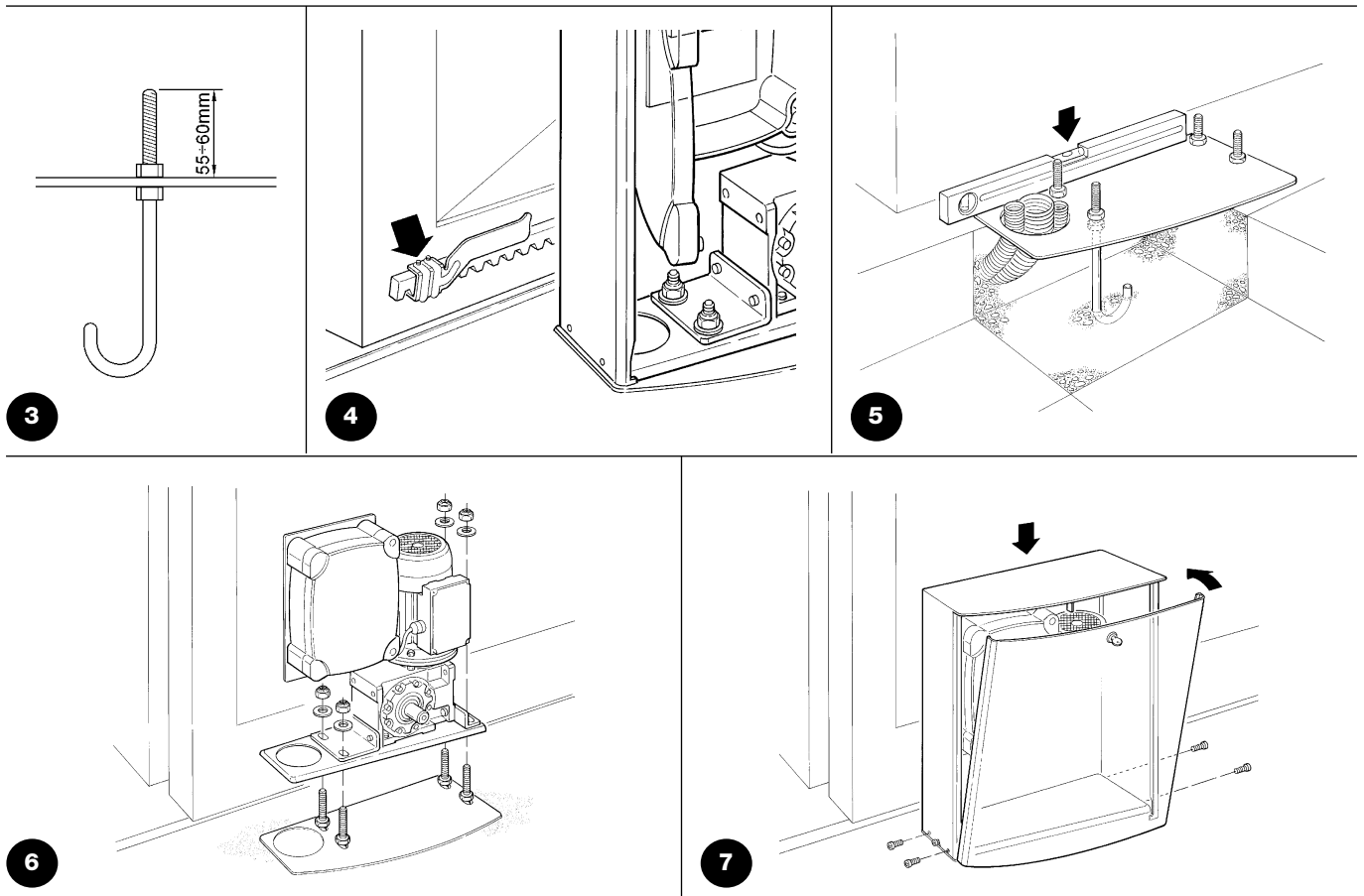
3.2) Bevestiging van de reductiemotor

Als er een reeds bestaand bevestigingsvlak is, dient de reductiemotor rechtstreeks op dat bevestigingsvlak aangebracht te worden, en wel met de juiste middelen zoals bijvoorbeeld keilbouten.

Anders gaat u voor bevestiging van de reductiemotor als volgt te werk:

1. Maak een funderingsput met de juiste afmetingen.
2. Leg een of meer buizen klaar waar de elektriciteitskabels doorheen moeten lopen zoals op afbeelding 5 te zien is.
3. Assembleer de 4 ankers op de funderingsplaat waarbij u een moer onder de plaat en een erboven plaatst (zie afbeelding 3) zodat het deel met de schroefdraad zover mogelijk buiten de plaat steekt.
4. Stort het cement en plaats de funderingsplaat voordat het cement gaat drogen; controleer dat de plaat parallel loopt aan de vleugel en volkomen waterpas ligt (zie afb. 5). Wacht totdat het cement volkomen droog is.
5. Verwijder de behuizing van de reductiemotor; hiertoe voert u de handeling in omgekeerde richting uit ten opzichte van die welke u op afbeelding 7 ziet.
6. Laat de reductiemotor op de funderingsplaat rusten en plaats hem perfect parallel aan de vleugel om hem vervolgens met toepassing van kracht aan de 4 meegeleverde ankers met de 4 moeren en de bijbehorende borgringen te bevestigen zoals dat op afbeelding 6 te zien is.
7. Ontgrendel het rondsel zoals dat in paragraaf "Ontgrendeling en handmatige manoeuvre" van het hoofdstuk "Aanwijzingen en aanbevelingen bestemd voor de gebruiker van de reductiemotor TUB3500", beschreven is.
8. Zet de vleugel helemaal open, laat het eerste deel van de tandheugel op het rondsel rusten en controleer of het begin van de tandheugel overeenkomt met het begin van de vleugel. Controleer of er tussen rondsel en tandheugel een speling van 2÷3 mm is, bevestig vervolgens de tandheugel met de juiste middelen op de vleugel.
9. Verplaats de vleugel en gebruik steeds het rondsel als referentiepunt voor de bevestiging van de andere elementen van de tandheugel.
10. Zaag het laatste overbodige deel van de tandheugel af.
11. Laat de vleugel meerdere keren open en dicht gaan en controleer of de tandheugel op één lijn op het rondsel loopt met een afwijking van ten hoogste 10-15 mm en dat er over de gehele lengte een speling van 2-3mm tussen rondsel en tandheugel is.
12. Bevestig de beugels van de eindschakelaars "Opening" en "Sluiting" met de desbetreffende stiften aan de uiteinden van de tandheugel (zie afbeelding 4). Denk eraan dat wanneer de eindschakelaars in werking komen, de vleugel nog ongeveer 2÷3 cm door schuift; het is dus raadzaam de beugels van de eindschakelaar met de juiste marge op de mechanische stops te bevestigen.
13. Voer de handeling van punt 7 in omgekeerde richting uit en zet het rondsel vast.
14. Bevestig de behuizing op TUB3500 zoals op afbeelding 7 aangegeven is en vergewis u ervan dat het hendeltje van de eindschakelaar boven het rondsel vrijelijk kan bewegen.
15. Sluit de deur van de reductiemotor en vergewis u ervan dat de veiligheidsmicroschakelaar die zich rechts van de elektromotor bevindt, ingeschakeld is.

⚠ Om te voorkomen dat het gewicht van de vleugel op de reductiemotor kan komen te rusten is het van belang dat er tussen de tandheugel en het rondsel een speling is van 2÷3mm.



3.3) Installering van de verschillende inrichtingen op de besturingseenheid.

Installeer alle inrichtingen volgens de aanwijzingen in kwestie. Controleer in de handleiding "MindyA500" welke inrichtingen op de TUB3500 kunnen worden aangesloten.

3.4) Elektrische aansluitingen.

⚠ Alle elektrische aansluitingen moeten zonder dat er stroom op de installatie staat en door ervaren en gekwalificeerd personeel in bezit van de vereiste capaciteiten met inachtneming van de wetten, voorschriften en regels uitgevoerd worden.

1. Om de deur van de besturingskast te openen en bij de elektronische besturingskaart van TUB3500 te kunnen komen dient u de 2 gele plastic schroeven te verwijderen.

2. Snijd de doorvoerbuizen onder de besturingseenheid op de juiste lengte af en voer daar alle elektriciteitskabels doorheen.
3. Zet alle kabels met een paar bandjes vast.
4. Volg bij het uitvoeren van de elektrische aansluitingen van de besturingseenheid alle aanwijzingen in de handleiding "MindyA500" nauwgezet op.!

4) Functioneringscontrole

Voordat u met de fase van controle en inbedrijfstelling van de automatisering start, is het raadzaam de vleugel ongeveer halverwege te zetten zodat deze vrijelijk open of dicht kan gaan.

4.1) Aansluiting op het elektriciteitsnet

⚠ De aansluiting op het elektriciteitsnet van TUB3500 dient uitgevoerd te worden door ervaren en gekwalificeerd personeel, in bezit van de vereiste capaciteiten, met inachtneming van de wetten, voorschriften en regels.

• Zodra de stroomtoevoer naar TUB3500 tot stand komt door de beveiligingsschakelaar op de schakelkast in te schakelen, dient u te controleren dat het ledlampje OK midden op de besturingseenheid begint te knipperen en dat het ledlampje van de ingang Foto brandt.

- Druk nu op het hendeltje van de microscharrelaar rechts van de elektromotor en controleer of ook de ledlampjes STOP en van de eindscharrelaars FCA en FCC gaan branden.
- Mocht hier iets niet van gebeuren, dan dient u onmiddellijk de stroomtoevoer te onderbreken en de elektrische aansluitingen nauwkeuriger te controleren.
- Meer nuttige informatie voor het zoeken en diagnosticeren van storingen vindt u in de handleiding van de besturingseenheid "MindyA500".

4.2) Controle van de richting

Bij een driefasemotor hangt de draairichting van de motor af van de verbinding van de 3 stroomfasen, waardoor het dus niet mogelijk is al bij voorbaat te weten of de motor in de gewenste richting loopt en of de eindscharrelaars in werking treden in de richting van de gevraagde manoeuvre. Voor het afstellen van de richting waarin de poort loopt dient u een en ander te controleren waarbij u de hieronder beschreven procedure volgt.

a. Controle draairichting motor:

Zet de poort halverwege en geeft vervolgens een instructie-impuls op de ingang Open van de besturingseenheid A500 (klemmetje 20) en controleer dat de poort ook daadwerkelijk een openingsmanoeuvre uitvoert. Als dat in orde blijkt te zijn, gaat u naar het volgende punt; anders sluit u onmiddellijk de stroom op de

besturingskast af en keert u de aansluiting van de kabels op de klemmetjes 3 en 4 van het klemmenbord van de A500 om; controleer opnieuw de draairichting van de motor.

b. Controle inwerkingtreding eindscharrelaars:

Tijdens de openingsmanoeuvre van de motor voordat de poort helemaal open staat dient u te simuleren dat de eindscharrelaar in de gevraagde richting in werking komt en te controleren of de manoeuvre onderbroken wordt. Als dat niet gebeurt, dient u onmiddellijk de stroom op de besturingskast te onderbreken en de aansluiting van de klemmetjes 10 en 12 van het klemmenbord van de A500 om te keren; controleer opnieuw of de eindscharrelaars in werking komen.

4.3) Controle manoeuvre van de poort

Nadat u de beugels van de eindscharrelaars (afbeelding 4) correct in de tandheugel hebt bevestigd, is het raadzaam enkele manoeuvres uit te voeren om te controleren of de poort correct functioneert.

1. Voer een openingsmanoeuvre uit:

a. controleer dat de poort bij opening een constante snelheid heeft;

b. controleer dat de beugel van de eindscharrelaar (afbeelding 4) de microscharrelaar in werking stelt waardoor de vleugel stopt; hierbij mag de vleugel maximaal nog 2-3cm doorlopen (let op want bij warmte zou het langer kunnen duren dat de vleugel stopt).

c. Wanneer de vleugel stil staat controleert u of de poort op 4-5cm van de aanslag tot stilstand is gekomen.

2. Voer een sluitmanoeuvre uit zoals punt 1.

3. Indien de vleugel meer dan 2-3 cm nodig heeft om tot stilstand te komen dient u de mechanische rem af te stellen zoals dat in paragraaf "5.1 Opleveringstest" is aangegeven.

4. Voer meerdere openings- en sluitmanoeuvres uit teneinde eventuele montage- of afstellingsfouten of andere niet normale zaken zoals bijvoorbeeld punten met een grotere wrijving vast te stellen.

5. Controleer of de bevestiging van de reductiemotor TUB3500, tandheugel en de beugels van de eindscharrelaar sterk en stevig zijn en ook tegen abrupte bewegingen bij het starten en stoppen van de poort bestand zijn.

5) Opleveringstest en inbedrijfstelling

Dit zijn de belangrijkste fasen bij de aanleg van de automatisering teneinde een zo groot mogelijke veiligheid te garanderen. De opleveringstest kan ook als periodieke controle voor de verschillende inrichtingen van de automatisering gebruikt worden

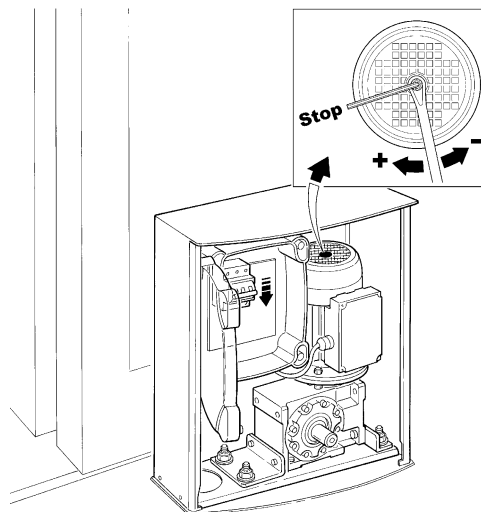
⚠ De opleveringstest van de gehele installatie moet door vakbekwaam en deskundig personeel uitgevoerd worden. Dat moet ook bepalen welke tests noodzakelijk zijn in functie van de bestaande gevaren en controleren of de wettelijke voorschriften, regelgeving en regels en met name alle vereisten van norm EN 12445, die de testmethodes voor de controle van automatiseringen voor poorten bepaalt, in acht genomen zijn.

5.1) Opleveringstest

Voor elk afzonderlijk onderdeel van het automatische, zoals bijvoorbeeld contactlijsten, fotocellen, noodstop, etc. is een specifieke fase in de opleveringstest vereist; voor deze inrichtingen zullen de procedures uit de desbetreffende handleidingen met aanwijzingen gevolgd moeten worden.

Voor de opleveringstest van TUB3500 dient u de volgende reeks handelingen te verrichten:

1. Controleer of de voorschriften van deze handleiding en met name die uit hoofdstuk "1 Aanbevelingen" nauwgezet in acht genomen zijn;
2. Voer onder gebruikmaking van de aansturing- of onderbrekingsinrichtingen (sleutelschakelaar, bedieningsknoppen of radiozenders), tests uit in verband met hen openen, sluiten en stoppen van de poort om na te gaan of de poort zich naar behoren gedraagt;
3. Controleer alle veiligheidsinrichtingen van de installatie (focellen, contactlijsten, noodstop, etc.) één voor één, of ze goed werken;
4. Gevaarlijke situaties welke door de bewegende vleugel veroorzaakt kunnen worden, worden voorkomen door de stootkracht van de vleugel te beperken; meet de stootkracht volgens de voorschriften van de norm EN 12445;
5. Controleer dat de afstand die de vleugel nodig heeft om tot stilstand te komen 2-3 cm is, stel anders de mechanische rem op de volgende manier af (afbeelding 8):
 - a. Draai de moer in de motoras met de wijzers van de kolk ongeveer een halve draai om;
 - b. Als een halve draai nog niet voldoende mocht blijken te zijn, draai de moer dan nog wat vaster;
 - c. Let erop de moer niet al te veel aan te draaien, omdat de elektromotor helemaal zou kunnen vastlopen.



8

⚠ Let op: voordat u de mechanische rem gaat afstellen, is het absoluut noodzakelijk de elektriciteit uit te schakelen door de beveiligingsschakelaar op de besturingseenheid op "OFF" te zetten.

5.2) Inbedrijfstelling

Inbedrijfstelling kan alleen plaatsvinden nadat alle fasen van de opleveringstest van TUB3500 en de andere aanwezige inrichtingen met succes zijn afgesloten.

Gedeeltelijke inbedrijfstelling of inbedrijfstelling in "tijdelijke" situaties is verboden.

1. Maak een technisch dossier van de automatisering en bewaar dat tenminste 10 jaar, dat tenminste bestaat uit: de overzichtstekening van de automatisering, het schema van de elektrische aansluitingen, een analyse van de risico's en de toegepaste oplossing daarvoor, de conformiteitsverklaringen van alle fabrikanten voor alle gebruikte inrichtingen (gebruik voor TUB3500 de bijgevoegde CE-Conformiteitsverklaring); kopie van de gebruiksaanwijzingen en het onderhoudsplan van de automatisering.
2. Breng een plaatje op de deur aan met daarop tenminste de volgende gegevens: type automatisering, naam en adres van de fabrikant (verantwoordelijk voor de "inbedrijfstelling"), serienummer, bouwjaar en "CE"-keurmerk.
3. Breng op de deur een niet te verwijderen etiket of plaatje aan waarop de handelingen zijn aangegeven voor het ontgrendelen en handmatig bewegen van de poort
4. Stel de conformiteitsverklaring voor de automatisering op en geef deze aan de eigenaar van de automatisering.
5. Maak de handleiding "Aanwijzingen en aanbevelingen voor het gebruik van de automatisering" en geef deze aan de eigenaar van de automatisering.
6. Maak een onderhoudsplan (met daarin de voorschriften voor het onderhoud van alle inrichtingen van de automatisering) en geef dit aan de eigenaar van de automatisering
7. Informeer vóór de inbedrijfstelling van de automatisering de eigenaar uitvoerig en schriftelijk (bijvoorbeeld in de handleiding met aanwijzingen en aanbevelingen voor het gebruik van de automatisering) over de nog aanwezige gevaren en risico's.

6) Onderhoud en afvalverwerking

In dit hoofdstuk vindt u de benodigde informatie voor uitvoering van het onderhoudsplan en de afvalverwerking van TUB3500.

6.1) Onderhoud

Om de veiligheid op een constant niveau te houden en een zo lang mogelijke levensduur van de gehele automatisering te waarborgen is regelmatig onderhoud vereist.

⚠ Het onderhoud moet uitgevoerd worden met volledige inachtneming van de veiligheidsvoorschriften van deze handleiding en volgens de van kracht zijnde wettelijke voorschriften en regelgeving.

Volg voor de andere inrichtingen die niet tot de TUB3500 behoren de aanwijzingen van het desbetreffende onderhoudsplan daarvoor.

1. Voor TUB3500 is een geprogrammeerde onderhoudsbeurt vereist die tenminste binnen 6 maanden of 3000 manoeuvres na de vorige onderhoudsbeurt uitgevoerd moet worden.

2. Koppel alle bronnen van elektrische stroomvoorziening los.
3. Controleer alle materialen waaruit de automatisering bestaat op kwaliteitsvermindering en let daarbij met name op aantasting of roestvorming van de structurele delen; vervang die delen welke onvoldoende garantie bieden.
4. Controleer de staat van slijtage van alle bewegende delen: rondsel, tandheugel en alle delen van de vleugel; vervang de versleten onderdelen.
5. Sluit de elektrische stroomvoorziening weer aan en voer alle test en controles uit zoals die in paragraaf "5.1 Opleveringstest" voorzien zijn.

6.2) Afvalverwerking

TUB3500 bestaat uit verschillende soorten materiaal, waarvan sommige hergebruikt kunnen worden (aluminium, kunststof, elektriciteitskabels); voor andere is afvalverwerking vereist.

⚠ Sommige elektronische componenten evenals de batterijen zouden vervuilende stoffen kunnen bevatten. Laat ze niet in het milieu achter. Stel u op de hoogte van de recyclingsystemen of afvalverwerking en houd u daarbij aan de plaatselijk geldende voorschriften.

1. Koppel alle bronnen van elektrische stroomvoorziening voor de automatisering los.

2. Demonteer alle inrichtingen en accessoires, waarbij u de procedure in omgekeerde volgorde volgt ten opzichte van die welke in hoofdstuk "3 Installatie" beschreven is
3. Scheid voor zover mogelijk die onderdelen die hergebruikt of verwerkt kunnen of moeten worden, zoals bijvoorbeeld de metalen delen van de kunststof delen, elektronische kaarten, etc.
4. Sorteer de diverse elektrische en recycleerbare materialen en geef deze aan bedrijven die zich met het hergebruik en de afvalverwerking daarvan bezighouden.

7) Technische gegevens

Teneinde haar producten steeds meer te perfectioneren behoudt NICE S.p.a. zich het recht voor op elk gewenst moment en zonder voorbericht wijzigingen in haar producten aan te brengen, waarbij functionaliteit en gebruiksbestemming echter gehandhaafd blijven.
N.B.: alle technische gegevens hebben betrekking op een omgevingstemperatuur van 20°C (±5%)

Technische gegevens: TUB3500

Typologie	Elektromechanische reductiemotor zelfremmend voor de automatische manoeuvre van schuifpoorten voor industriële toepassing compleet met elektronische besturingskast
Rondsel	Z= 18; Module=6; Breedte=18.8; Flankdiameter =108mm
Maximaal koppel bij de start	418Nm; overeenkomende met de capaciteit een vleugel in beweging te laten komen waarvan de statische wrijving een weerstand ontwikkelt tot 7740N
Nominaal koppel	190Nm; overeenkomende met de capaciteit een vleugel te laten bewegen als deze eenmaal loopt waarvan de dynamische wrijving een weerstand ontwikkelt tot 3520N
Snelheid bij nominaal koppel	0,167m/s (10m/min)
Maximaal aantal werkingscycli	200 cycli/dag
Maximumduur continue werking	30 minuten (de besturingseenheid voorziet in een continue werking van 120 seconden die in een andere werkingsduur van maximaal 210 seconden veranderd kan worden).
Gebruikslimieten	Over het algemeen kunt u met TUB3500 poorten met een maximumgewicht van 3500 kg en een maximumlengte van 30 m te automatiseren.
Stroomvoorziening	Driefasen 400Vac +/-10%; 50Hz.
Maximaal geabsorbeerd vermogen	550 W
Isoleringsklasse	1 (veiligheidsaarding is noodzakelijk)
Bedrijfstemperatuur	-20°C ÷ 50°C
Gebruik in bijzonder zure of zoute omgeving of met mogelijk ontploffingsgevaar	Nee
Beveiligingsklasse	IP 44
Afmetingen en gewicht	580X480X240; 60 kg

Andere technische gegevens vindt u in de aanwijzingen voor de besturingseenheid A500

Proficiat met de keuze van een product Nice voor uw automatisering!

Nice S.p.a. produceert componenten voor het automatiseren van poorten, deuren, rolpoorten, rolluiken en zonwering: reductiemotors, besturingseenheden, afstandsbedieningen, waarschuwingslichten, fotocellen en accessoires.

Nice gebruikt uitsluitend kwaliteitsmateriaal en -bewerkingen, en geroepen als zij zich voelt, zoekt ze naar vernieuwende oplossingen die haar apparaten - verzorgd in de technische esthetische en ergonomische aspecten - zo gebruiksvriendelijk mogelijk maakt: in het uitgebreide programma van Nice zal uw installateur ongetwijfeld dat product uitgekozen hebben dat het meest aan uw eisen beantwoordt.

Nice is echter niet de fabrikant van uw automatiseringsinstallatie, die daarentegen het resultaat is van analyse, evaluatie, keuze van materialen, en het aanleggen daarvan door uw vertrouwensinstallateur.

Elke automatisering is uniek en alleen uw installateur bezit de ervaring en het vakmanschap dat nodig is om een installatie volgens uw verlangens uit te voeren, veilig en betrouwbaar in de tijd, en vooral volgens de regelen der kunst, dat wil zeggen conform de geldende voorschriften. Een automatiseringsinstallatie is een groot gemak, een waardevol veiligheidssysteem en kan met een beetje aandacht tot in lengte van dagen duren.

Ook al beantwoordt de automatisering in uw bezit aan het in normen en wetten voorgeschreven veiligheidsniveau, dit sluit niet uit dat er een "restrisico" bestaat, dat wil zeggen de mogelijkheid dat er gevaarlijke situaties kunnen ontstaan, die gewoonlijk te wijten zijn aan onverantwoordelijk of zelfs verkeerd gebruik; hierom willen wij u enige adviezen geven hoe u met de automatisering dient om te gaan teneinde elk eventueel probleem te voorkomen:

• **Voordat u de automatisering voor de eerste maal gaat gebruiken**, is het raadzaam u door de installateur te laten uitleggen waar de restrisico's ontstaan, en enkele minuten van uw tijd te besteden aan het lezen van deze handleiding met aanwijzingen en **aanbevelingen voor de gebruiker** die de installateur u overhandigd heeft. Bewaar deze handleiding voor eventuele toekomstige twijfels en geef haar aan een eventuele nieuwe eigenaar van de automatisering.

• **Uw automatisering is een machine die getrouwelijk uw instructies opvolgt;** onverantwoordelijk en oneigenlijk gebruik kan maken dat het een gevaarlijke machine wordt: laat de automatisering niet werken als er zich mensen, dieren of zaken binnen haar bereik bevinden.

• **Kinderen:** een automatiseringsinstallatie biedt een hoge graad van veiligheid, doordat ze met haar beveiligingsystemen de manoeuvre bij aanwezigheid van mensen of zaken onderbreekt en altijd een voorspelbare en veilige activering garandeert. Het is in ieder geval verstandig kinderen te verbieden in de buurt van de installatie te spelen en de afstandsbedieningen buiten hun bereik te houden om te voorkomen dat de installatie per ongeluk in werking komt: **het is geen speelgoed!**

• **Storingen:** Zodra u constateert dat de automatiseringsinstallatie niet werkt zoals ze dat zou moeten doen, dient u de stroomtoevoer naar de installatie te onderbreken en haar handmatig te ontgrendelen. Probeer niet zelf te repareren, maar roep de hulp van uw vertrouwensinstallateur in: intussen kan de installatie werken als een niet geautomatiseerde toegang, wanneer u de reductiemotor op de hieronder beschreven manier ontgrendeld hebt.

• **Onderhoud:** Zoals elke machine heeft uw installatie periodiek onderhoud nodig om haar zo lang mogelijk en geheel veilig te laten werken. Stel met uw installateur een onderhoudsplan met periodieke frequentie op; Nice raadt bij normaal gebruik bij een woning een onderhoudsbezoek om het half jaar aan, maar dit tijdsbestek kan variëren in functie van een meer of minder intensief gebruik. Alle controle-, onderhouds- of reparatiewerkzaamheden mogen uitsluitend door gekwalificeerd personeel worden uitgevoerd.

• Ook al bent u van mening dit te kunnen doen, breng geen wijzigingen aan de installatie en de programmerings- en afstellingsparameters van uw automatiseringsinstallatie aan: uw installateur is aansprakelijk.

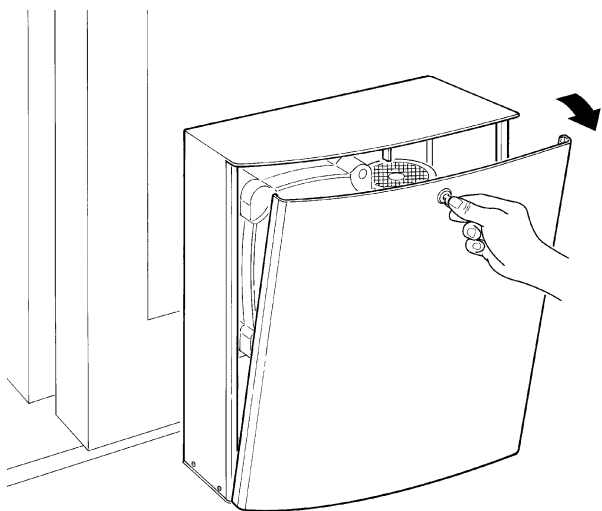
• De opleveringstest, de periodieke onderhoudswerkzaamheden en de eventuele reparatiewerkzaamheden dienen gedocumenteerd te worden door wie die uitvoert en de documenten dienen door de eigenaar van de installatie bewaard te worden.

• **Afvalverwerking:** Als de automatisering niet meer gebruikt kan worden, dient u zich ervan te vergewissen dat de sloop daarvan door gekwalificeerd personeel wordt uitgevoerd en dat het materiaal volgens de plaatselijk geldende voorschriften wordt hergebruikt of naar de afvalverwerking wordt gezonden.

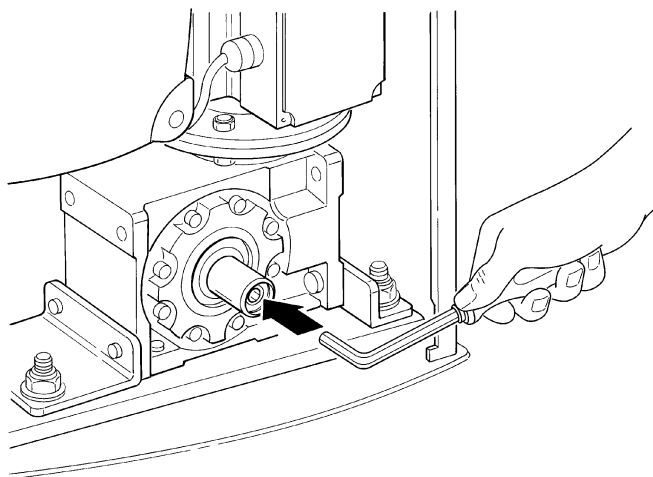
• **In geval van defecten of stroomuitval:** in afwachting van het bezoek van uw installateur, (of het terugkeren van de elektrische stroom als de installatie niet van bufferbatterijen voorzien is), mag de installatie gebruikt worden als elke andere niet-geautomatiseerde toegang. Hiertoe dient u de automatisering handmatig te ontgrendelen: aan deze handeling, die de enige is die de gebruiker van de automatisering mag uitvoeren, heeft Nice bijzonder veel aandacht besteed om u altijd een maximum aan gebruiksvriendelijkheid te garanderen, zonder dat u gereedschap moet gebruiken of fysieke kracht moet aanwenden.

Ontgrendeling en manoeuvre met de hand: voordat u deze handeling gaat uitvoeren dient u er aan te denken dat ontgrendeling alleen kan plaats vinden wanneer de vleugel stil staat.

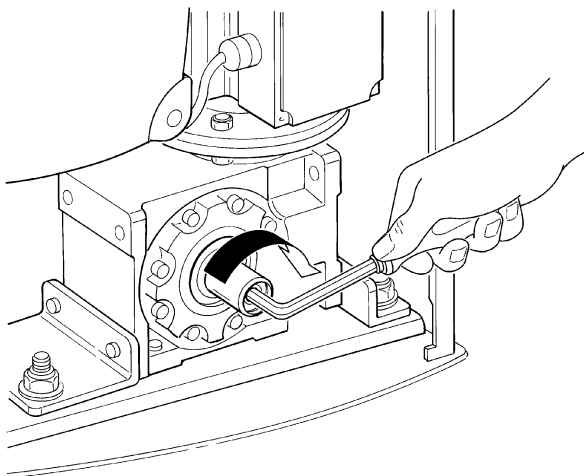
1. Open de deur van TUB3500 met de meegeleverde sleutel van afbeelding 9.
2. Pak de inbus sleutel en steek die in de as van afbeelding 10.
3. Draai de schroef die in de as zit **helemaal** vast, zoals op afbeelding 11 aangegeven is.
4. Verwijder de inbus sleutel en sluit de deur van TUB3500 weer.
5. Beweeg de vleugel met de hand zoals op afbeelding 12 aangegeven is.



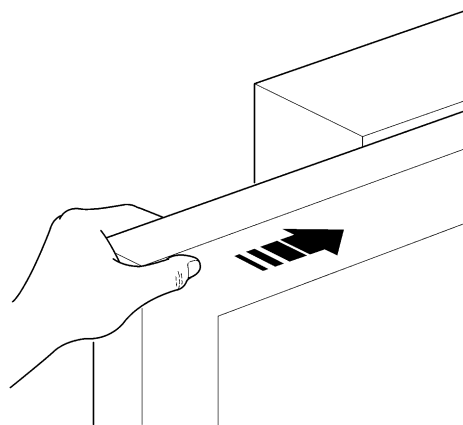
9



10



11



12

Voor vergrendeling: voer dezelfde handelingen in omgekeerde volgorde uit

In geval van storing dient u de automatisering zo snel mogelijk te laten repareren.

Bent u tevreden? Indien u in uw huis nog een nieuwe automatiseringsinstallatie zou willen, kunt u zich, wanneer u zich tot dezelfde installateur en Nice wendt, van de adviezen van een specialist en de meest geavanceerde producten op de markt verzekeren. Het resultaat: een automatisering die het best functioneert en een maximale compatibiliteit met de andere automatiseringen heeft.

Wij bedanken u voor het lezen van deze aanbevelingen, en wij hopen dat u veel plezier van uw nieuwe installatie zult hebben: wend u voor elke vraag, nu of in de toekomst, vol vertrouwen tot uw installateur.

Dichiarazione di conformità Declaration of Conformity

Dichiarazione CE di conformità secondo Direttiva 98/37/CE, Allegato II, parte B (dichiarazione CE di conformità del fabbricante)
According to Directive 98/37/EC, Annex II, part B (CE declaration of conformity by manufacturer)

Numero 193/TUB3500 Revisione: 0
Number Revision

Il sottoscritto Lauro Buoro in qualità di Amministratore Delegato, dichiara sotto la propria responsabilità che il prodotto
The undersigned Lauro Buoro, managing director, declares under his sole responsibility that the following product:

Nome produttore: NICE s.p.a.
Manufacturer's name

Indirizzo: Via Pezza Alta 13, 31046 Z.I. Rustignè, Oderzo (TV) Italia
Address

Tipo: Motoriduttore elettromeccanico trifase 400 V
Type electromechanical gearmotor

Modello: TUB3500
Model

Accessori: Ricevente opzionali K, BIO, FLO, FLOR, SCHEDA PIÙ
Accessories Mod. K; BIO; FLO; FLOR radio receiver, PIU' expansion card

Risulta conforme a quanto previsto dalle seguenti direttive comunitarie:
Satisfies the essential requirements of the following Directives

98/37/CE (ex 89/392/CEE) DIRETTIVA 98/37/CE DEL PARLAMENTO EUROPEO E DEL CONSIGLIO del 22 giugno 1998 concernente il ravvicinamento delle legislazioni degli Stati membri relative alle macchine
DIRECTIVE 98/37/CE COUNCIL of June 22, 1998, for the harmonisation of the legislations of member States regarding machines

Come previsto dalla direttiva 98/37/CE si avverte che non è consentita la messa in servizio del prodotto sopra indicato finché la macchina, in cui il prodotto è incorporato, non sia stata identificata e dichiarata conforme alla direttiva 98/37/CE.
As specified in the directive 98/37/CEE use of the product specified above is not admitted until the machine on which it is mounted has been identified and declared as conforming to the directive 98/37/CEE.

Inoltre il prodotto risulta conforme a quanto previsto dalle seguenti direttive comunitarie, così come modificate dalla Direttiva 93/68/CEE del consiglio del 22 Luglio 1993:
Furthermore, the product complies with the specifications of the following EC directives, as amended by the directive 93/68/CEE of the Euro-pean Council of 22 July 1993:

73/23/CEE DIRETTIVA 73/23/CEE DEL CONSIGLIO del 19 febbraio 1973 concernente il riavvicinamento delle legislazioni degli Stati membri relative al materiale elettrico destinato ad essere adoperato entro taluni limiti di tensione
73/23/ EEC DIRECTIVE 73/23/EEC OF THE COUNCIL of February 19, 1973 for the harmonisation of the legislations of member States regarding electrical equipment designed to be used within certain voltage limits

89/336/CEE DIRETTIVA 89/336/CEE DEL CONSIGLIO del 3 maggio 1989, per il riavvicinamento delle legislazioni degli Stati membri relative alla compatibilità elettromagnetica
89/336/ EEC DIRECTIVE 89/336/EEC OF THE COUNCIL of May 3, 1989, for the harmonisation of the legislations of member States regarding electromagnetic compatibility

Oderzo, 23 Luglio 2004
Oderzo, 23 July 2004


Amministratore Delegato
Managing Director
Lauro Buoro



COMPANY
WITH QUALITY SYSTEM
CERTIFIED BY DNV
=ISO 9001/2000=

 **Nice SpA**
Oderzo TV Italia
Tel. +39.0422.85.38.38
Fax +39.0422.85.35.85
info@niceforyou.com

 **Nice Padova**
Sarmeola di Rubano PD Italia
Tel. +39.049.89.78.93.2
Fax +39.049.89.73.85.2
infopd@niceforyou.com

 **Nice Roma**
Roma Italia
Tel. +39.06.72.67.17.61
Fax +39.06.72.67.55.20
inforoma@niceforyou.com

 **Nice France**
Buchelay
Tel. +33.(0)1.30.33.95.95
Fax +33.(0)1.30.33.95.96
info@fr.niceforyou.com

 **Nice Rhône-Alpes**
Decines Charpieu France
Tel. +33.(0)4.78.26.56.53
Fax +33.(0)4.78.26.57.53
info@lyon@fr.niceforyou.com


 **Nice France Sud**
Aubagne France
Tel. +33.(0)4.42.62.42.52
Fax +33.(0)4.42.62.42.50
infomarseille@fr.niceforyou.com

 **Nice Belgium**
Leuven (Heverlee)
Tel. +32.(0)16.38.69.00
Fax +32.(0)16.38.69.01
info@be.niceforyou.com

 **Nice España Madrid**
Tel. +34.9.16.16.33.00
Fax +34.9.16.16.30.10
info@es.niceforyou.com

 **Nice España Barcelona**
Tel. +34.9.35.88.34.32
Fax +34.9.35.88.42.49
info@es.niceforyou.com

 **Nice Polska**
Pruszków
Tel. +48.22.728.33.22
Fax +48.22.728.25.10
info@pl.niceforyou.com

 **Nice UK**
Chesterfield
Tel. +44.87.07.55.30.10
Fax +44.87.07.55.30.11
info@uk.niceforyou.com

 **Nice China**
Shanghai
Tel. +86.21.575.701.46
Fax +86.21.575.701.44
info@cn.niceforyou.com